



SPEED EX[™]

5-gallon self-contained extractor

- Deep clean in one pass thanks to dirt-lifting, double-tuft brush and powerful extraction system
- Easily reach into tight spaces with ultra low-profile design
- Clean longer and more comfortably with Insta-Adjust[™] ergonomic handle and low-effort brush assist operation

**Built to be tough.
Made to be easy.**



Small-area, ultra low-profile carpet extractor



Easily deep clean in just one pass! This compact extractor is the first choice for cleaning smaller, crowded carpeted spaces.

Clean powerfully

Deep clean across the entire cleaning path with two overlapping spray jets, powerful 0.4 hp brush motor, and double-tufted brush!

Clean easily

Quickly move around/under desks and tables with small, ultra low-profile design for extended cleaning reach.

Fill and empty — almost anywhere

Lift-off solution and recovery tanks can be filled under most faucets and emptied into most drains and sinks.



Engineered by Tennant Company, the Speed EX™ extractor is the smart, reliable choice for your no-nonsense cleaning needs.

Nobles

701 North Lilac Drive
Minneapolis, MN 55422

USA/Canada: +1.800.553.8033
Quebec: +1.800.361.9050

www.nobles.com
nobles@tennantco.com

Speed EX Specifications

Cleaning path width	15 in / 380 mm
Brush speed	1,200 rpm
Brush motor	0.4 hp / 0.30 kW
Solution/recovery tank	5 gal / 19 L
Water lift	86 in / 2,180 mm
Vacuum motor	1.2 hp / 0.89 kW
Sound level (operator ear)	69 dBA
Power cord	50 ft / 15 m
Warranty	See your local representative for warranty information

Optional tools available

Specifications subject to change without notice.



Model Part No. 9004201

Insta-Adjust™ Handle

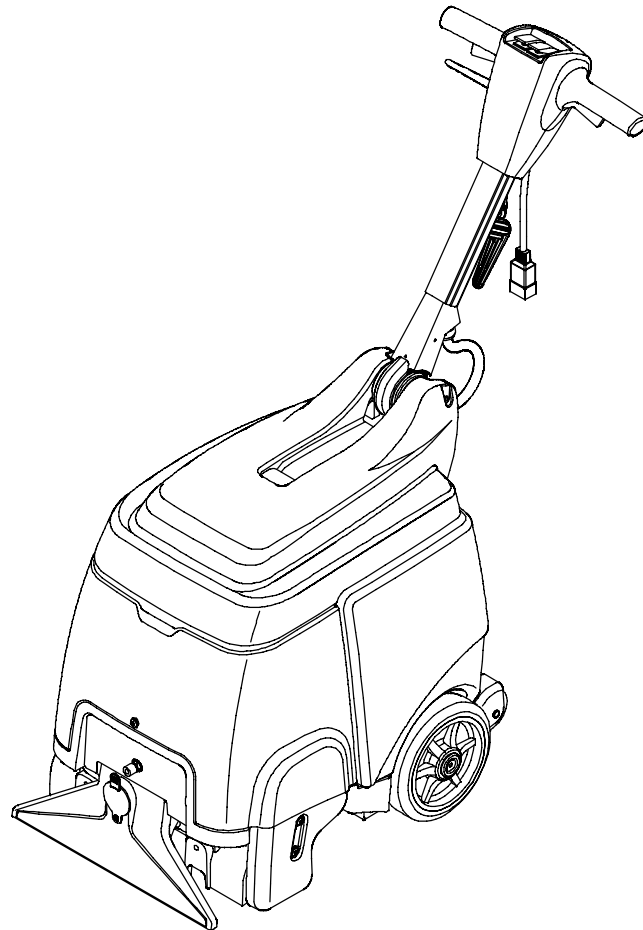
Hygenic™ Cleanable Tanks

Duramer™ Tank Construction

SPEED EX®

**CARPET EXTRACTOR
DEL ASPIRADOR PARA MOQUETAS
EXTRACTEUR DE MOQUETTE**

**OPERATOR MANUAL
MANUAL DEL OPERARIO
MANUEL OPÉRATEUR**



This manual is furnished with each new model. It provides necessary operation and maintenance instructions.


Read this manual completely and understand the machine before operating or servicing it.

A complete illustrated Parts Manual is also furnished with each new model. Use the Parts Manual to order replacement parts. To ensure prompt delivery, follow the "HOW TO ORDER PARTS" instructions printed in the Parts Manual.


This machine will provide excellent service. However, the best results will be obtained at minimum costs if:

- The machine is operated with reasonable care.
- The machine is maintained regularly - per the machine maintenance instructions provided.
- The machine is maintained with manufacturer-supplied or equivalent parts.

UNCRATING MACHINE: Carefully check carton for signs of damage. Report damages at once to carrier.



PROTECT THE ENVIRONMENT
Please dispose of packaging materials and old machine components in an environmentally safe way according to local waste disposal regulations.



Always remember to recycle.

Tennant Company
PO Box 1452
Minneapolis, MN 55440 USA
Phone: (800) 553-8033 or (763) 513-2850
www.nobles.com

Specifications and parts are subject to change without notice.

Copyright © 2008 TENNANT Company.
All rights reserved. Printed in China

MACHINE DATA

Please fill out at time of installation for future reference.

Model No. - _____

Serial No. - _____

Machine Options - _____

Sales Rep. - _____

Sales Rep. phone no. - _____

Customer Number - _____

Installation Date - _____

TABLE OF CONTENTS

SAFETY PRECAUTIONS	3
GROUNDING INSTRUCTIONS	4
SAFETY LABELS	4
MACHINE COMPONENTS	5
MACHINE SETUP	6
INSTALLING BRUSH	6
FILLING SOLUTION TANK	6
CONNECTING POWER CORD	7
MACHINE OPERATION	7
PRE-OPERATION	7
CLEANING CARPETS	7
CLEANING WITH ACCESSORY TOOLS (Option)	9
MACHINE MAINTENANCE	9
AFTER EACH USE	9
AFTER EVERY 100 HOURS OF USE	11
BRUSH MOTOR MAINTENANCE	11
STORING MACHINE	11
RECOMMENDED STOCK ITEMS	11
TROUBLESHOOTING	12
MACHINE SPECIFICATIONS	13
MACHINE DIMENSIONS	14

SAFETY PRECAUTIONS

This machine is intended for commercial use. It is designed exclusively to clean carpet and upholstery in an indoor environment and is not constructed for any other use. Use only manufacturer's recommended attachments.

All operators must read, understand and practice the following safety precautions.

The following warning alert symbol and the "FOR SAFETY" heading are used throughout this manual as indicated in their description:

⚠ WARNING: To warn of hazards or unsafe practices which could result in severe personal injury or death.

FOR SAFETY: To identify actions which must be followed for safe operation of equipment.

The following safety precautions signal potentially dangerous conditions to the operator or equipment.

⚠ WARNING: Fire Or Explosion Hazard

- Do Not Use or Pick Up Flammable Materials
- Only Use Commercially Available Floor Cleaners intended for machine application.
- Do Not Use Near Flammable Liquids, Vapors Or Combustible Dusts.

This machine is not equipped with explosion proof motors. The electric motors will spark upon start up and during operation which could cause a flash fire or explosion if machine is used in an area where flammable vapors/liquids or combustible dusts are present.

⚠ WARNING: Electrical Hazard

- Do Not Operate With Damaged Power Cord.
- Do Not Modify Power Cord Plug.
- Unplug Power Cord Before Servicing Machine.

If the power cord is damaged or broken, it must be replaced by the manufacturer or its service agent or a similarly qualified person in order to avoid a hazard.

⚠ WARNING: Spinning Brush. Keep Hands Away. Unplug Power Cord Before Servicing Machine.

⚠ WARNING: Electrical Shock Hazard. Do Not Use Outdoors. Do Not Expose To Rain. Store Indoors.

FOR SAFETY:

1. Do not operate machine:
 - Unless trained and authorized.
 - Unless operator manual is read and understood.
 - In an area where flammable vapors/liquids or combustible dusts are present.
 - Unless power cord is properly grounded. Only use the manufacturer-supplied power cord which is designed exclusively for this machine. Do not use additional extension cords.
 - Outdoors.
 - If not in proper operating condition.
 - In standing water.
2. Before operating machine:
 - Make sure all safety devices are in place and operate properly.
 - Place wet floor signs as needed.
3. When operating machine:
 - Do not run machine over power cord.
 - Do not pull machine by plug or power cord.
 - Do not pull power cord around sharp edges or corners.
 - Do not unplug by pulling on power cord.
 - Do not stretch power cord.
 - Do not handle plug with wet hands.
 - Keep power cord away from heated surfaces.
 - Report machine damage or faulty operation immediately.
 - Do not allow children to play on or around machine.
 - If foam or liquid begins to leak from machine, immediately shut off machine.
4. Before leaving or servicing machine:
 - Turn off machine.
 - Unplug power cord from wall outlet.
5. When servicing machine:
 - Unplug power cord from wall outlet.
 - Avoid moving parts. Do not wear loose jackets, shirts, or sleeves.
 - Do not power spray or hose off machine. Electrical malfunction may occur.
 - Use manufacturer-supplied or approved replacement parts.
 - All repairs must be performed by a qualified service person.
 - Do not modify the machine from its original design.
6. When transporting machine:
 - Unplug power cord from wall outlet.

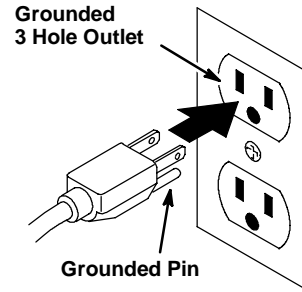
- Get assistance when lifting machine.
- Do not wheel up or down stairs.
- Use tie-down straps to secure machine to truck or trailer.

This machine is for use on a nominal 120-volt circuit and has a grounding attachment plug that looks like the plug illustrated below. Make sure that the machine is connected to an outlet having the same configuration as the plug. No adapter should be used with this machine.

GROUNDING INSTRUCTIONS

This machine must be grounded. If it should electrically malfunction, grounding provides a path of least resistance for electrical current to reduce the risk of electrical shock. This machine is equipped with a power cord having an equipment-grounding conductor and grounding plug. The plug must be plugged into an appropriate outlet that is properly installed in accordance with all local codes and ordinances.

⚠ WARNING: Improper connection of the equipment-grounding conductor can result in a risk of electric shock. Check with a qualified electrician or service person if you are in doubt as to whether the outlet is properly grounded. Do not modify the plug provided with the machine. If it will not fit the outlet, have a proper outlet installed by a qualified electrician.



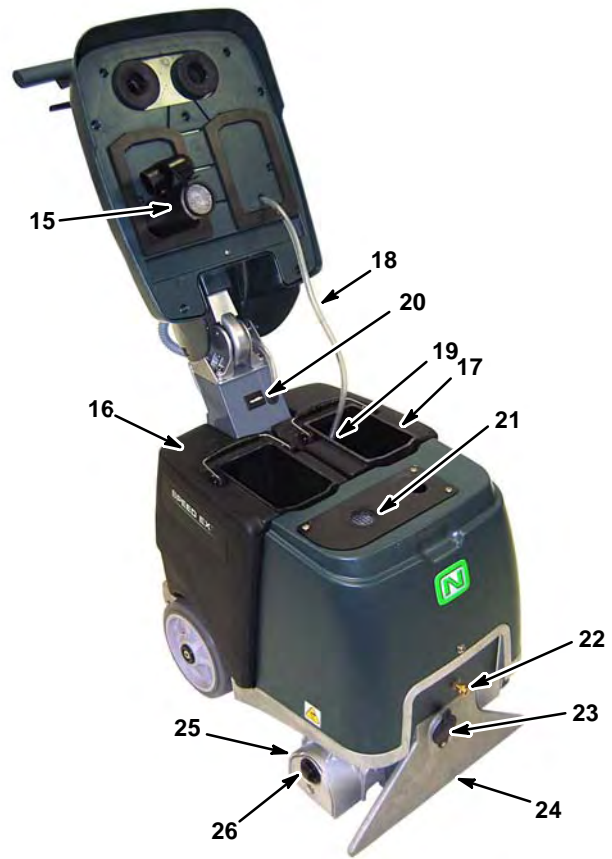
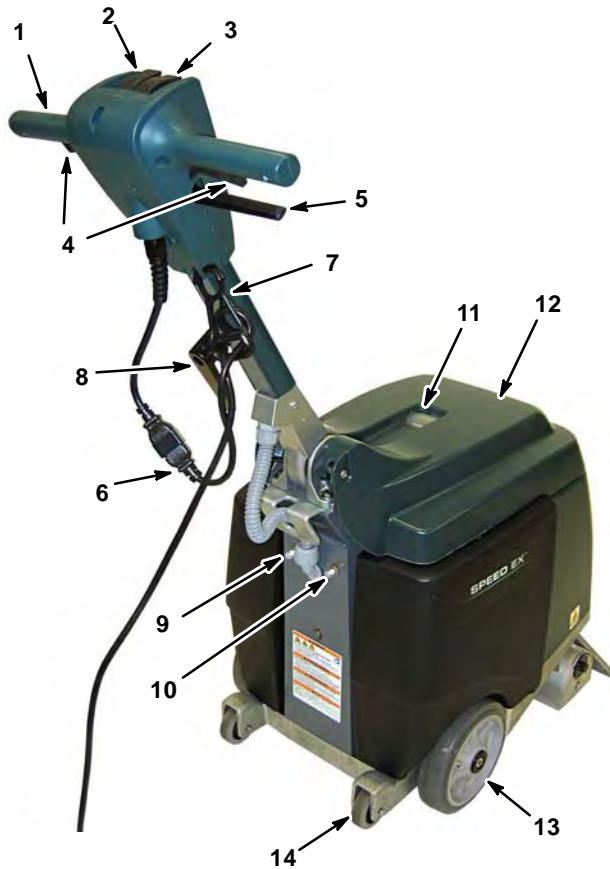
SAFETY LABELS

The safety labels appear on the machine in the locations indicated. Replace labels if they are missing or become damaged or illegible.



⚠ WARNING: Spinning brush. Keep hands away. Unplug power cord before servicing machine.







MACHINE COMPONENTS



- 1. Adjustable Control Handle
- 2. Main Power On/Off Switch
- 3. Cleaning Mode Switch
- 4. Start Triggers
- 5. Handle Adjustment Lever
- 6. 50 ft/15 m Power Cord
- 7. Power Cord Strain Relief Clip
- 8. Power Cord Hook
- 9. 15A Machine Circuit Breaker Button
- 10. 5A Brush Circuit Breaker Button
- 11. Recovery Window
- 12. Tank Cover
- 13. Main Wheels

- 14. Curb Climbing/Tilt Wheels
- 15. Vacuum Shut-Off Float
- 16. Recovery Tank
- 17. Solution Tank
- 18. Solution Hose
- 19. Solution Hose Screen
- 20. Hour meter
- 21. Vacuum intake Screen
- 22. Accessory Tool Solution Hose Coupler
- 23. Accessory Tool Vacuum Hose Port
- 24. Vacuum Shoe
- 25. Brush Base
- 26. Brush Idler Plate Locking Knob

SWITCH SYMBOLS

- | | | |
|---|--|--|
|  Power On |  Brush |  Vacuum |
|  Power Off |  Solution |  Accessory Tool |

MACHINE SETUP

INSTALLING BRUSH

FOR SAFETY: Before installing brush, turn off machine and unplug power cord from wall outlet.

1. Remove the brush idler plate from the brush base. Turn the idler plate locking knob counter-clockwise to remove (Figure 1).
2. Connect the slotted end of the brush to the drive hub (Figure 2).



FIG. 1

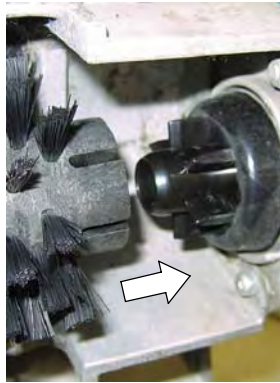


FIG. 2

3. Connect the idler plate to the brush and reinstall the idler plate. Make sure the idler plate hooks engage the brush base and that the locking knob is secure (Figure 3).



FIG. 3

NOTE: If storing the machine for an extended period, remove the brush to prevent a flat spot.

FILLING SOLUTION TANK

1. Lift the cover and remove the solution tank from the machine (Figure 4).
2. Fill the solution tank with 5 gal/19 L of clean water (122°F/50°C maximum temperature) (Figure 5). Partially fill if unable to lift a full tank.



FIG. 4



FIG. 5

ATTENTION: Do not use the recovery tank to fill the solution tank. Dirt from the recovery tank may cause damage to the solution pump.

⚠ WARNING: Fire Or Explosion Hazard, Do Not Use or Pick Up Flammable Materials.

3. Submerge the solution hose screen into the solution tank and close the cover.

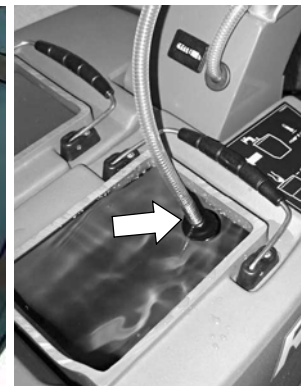


FIG. 6

CONNECTING POWER CORD

1. Plug the supplied power cord into the machine and attach the power cord to the strain relief clip as shown (Figure 7).

FOR SAFETY: Do not operate machine unless power cord is properly grounded. Only use the manufacturer-supplied power cord which is designed exclusively for this machine. Do not use additional extension cords.

2. Plug the power cord into a properly grounded wall outlet (Figure 8).



FIG. 7

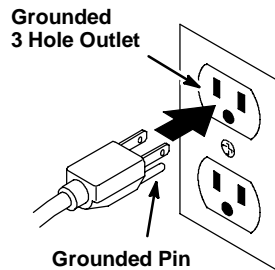


FIG. 8

⚠ WARNING: Electrical Hazard, Do Not Operate With Damaged Power Cord.

If the power cord is damaged or broken, it must be replaced by the manufacturer or its service agent or a similarly qualified person in order to avoid a hazard.

3. Wrap the power cord around the handle and cord hook when storing machine. To remove power cord, turn the cord hook upward (Figure 9).



FIG. 9

MACHINE OPERATION

FOR SAFETY: Do not operate machine unless operator manual is read and understood.

PRE-OPERATION

1. Inspect power cord for damage.
2. Vacuum the carpet and remove debris from area.
3. Using a pump-up sprayer, spray the carpet with an approved pre-treatment detergent (Figure 10).

Contact your dealer for recommended cleaning detergents.



FIG. 10

⚠ WARNING: Fire Or Explosion Hazard. Do Not Use Flammable Materials. Only Use Commercially Available Floor Cleaners intended for machine application.

CLEANING CARPETS

⚠ WARNING: Fire or Explosion Hazard, Do Not Use or Pick Up Flammable Materials.

1. Pull the handle adjustment lever and adjust the handle to a comfortable operating height (Figure 11). Release the lever to lock the position.



FIG. 11

2. Press the main power switch to the on (I) position (Figure 12).
3. Press the cleaning mode switch towards the vacuum/brush/solution mode (Figure 13).



FIG. 12

FIG. 13

4. To begin cleaning, pull the start triggers and slowly pull the machine backwards in a straight path (Figure 14).
5. Release the triggers at the end of the path and continue to pull the machine to pick up the excess solution.



FIG. 14

6. Tip the machine back to the rear tilt wheels (1) and push the machine forward to the beginning of the next path (2) (Figure 15). Overlap each path by 2 in/50 mm.

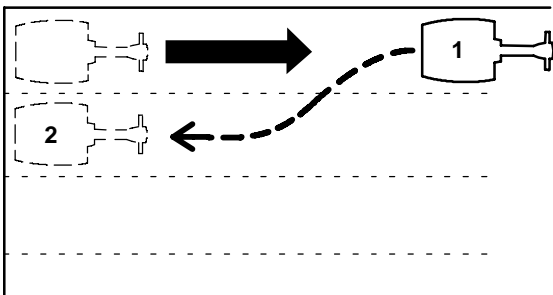


FIG. 15

FOR SAFETY: When operating machine, do not run machine over power cord.

7. View the water pickup from the recovery window (Figure 16). When the water pickup stops, unplug the power cord and empty the recovery tank.

The machine is equipped with a vacuum shut-off float that will automatically stop the water pickup when the recovery tank reaches the full point. A sudden change in vacuum motor sound will occur.



FIG. 16

ATTENTION: Check for excessive foam in the recovery tank. Empty tank if excessive. Foam may not activate the shut-off float which may result in vacuum motor damage.

FOR SAFETY: When operating machine, if foam or liquid begins to leak from machine, immediately shut off machine.

8. For heavily soiled areas, press the cleaning mode switch towards the brush mode or the brush/solution mode (Figure 17). This allows you to operate only the brush or the brush with solution as needed.

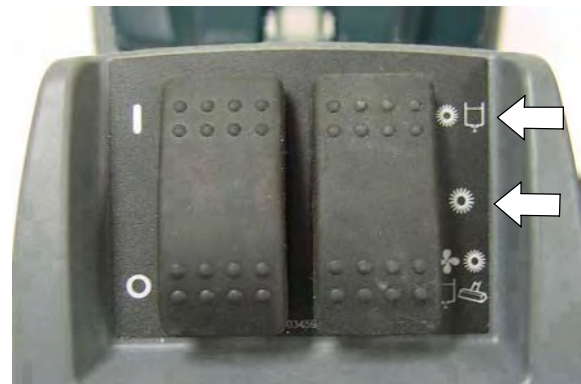


FIG. 17

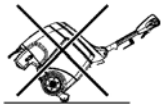
9. The brush circuit breaker will trip if the brush is obstructed. To reset the circuit breaker, unplug the power cord, remove the obstruction and reset the 5 amp circuit breaker button (Figure 18). If the circuit breaker does not reset immediately, allow the motor to cool.

FOR SAFETY: Before removing obstruction from brush unplug power cord from wall outlet.



FIG. 18

- When transporting machine, roll the machine on both the main and rear tilt wheels.



FOR SAFETY: When transporting machine, do not wheel up or down stairs.

CLEANING WITH ACCESSORY TOOLS (Option)

- Connect the accessory tool hoses to solution hose coupler and vacuum hose port located at the front of the machine (Figure 19).



FIG. 19

- Fill the solution tank (See FILLING SOLUTION TANK on page 6).
- Press the main power switch to the on (I) position (Figure 20). Press the cleaning mode switch towards the accessory tool mode (Figure 21).



FIG. 20



FIG. 21

- Operate the accessory tool (Figure 22).

⚠ WARNING: Fire or Explosion Hazard, Do Not Use or Pick Up Flammable Materials.



FIG. 22

MACHINE MAINTENANCE

To keep the machine in good working condition, simply follow the machine's maintenance procedures.

FOR SAFETY: Before performing maintenance procedures turn off machine and unplug power cord from wall outlet.

ATTENTION: Contact an Authorized Service Center for machine repairs.

AFTER EACH USE

- Wipe clean the power cord and inspect it for damage (Figure 23). Wrap power cord around handle and cord hook when not in use (Figure 24).



FIG. 23



FIG. 24

⚠ WARNING: Electrical Hazard, Do Not Operate With Damaged Power Cord.

If the power cord is damaged or broken, it must be replaced by the manufacturer or its service agent or a similarly qualified person in order to avoid a hazard.

2. Empty the recovery and solution tanks and thoroughly rinse with clean water (Figure 25).



FIG. 25

3. Clean the vacuum shut-off float (Figure 26) and the vacuum intake screen of any debris buildup (Figure 27).



FIG. 26



FIG. 27

4. Clean the solution hose screen (Figure 28).



FIG. 28

5. Clean the brush of any debris, string, hair or carpet fibers (Figure 29). Clean the underside of the brush base (Figure 30).

FOR SAFETY: Before tipping machine back, unplug power cord from wall outlet.



FIG. 29



FIG. 30

6. Clean the vacuum shoe slot of any debris (Figure 31).

FOR SAFETY: Before tipping machine back, unplug power cord from wall outlet.

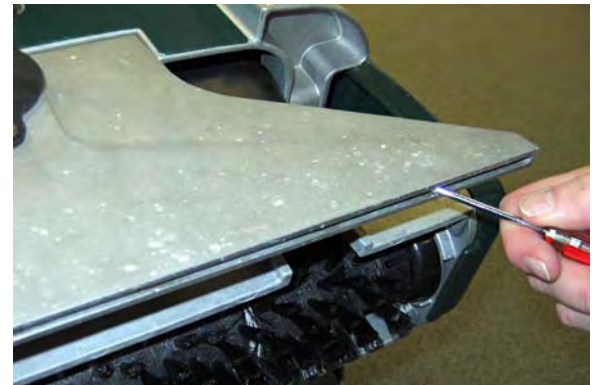


FIG. 31

7. Clean the machine with an all purpose cleaner and damp cloth (Figure 32).



FIG. 32

AFTER EVERY 100 HOURS OF USE

1. Flush the solution system with white vinegar to remove any chemical deposits. Pour 1/2 gal/2.2 L of white vinegar into the solution tank and operate the machine for 1-2 minutes, then let vinegar sit for up to six hours. Rinse solution system with water.
2. Remove the spray tips and soak in white vinegar to prevent clogging. Do not use a pointed object to clean out spray tip, damage will occur (Figure 33).

FOR SAFETY: When servicing machine, unplug power cord from wall outlet.



FIG. 33

BRUSH MOTOR MAINTENANCE

Contact an Authorized Service Center for carbon brush replacement.

Carbon Brush Replacement	Hours
Brush Motor	500

STORING MACHINE

Empty tanks and store the machine in a dry area in the upright position. Neatly wrap power cord around handle and cord hook. Remove the brush to prevent a flat spot.

If storing machine in freezing temperatures, purge solution system and pump from all water.

⚠ WARNING: Electrical Shock Hazard. Do Not Use Outdoors. Do Not Expose To Rain. Store Indoors.

RECOMMENDED STOCK ITEMS

Refer to the Parts List Manual for recommended stock items. Stock Items are clearly identified with a bullet preceding the parts description. See example below:

26	1017380	(00000000-)	• Hose, Drain, Assy, 1.5d X 29.5l, Blk,Ftx
27	1008639	(00000000-)	• Drain Assy
28	1019563	(00000000-)	• Strap, Drain Cap
29	1008637	(00000000-)	• O Ring, 1.48" Id, 1.76" Od

TROUBLESHOOTING

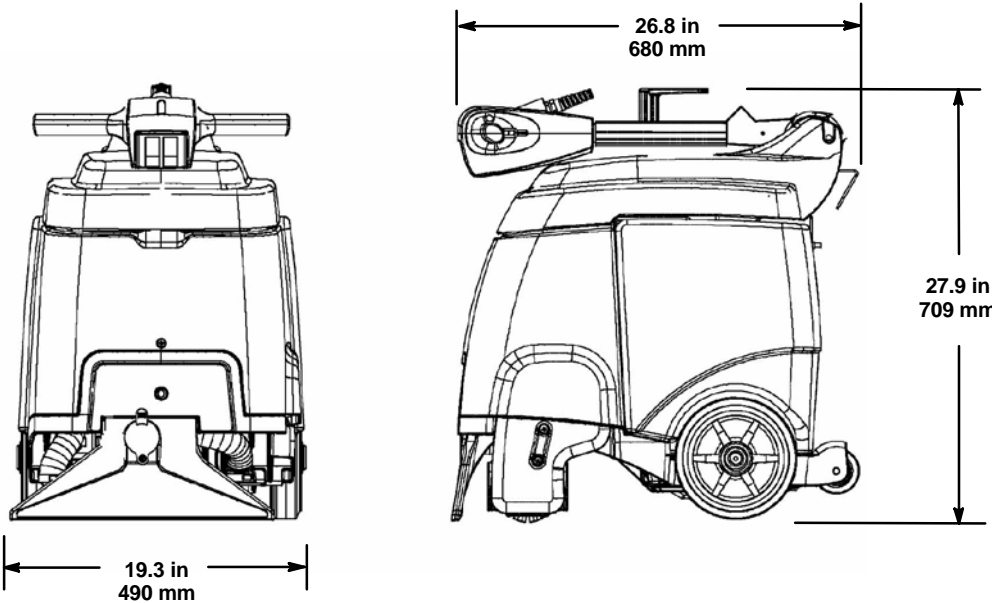
PROBLEM	CAUSE	SOLUTION
Machine does not operate.	Faulty power cord.	Replace power cord.
	Tripped circuit breaker.	Unplug power cord and determine cause. Reset 15 amp circuit breaker button. Contact Service Center if circuit breaker continues to trip.
Brush does not spin	Tripped circuit breaker.	Unplug power cord and inspect brush for obstruction. Reset 5 amp circuit breaker button.
	Broken brush belt.	Contact Service Center.
	Faulty brush motor or worn carbon brushes.	Contact Service Center.
Poor water pickup.	Loose accessory tool vacuum hose port cover located on vacuum shoe.	Check vacuum hose port cover.
	Clogged shut-off float.	Clean debris from shut-off float.
	Clogged vacuum intake screen.	Clean debris from intake screen.
	Clogged vacuum shoe.	Clean debris from vacuum shoe.
	Worn tank cover gaskets.	Replace gaskets.
	Clogged vacuum shoe hose.	Contact Service Center.
	Faulty vacuum motor.	Contact Service Center.
Uneven or no spray. (<i>Carpet Streaking</i>)	Incorrect cleaning mode.	Properly set cleaning mode switch.
	Clogged spray tips.	Clean or replace tips.
	Improper spray tip angle.	Adjust spray tip angle.
	Faulty spray tips.	Replace spray tips.
	Empty solution tank.	Refill solution tank.
	Clogged solution hose screen.	Clean debris from solution tank screen.
	Damaged solution hose.	Contact Service Center.
	Faulty solution pump.	Contact Service Center.

MACHINE SPECIFICATIONS

MODEL	Speed Ex
LENGTH	26.8 in / 680 mm with handle folded
WIDTH	19.3 in / 490 mm
HEIGHT	27.9 in / 709 mm with handle folded
WEIGHT	102 lb / 46.3 kg
SOLUTION TANK CAPACITY	5 gal / 19 L
RECOVERY TANK CAPACITY	5 gal / 19 L
PRODUCTIVITY RATE - AVG.	950 ft ² / 88 m ² /hr
CLEANING PATH WIDTH	15 in/ 380 mm
BRUSH PRESSURE	25 lb/ 11.3 kg
BRUSH MOTOR	120V, .4 hp/ .3 kW, 3.2 A, 1200 brush rpm
VACUUM MOTOR	120V, 1.2 hp/ .88 kW, 2-stage 5.7, 7.1 A
WATER LIFT-AIR FLOW	86 in / 2184 mm
SOLUTION PUMP	120V, 0.11 hp/ 0.081 kW, 2-stage 5.7, 0.7 A
SOLUTION FLOW RATE	.7 gal / 2.7 L/min
VOLTAGE	120 AC
TOTAL POWER CONSUMPTION	10.8 A
POWER CORD LENGTH	50 ft/15 m
DECIBEL RATING AT OPERATOR'S EAR, INDOORS*	69 dBA
PROTECTION GRADE	IPX3
VIBRATIONS AT CONTROLS	<2.0 m/s ²

*Sounds levels (ISO 11201) as recommended by the American Association of Cleaning Equipment Manufacturers (AACEM) and OSHA.

MACHINE DIMENSIONS



Este manual acompaña a los modelos nuevos e incluye las instrucciones necesarias para su utilización y mantenimiento.

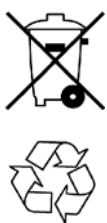
Lea todo el manual para familiarizarse con la máquina antes de utilizarla o realizar tareas de mantenimiento.

También se incluye un Manual de repuestos ilustrado en todos los modelos nuevos. Utilice el Manual de repuestos para pedir las piezas de recambio. Para que la entrega sea rápida, siga las instrucciones sobre "CÓMO SOLICITAR PIEZAS" impresas en el Manual de repuestos.

Esta máquina ofrece un funcionamiento excelente y puede obtener los mejores resultados con los mínimos costes si:

- Maneja la máquina con un cuidado razonable.
- Revisa la máquina periódicamente, de acuerdo con las instrucciones de mantenimiento adjuntas.
- Las operaciones de mantenimiento de la máquina se realizan con piezas suministradas por el fabricante o equivalentes.

DESEMBALADO DE LA MÁQUINA: Controle cuidadosamente si la caja presenta signos de deterioro. Si detecta desperfectos, informe inmediatamente al transportista.



PROTECCIÓN DEL MEDIO AMBIENTE

Deseche el material de embalaje y los componentes usados de la máquina de forma segura para el medio ambiente, de acuerdo con las normativas locales sobre desecho de residuos.

No olvide reciclar.

Tennant Company
 PO Box 1452
 Minneapolis, MN 55440 EE.UU.
 Teléfono: (800) 553-8033 o (763) 513-2850
 www.nobles.com

Las características técnicas y las piezas están sujetas a modificaciones sin previo aviso.

Copyright © 2008 TENNANT Company.
 Todos los derechos reservados. Impreso en China.

DATOS DE LA MÁQUINA

Rellénela cuando realice la instalación para utilizarla como referencia en el futuro.

Nº modelo: _____

Nº serie: _____

Opciones de la máquina: _____

Vendedor: - _____

Nº de teléfono del vendedor: _____

Nº de cliente: _____

Fecha de instalación: _____

ÍNDICE


MEDIDAS DE SEGURIDAD	16
INSTRUCCIONES PARA REALIZAR LA TOMA DE TIERRA	17
ADHESIVOS DE SEGURIDAD	18
COMPONENTES DE LA MÁQUINA	19
INSTALACIÓN DE LA MÁQUINA	20
MONTAJE DEL CEPILLO	20
LLENADO DEL DEPÓSITO DE DISOLUCIÓN	20
CONEXIÓN DEL CABLE ELÉCTRICO	21
FUNCIONAMIENTO DE LA MÁQUINA	21
ANTES DE LA PUESTA EN MARCHA	21
LIMPIEZA DE MOQUETAS	22
LIMPIEZA CON ACCESORIOS (Opcional) ..	23
MANTENIMIENTO DE LA MÁQUINA	24
DESPUÉS DE CADA USO	24
DESPUÉS DE CADA 100 HORAS DE USO ..	25
MANTENIMIENTO DEL MOTOR DEL CEPILLO	25
ALMACENAMIENTO DE LA MÁQUINA	26
STOCK RECOMENDADO DE REPUESTOS ...	26
LOCALIZACIÓN DE AVERÍAS	27
ESPECIFICACIONES DE LA MÁQUINA	28
DIMENSIONES DE LA MÁQUINA	28

MEDIDAS DE SEGURIDAD

Esta máquina está destinada al uso comercial. Está diseñada exclusivamente para limpiar moquetas y tapicerías en interiores y no es adecuada para ningún otro uso. Utilice solamente los accesorios recomendados del fabricante.

Todos los operarios deben leer, comprender y cumplir las siguientes medidas de seguridad.

A lo largo de todo el manual se utilizan los siguientes símbolos de advertencia y encabezados "PARA SU SEGURIDAD" descritos a continuación:

 **ADVERTENCIA:** Advierte sobre peligros o prácticas poco seguras que pueden provocar lesiones graves o mortales.

PARA SU SEGURIDAD: Identifica las operaciones que debe realizar para utilizar de forma segura del equipo.

Las siguientes medidas de seguridad hacen referencia a situaciones potencialmente peligrosas para el operario o el equipo.

 **ADVERTENCIA:** Peligro de incendio o de explosión


- No utilice ni recoja materiales inflamables.
- Utilice sólo limpiadores de suelos disponibles comercialmente específicos para máquinas.
- No utilice la máquina cerca de líquidos, polvos o vapores inflamables.


Esta máquina no está equipada con motores a prueba de explosiones. Los motores eléctricos producen chispas tanto durante el arranque como durante su utilización que pueden provocar incendios o explosiones si utiliza la máquina en presencia de líquidos o vapores inflamables o partículas combustibles.

 **ADVERTENCIA:** Peligro eléctrico

- No utilice la máquina si el cable eléctrico está deteriorado.
- No modifique el enchufe del cable eléctrico.
- Desconecte el cable eléctrico antes de realizar operaciones de mantenimiento en la máquina.

Si el cable eléctrico está deteriorado o roto, deberá ser sustituido por el fabricante, el servicio técnico del fabricante u otra persona igualmente cualificada para evitar riesgos.

 **ADVERTENCIA:** Cepillo giratorio. Mantenga alejadas las manos. Desconecte el cable eléctrico antes de realizar operaciones de mantenimiento en la máquina.

 **ADVERTENCIA:** Peligro de descarga eléctrica. No utilizar en exteriores. No exponga la máquina a la lluvia. Guárdela en un lugar cerrado.

PARA SU SEGURIDAD:

1. No utilice la máquina:
 - A no ser que cuente con la formación y autorización adecuada.
 - Si no ha leído y comprendido el Manual del operario.
 - En presencia de líquidos o vapores inflamables o partículas combustibles.
 - Salvo que el cable eléctrico esté conectado a una toma de tierra que funcione correctamente. Utilice sólo el cable eléctrico proporcionado por el fabricante diseñado exclusivamente para esta máquina. No utilice cables alargadores adicionales.
 - En el exterior.
 - Si la máquina no funciona correctamente.
 - Donde exista agua encharcada.
2. Antes de utilizar la máquina:
 - Asegúrese de que todos los dispositivos de seguridad están bien colocados y funcionan correctamente.
 - Coloque indicaciones de suelo mojado si lo considera necesario.
3. Al utilizar la máquina:
 - No pase la máquina por encima del cable eléctrico.
 - No tire del cable eléctrico ni del enchufe para desplazar la máquina.
 - No tire del cable eléctrico cuando se encuentre contra aristas o esquinas.
 - No desenchufe la máquina tirando del cable eléctrico.
 - No estire demasiado el cable eléctrico.
 - No toque el enchufe con las manos mojadas.
 - Mantenga el cable eléctrico alejado de superficies calientes.
 - Informe inmediatamente de las averías de la máquina o del mal funcionamiento de la misma.
 - No permita que los niños jueguen encima o alrededor de la máquina.
 - Si la máquina empieza a perder espuma o líquido, apáguela inmediatamente.
4. Antes de dejar la máquina o realizar operaciones de mantenimiento:
 - Apague la máquina.
 - Desenchufe el cable eléctrico del enchufe de la pared.

5. Cuando realice operaciones de mantenimiento:

- Desenchufe el cable eléctrico del enchufe de la pared.
- Evite el contacto con partes móviles. No vista chaquetas, camisas o mangas sueltas.
- No moje la máquina rociándola o utilizando una manguera. Pueden producirse fallos eléctricos.
- Utilice repuestos suministrados o aprobados por el fabricante.
- Todas las reparaciones debe realizarlas personal técnico cualificado.
- No modifique el diseño original de la máquina.

6. Al transportar la máquina:

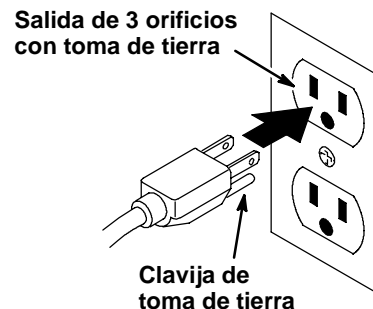
- Desenchufe el cable eléctrico del enchufe de la pared.
- Pida ayuda para levantar la máquina.
- No baje ni suba escaleras utilizando las ruedas de la máquina.
- Utilice las cintas para fijar la máquina al camión o remolque.

INSTRUCCIONES PARA REALIZAR LA TOMA DE TIERRA

La máquina debe estar conectada a una toma de tierra. En caso de funcionamiento eléctrico incorrecto, la toma de tierra proporciona el camino de menor resistencia a la corriente eléctrica reduciendo de este modo el riesgo de descarga eléctrica. La máquina cuenta con un cable eléctrico equipado con conductores y enchufe con toma de tierra. Conecte el enchufe a una toma de pared adecuada e instalada de acuerdo con las normativas y ordenanzas locales.

⚠ ADVERTENCIA: Una conexión inadecuada del cable con toma de tierra puede provocar una descarga eléctrica. Consulte a un electricista cualificado o a un miembro del personal técnico si tiene dudas sobre si el enchufe de pared tiene una toma de tierra adecuada. No modifique el enchufe proporcionado con la máquina. Si no encaja en la toma de pared, haga que un electricista cualificado instale un enchufe de pared adecuado.

Esta máquina está diseñada para utilizarse en un circuito de 120 voltios nominales y tiene un enchufe con toma de tierra como el que aparece en la siguiente ilustración. Asegúrese de que la máquina se conecta a una toma de pared con la misma configuración que el enchufe. No se debe utilizar ningún adaptador con esta máquina.



ADHESIVOS DE SEGURIDAD

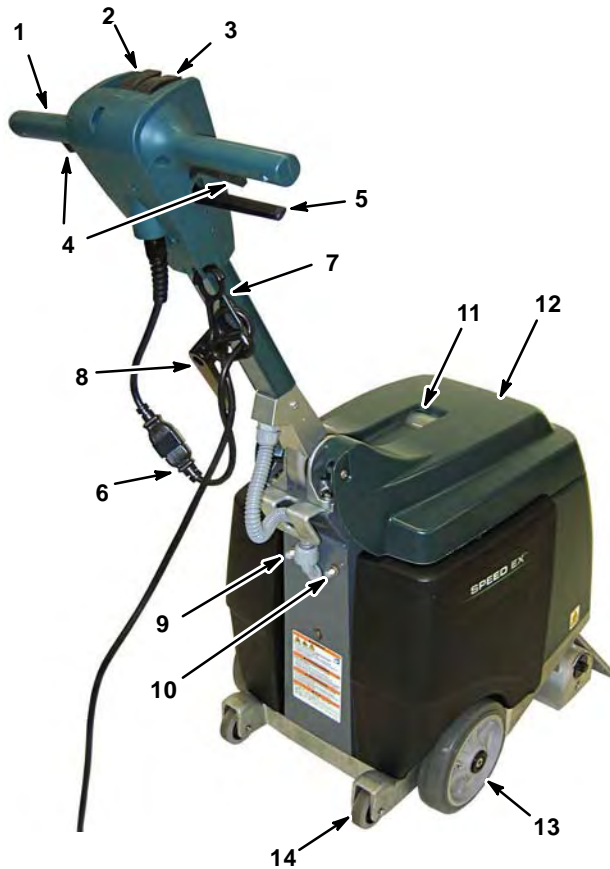
Los adhesivos de seguridad se encuentran en las posiciones indicadas a continuación. Sustituya los adhesivos si se han desprendido, están deteriorados o son ilegibles.

⚠ WARNING	
  	
<p>EXPLOSION, FIRE AND SHOCK HAZARD. AVOID INJURY.</p> <ul style="list-style-type: none"> • Do Not Use or Pick Up Flammable Materials. • Do Not Use Near Flammable Liquids, Vapors or Combustible Dusts. • Do Not Operate With Damaged Power Cord. Do Not Modify Plug. Unplug Power Cord Before Servicing Machine. • Do Not Use Outdoors. Do Not Expose to Rain. Store Indoors. 	
⚠ AVERTISSEMENT	
<p>RISQUE D'EXPLOSION, D'INCENDIE ET DE DÉCHARGE. ÉVITEZ LES BLESSURES.</p> <ul style="list-style-type: none"> • N'utilisez Pas ou Ne Ramassez Pas de Matériaux Inflammables. • N'utilisez Pas Près de Liquides, Vapeurs ou Poussières Inflammables. • N'utilisez Pas la Machine Avec un Cordon d'Alimentation Endommagé. Ne Modifiez Pas la Prise. Débranchez le Cordon d'Alimentation Avant d'Entretenir la Machine. • N'utilisez Pas en Extérieur. N'Exposez Pas à la Pluie. Entrezposez à l'Intérieur. 	
⚠ ADVERTENCIA	
<p>PELIGRO DE EXPLOSION, FUEGO, DESCARGA EVITE LESIONES.</p> <ul style="list-style-type: none"> • No Use o Recoja Materiales Flamables. • No Use Cerca de Líquidos Flamables, Vapores o Materiales Combustibles. • No Use Con Cable de Corriente Dañado. No Altere El Enchufe. Desconecte Cable de Corriente Antes Del Mantenimiento. • No Use Al Aire Libre. No Exponga a La Lluvia. Guarde Bajo Techo. 	
⚠ 警告	
<p>爆発、火災、またはショックの危険。 怪我に注意。</p> <ul style="list-style-type: none"> • 引火性物質を使用したり吸引しないでください。 • 可燃性液体、引火性気体、または粉塵の近くでは、使用しないでください。 • 破損した電源コードを使い作動させないでください。プラグを改造しないでください。本機を点検整備する前に、電源コードを抜いてください。 • 屋外では使用しないでください。雨に晒さないでください。屋内で保管してください。 	
1000105	



⚠ ADVERTENCIA: Cepillo giratorio. Mantenga alejadas las manos. Desenchufe el cable eléctrico antes de realizar operaciones de mantenimiento en la máquina.







COMPONENTES DE LA MÁQUINA



- 1. Mando de control ajustable
- 2. Interruptor de encendido/apagado principal
- 3. Interruptor de modo de limpieza
- 4. Accionadores de arranque
- 5. Palanca de ajuste del mango
- 6. Cable eléctrico de 50ft / 15 m
- 7. Clip de liberación de tensión del cable eléctrico
- 8. Gancho del cable eléctrico
- 9. Botón del cortacircuitos de la máquina de 15 A
- 10. Botón del cortacircuitos del cepillo de 5 A
- 11. Ventana de recuperación
- 12. Tapa del depósito
- 13. Ruedas principales

- 14. Ruedas para subir bordillos/para inclinación
- 15. Flotador de cierre de vacío
- 16. Depósito de recuperación
- 17. Depósito de disolución
- 18. Manguera de disolución
- 19. Rejilla de la manguera de disolución
- 20. Contador de horas
- 21. Rejilla de la toma de aspiración
- 22. Acoplador de la manguera de la disolución de los accesorios
- 23. Orificio de la manguera de vacío del accesorio
- 24. Zapata de vacío
- 25. Base del cepillo
- 26. Mando de bloqueo de la placa intermedia del cepillo

SÍMBOLOS DE LOS INTERRUPTORES

- | | | |
|---|--|--|
|  Encendido |  Cepillo |  Aspiración |
|  Apagado |  Disolución |  Accesorio |

INSTALACIÓN DE LA MÁQUINA

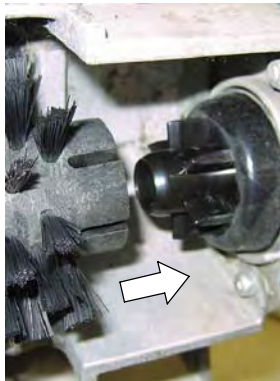
MONTAJE DEL CEPILLO

PARA SU SEGURIDAD: Antes de instalar el cepillo, apague la máquina y desenchufe el cable eléctrico.

1. Retire la placa intermedia del cepillo de la base del cepillo. Gire el mando de bloqueo de la placa intermedia hacia la izquierda para retirarla (Ilustración 1).
2. Conecte el extremo ranurado del cepillo al cubo de transmisión (Ilustración 2).



ILUST. 1



ILUST. 2

3. Conecte la placa intermedia al cepillo y vuelva a instalar la placa intermedia. Asegúrese de que los ganchos de la placa intermedia se acoplan a la base del cepillo y que el mando de bloqueo está fijado (Ilustración 3).



ILUST. 3

NOTA: Si va a almacenar la máquina durante un periodo de tiempo largo, retire el cepillo para evitar que se deforme.

LLENADO DEL DEPÓSITO DE DISOLUCIÓN

1. Levante la tapa y retire el depósito de disolución de la máquina (Ilustración 4).
2. Llene el depósito de disolución con 5 gal / 19 l de agua limpia (temperatura máxima de 122°F / 50°C) (Ilustración 5). Rellénelo parcialmente si no puede levantar un depósito lleno.



ILUST. 4

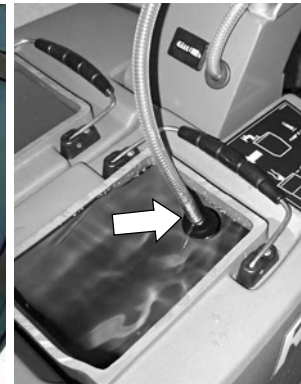


ILUST. 5

ATENCIÓN: No utilice el depósito de recuperación para llenar el depósito de disolución. La suciedad del depósito de recuperación puede provocar daños en la bomba de la disolución.

⚠ ADVERTENCIA: Peligro de incendio o de explosión. No utilice ni recoja materiales inflamables.

3. Sumerja la rejilla de la manguera de disolución en el depósito de disolución y cierre la tapa.



ILUST. 6

CONEXIÓN DEL CABLE ELÉCTRICO

1. Enchufe el cable eléctrico proporcionado a la máquina y sujételo al clip de liberación de tensión como se indica (Ilustración 7).

PARA SU SEGURIDAD: No utilice la máquina salvo que el cable eléctrico esté conectado a una toma de tierra que funcione correctamente. Utilice sólo el cable eléctrico proporcionado por el fabricante diseñado exclusivamente para esta máquina. No utilice cables alargadores adicionales.

2. Enchufe el cable eléctrico a una toma de la pared con toma de tierra (Ilustración 8).



ILUST. 7



ILUST. 8

⚠ ADVERTENCIA: Peligro eléctrico. No utilice la máquina si el cable eléctrico está deteriorado.

Si el cable eléctrico está deteriorado o roto, deberá ser sustituido por el fabricante, el servicio técnico del fabricante u otra persona igualmente cualificada para evitar riesgos.

3. Enrolle el cable eléctrico alrededor del mango y el gancho del cable cuando almacene la máquina. Para sacar el cable eléctrico, suba el gancho del cable (Ilustración 9).



ILUST. 9

FUNCIONAMIENTO DE LA MÁQUINA

PARA SU SEGURIDAD: No utilice la máquina salvo que haya leído y comprendido el manual del operario.

ANTES DE LA PUESTA EN MARCHA

1. Compruebe si el cable eléctrico está deteriorado.
2. Pase el aspirador por la moqueta y elimine otros residuos.
3. Utilice un pulverizador de bomba para pulverizar la moqueta con un detergente pretratamiento (Ilustración 10).

Póngase en contacto con su distribuidor para saber cuáles son los detergentes de limpieza recomendados.



ILUST. 10

⚠ ADVERTENCIA: Peligro de incendio o de explosión. No utilice materiales inflamables. Utilice sólo limpiadores de suelos comerciales específicos para máquinas.

LIMPIEZA DE MOQUETAS

⚠ ADVERTENCIA: Peligro de incendio o de explosión. No utilice ni recoja materiales inflamables.

1. Tire de la palanca de ajuste del mango y coloque el mango a una altura que le resulte cómoda para su uso (Ilustración 11). Suelte la palanca para bloquear la posición.



ILUST. 11

2. Coloque el interruptor de alimentación principal en la posición (I) (Ilustración 12).
3. Coloque el interruptor de modo de limpieza en el modo de aspiración/cepillo/disolución (Ilustración 13).



ILUST. 12



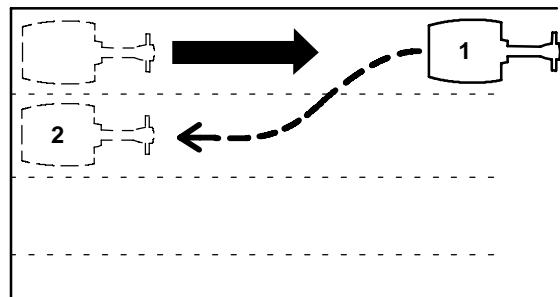
ILUST. 13

4. Para empezar a limpiar, tire de los accionadores de arranque y tire suavemente de la máquina hacia atrás siguiendo una trayectoria recta (Ilustración 14).
5. Suelte los accionadores al final de la pista y siga tirando de la máquina para recoger el exceso de disolución.



ILUST. 14

6. Incline la máquina hacia atrás, hacia las ruedas traseras para inclinación (1) y empuje la máquina hacia delante hasta el principio de la siguiente pista (2) (Ilustración 15). Haga que las pistas se superpongan 50 mm.



ILUST. 15

PARA SU SEGURIDAD: Cuando utilice la máquina, no la pase por encima del cable eléctrico.

7. Vea el agua que ha recogido la máquina por la ventana de recuperación (Ilustración 16). Cuando termine de recoger el agua, desenchufe el cable eléctrico y vacíe el depósito de recuperación.

La máquina cuenta con un flotador de cierre de vacío que detiene automáticamente la recogida de agua si el depósito de recuperación alcanza el punto de llenado. Se producirá un cambio repentino en el sonido del motor de aspiración.

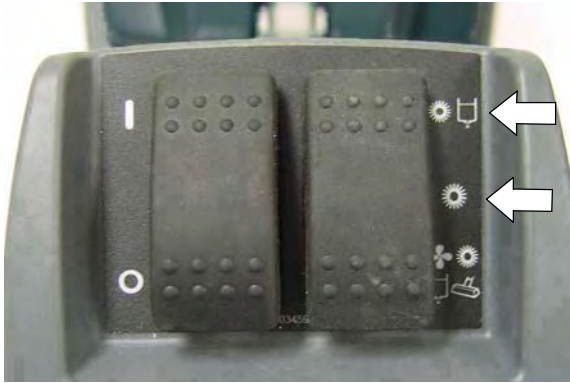


ILUST. 16

ATENCIÓN: Controle si existe un exceso de espuma en el depósito de recuperación. Vacíe el depósito si es así. Puede que la espuma no active el flotador de cierre, lo que podría dañar el motor de aspiración.

PARA SU SEGURIDAD: Si al utilizar la máquina ésta empieza a perder espuma o líquido, apáguela inmediatamente.

- En zonas muy sucias, coloque el interruptor de modo de limpieza en el modo de cepillo o de cepillo/disolución (Ilustración 17). Esto le permite utilizar únicamente el cepillo o el cepillo con disolución según sea necesario.



ILUST. 17

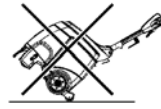
- El cortacircuitos del cepillo se activará si el cepillo se obstruye. Para restablecer el cortacircuitos, desconecte el cable eléctrico, retire la obstrucción y restablezca el botón del cortacircuitos de 5 A (Ilustración 18). Si el cortacircuitos no se restablece inmediatamente, espere a que el motor se enfríe.

PARA SU SEGURIDAD: Antes de retirar la obstrucción del cepillo, desenchufe el cable eléctrico de la toma de pared.



ILUST. 18

- Cuando transporte la máquina, desplácela sobre las ruedas principales y las ruedas traseras para inclinación.



PARA SU SEGURIDAD: Cuando transporte la máquina, no levante las ruedas ni baje escaleras con la máquina.

LIMPIEZA CON ACCESORIOS (Opcional)

- Conecte las mangueras accesorias al acoplamiento del conducto de disolución y al orificio de la manguera de aspiración situados en la parte delantera de la máquina (Ilustración 19).



ILUST. 19

- Llene el depósito de disolución (Consulte LLENADO DEL DEPÓSITO DE DISOLUCIÓN en la página 20).
- Coloque el interruptor de alimentación principal en la posición (I) (Ilustración 20). Coloque el interruptor de modo de limpieza en el modo de accesorios (Ilustración 21).



ILUST. 20



ILUST. 21

4. Haga funcionar el accesorio (Ilustración 22).

⚠ ADVERTENCIA: Peligro de incendio o de explosión. No utilice ni recoja materiales inflamables.



ILUST. 22

MANTENIMIENTO DE LA MÁQUINA

Para mantener la máquina en buenas condiciones de funcionamiento sólo tiene que realizar los procedimientos de mantenimiento de la máquina.

PARA SU SEGURIDAD: Antes de realizar los procedimientos de mantenimiento, apague la máquina y desenchufe el cable eléctrico de la toma de pared.

ATENCIÓN: Póngase en contacto con el Servicio Técnico Autorizado para realizar las reparaciones necesarias.

DESPUÉS DE CADA USO

1. Limpie el cable eléctrico y compruebe si está deteriorado (Ilustración 23). Enrolle el cable eléctrico alrededor del mango y el gancho del cable cuando no utilice la máquina (Ilustración 24).



ILUST. 23



ILUST. 24

⚠ ADVERTENCIA: Peligro eléctrico. No utilice la máquina si el cable eléctrico está deteriorado.

Si el cable eléctrico está deteriorado o roto, deberá ser sustituido por el fabricante, el servicio técnico del fabricante u otra persona igualmente cualificada para evitar riesgos.

2. Vacíe los depósitos de recuperación y de disolución y enjuáguelos bien con agua limpia (Ilustración 25).



ILUST. 25

3. Limpie el flotador de cierre de vacío (Ilustración 26) y la rejilla de la toma de aspiración eliminando los desperdicios acumulados (Ilustración 27).



ILUST. 26



ILUST. 27

4. Limpie la rejilla de la manguera de disolución (Ilustración 28).



ILUST. 28

5. Limpie el cepillo de residuos, cuerdas, pelo o fibras de la moqueta (Ilustración 29). Limpie la parte inferior de la base del cepillo (Ilustración 30).

PARA SU SEGURIDAD: Antes de inclinar la máquina hacia atrás, desconecte el cable eléctrico del enchufe de la pared.

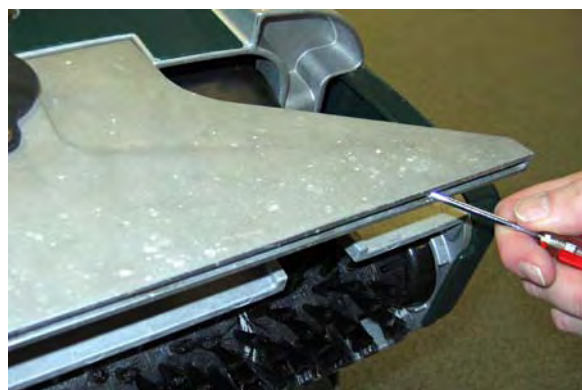


ILUST. 29

ILUST. 30

6. Limpie de residuos la ranura de la zapata de vacío (Ilustración 31).

PARA SU SEGURIDAD: Antes de inclinar la máquina hacia atrás, desconecte el cable eléctrico del enchufe de la pared.



ILUST. 31

7. Limpie la máquina con un limpiador general y un paño húmedo (Ilustración 32).

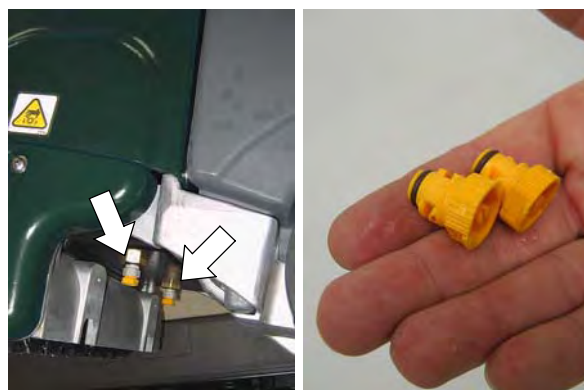


ILUST. 32

DESPUÉS DE CADA 100 HORAS DE USO

1. Lave el sistema de disolución con vinagre blanco para eliminar los depósitos químicos. Vierta 1/2 gal / 2,2 l de vinagre blanco en el depósito de disolución y accione la máquina durante 1-2 minutos; a continuación, deje reposar el vinagre un máximo de seis horas. Aclare con agua el sistema de disolución.
2. Retire las puntas de pulverización y sumérgalas en vinagre blanco para evitar atascos. No utilice objetos puntiagudos para limpiar la punta de pulverización o podría dañarla (Ilustración 33).

PARA SU SEGURIDAD: Desenchufe el cable eléctrico de la toma de pared antes de realizar operaciones de mantenimiento.



ILUST. 33

MANTENIMIENTO DEL MOTOR DEL CEPILLO

Póngase en contacto con el Servicio Técnico Autorizado para el reemplazo del cepillo de carbón.

Reemplazo del cepillo de carbón	Horas
Motor del cepillo	500

ALMACENAMIENTO DE LA MÁQUINA

Vacíe los depósitos y guarde la máquina en posición vertical en un lugar seco. Enrolle cuidadosamente el cable eléctrico alrededor del mango y el gancho del cable. Retire el cepillo para evitar que se deforme.

Si guarda la máquina a temperaturas inferiores a 0 °C, purgue el sistema de disolución y vacíe toda el agua.

⚠ ADVERTENCIA: Peligro de descarga eléctrica. No utilice la máquina al aire libre. No exponga la máquina a la lluvia. Guárdela en un lugar cerrado.

STOCK RECOMENDADO DE REPUESTOS

Consulte el Manual de repuestos para saber qué artículos conviene tener en stock. Los repuestos que debe tener en almacén se identifican fácilmente por la marca que precede a la descripción de las piezas. Consulte el siguiente ejemplo:

26	1017380	(00000000-) • Hose, Drain, Assy, 1.5d X 29.5l, Blk,Flx
27	1008639	(00000000-) • Drain Assy
28	1019563	(00000000-) • Strap, Drain Cap
29	1008637	(00000000-) • O Ring, 1.48" Id, 1.76" Od

LOCALIZACIÓN DE AVERÍAS

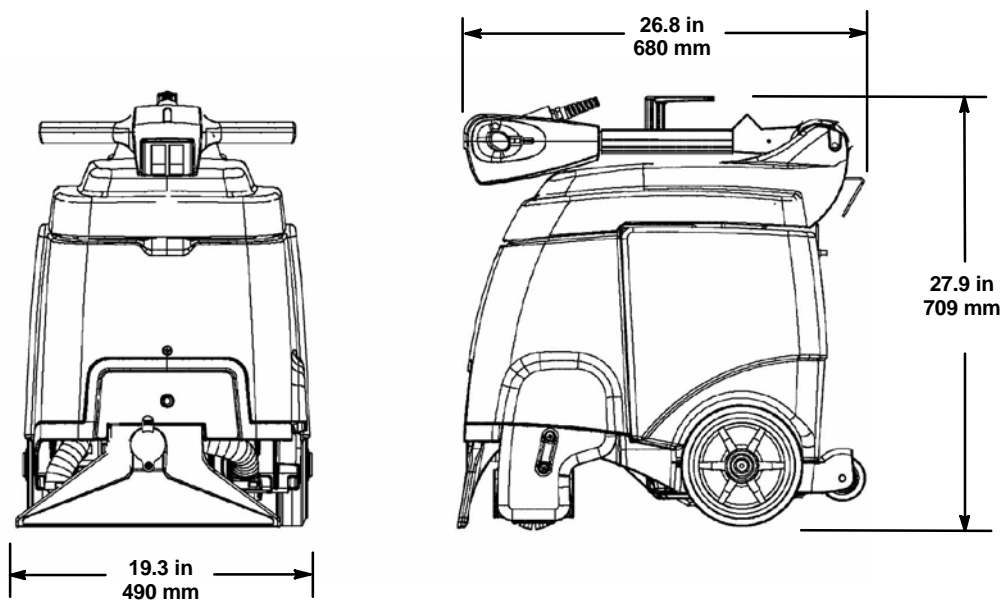
PROBLEMA	CAUSA	SOLUCIÓN
La máquina no funciona.	Cable eléctrico defectuoso.	Sustituir el cable eléctrico.
	Cortacircuitos activado.	Desenchufe el cable eléctrico y determine el motivo. Reajuste el botón del cortacircuitos de 15 A. Póngase en contacto con el Servicio Técnico si el cortacircuitos sigue activándose.
El cepillo no gira.	Cortacircuitos activado.	Desenchufe el cable eléctrico e inspeccione el cepillo en busca de una obstrucción. Reajuste el botón del cortacircuitos de 5 A.
	Correa del cepillo rota.	Póngase en contacto con el servicio técnico.
	Motor del cepillo defectuoso o cepillos de carbón desgastados.	Póngase en contacto con el servicio técnico.
Recogida de agua insuficiente.	Tapa del orificio de la manguera de aspiración accesoria que se encuentra en la zapata de vacío suelta.	Compruebe la tapa del orificio de la manguera de aspiración.
	Flotador de cierre bloqueado.	Limpie los residuos del flotador de cierre.
	Rejilla de la toma de aspiración bloqueada.	Limpie los residuos de la rejilla de la toma.
	Zapata de vacío bloqueada.	Limpie la zapata de vacío de residuos.
	Juntas de la tapa del depósito gastadas.	Sustituir las juntas.
	Manguera de la zapata de vacío bloqueada.	Póngase en contacto con el servicio técnico.
	Motor de aspiración defectuoso.	Póngase en contacto con el servicio técnico.
Pulverización irregular o inexistente. (Formación de marcas en la moqueta)	Modo de limpieza incorrecto.	Coloque el interruptor de modo de limpieza en la posición correcta.
	Puntas de pulverización atascadas.	Limpiar o sustituir las puntas.
	Ángulo incorrecto de la punta de pulverización.	Ajuste el ángulo de la punta de pulverización.
	Puntas de pulverización defectuosas.	Sustituir las puntas de pulverización.
	Depósito de disolución vacío.	Rellenar el depósito de la disolución.
	Rejilla de la manguera de disolución bloqueada.	Limpie los residuos de la rejilla del depósito de disolución.
	Manguera de disolución deteriorada.	Póngase en contacto con el servicio técnico.
	Bomba de la disolución defectuosa.	Póngase en contacto con el servicio técnico.

ESPECIFICACIONES DE LA MÁQUINA

MODELO	Speed Ex
LONGITUD	26.8 in / 680 mm con el mango plegado
ANCHURA	19.3 in / 490 mm
ALTURA	27.9 in / 709 mm con el mango plegado
PESO	102 lb / 46,3 kg
CAPACIDAD DEL DEPÓSITO DE DISOLUCIÓN	5 gal / 19 l
CAPACIDAD DEL DEPÓSITO DE RECUPERACIÓN	5 gal / 19 l
PRODUCTIVIDAD MEDIA	950 ft ² / 88 m ² /hr
ANCHURA DE LA PISTA DE LIMPIEZA	15 in / 380 mm
PRESIÓN DEL CEPILLO	25 lb / 11,3 kg
MOTOR DEL CEPILLO	120 V, 0,4 hp/0,3 kW, 3,2 A, 1200 rpm del cepillo
MOTOR DE ASPIRACIÓN	120 V, 1,2 hp/0,88 kW, 2 etapas de 5,7 y 7,1 A
ELEVACIÓN DEL AGUA / FLUJO DEL AIRE	86 in / 2184 mm
BOMBA DE LA DISOLUCIÓN	120 V, 0,11 hp/0,081 kW, 2 etapas de 5,7 y 0,7 A
FLUJO DE LA DISOLUCIÓN	0,7 gal / 2,7 l/min
TENSIÓN	120 de CA
CONSUMO ELÉCTRICO TOTAL	10,8 A
LONGITUD DEL CABLE ELÉCTRICO	50 ft / 15 m
NIVEL DE RUIDO EN DECIBELIOS A LA ALTURA DEL OPERARIO EN INTERIORES*	69 dBA
ÍNDICE DE PROTECCIÓN	IPX3
VIBRACIÓN EN CONTROLES	<2,0 m/s ²

*Nivel de ruidos (ISO 11201) recomendado por la American Association of Cleaning Equipment Manufacturers (AACEM) y la Occupational Safety & Health Administration (OSHA).

DIMENSIONES DE LA MÁQUINA



Ce manuel accompagne chaque nouveau modèle. Il contient les instructions de fonctionnement et d'entretien nécessaires.

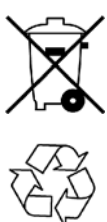
Lisez complètement ce manuel et familiarisez-vous avec la machine avant de l'utiliser ou de l'entretenir.

Une liste complète de pièces détachées avec illustrations accompagne également chaque nouveau modèle. Utilisez la liste de pièces détachées pour commander des pièces de rechange. Afin de garantir une livraison rapide, suivez les instructions "COMMENT COMMANDER DES PIÈCES DÉTACHÉES" figurant dans le manuel des pièces détachées.

Cette machine vous fournira d'excellents services. Toutefois, vous obtiendrez les meilleurs résultats pour un prix de revient minimum si:

- La machine est manipulée avec un certain soin.
- La machine fait l'objet d'un entretien régulier - conformément aux instructions d'entretien de ce manuel.
- L'entretien de la machine est effectué avec des pièces fournies par le fabricant ou des pièces équivalentes.

DÉBALLAGE DE LA MACHINE: Vérifiez soigneusement si le carton ne présente pas de dommages. Signalez immédiatement tout dommage au transporteur.



PROTECTION DE L'ENVIRONNEMENT

Veuillez éliminer les matériaux d'emballage et les composants usagés de l'appareil de manière à protéger l'environnement, conformément aux règlements locaux concernant l'élimination des déchets.

N'oubliez pas de toujours recycler.

Tennant Company

PO Box 1452
 Minneapolis, MN 55440 USA
 Phone: (800) 553-8033 or (763) 513-2850
 www.tennantco.com

Les spécifications et pièces sont susceptibles de modification sans préavis.

Copyright © 2008 TENNANT Company. Tous droits réservés. Imprimé en Chine

DONNÉES DE LA MACHINE

A remplir au moment de l'installation à titre de référence.

N° du modèle - _____

N° de série - _____

Options de la machine - _____

Agent commercial - _____

N° de tél. de l'agent commercial - _____

Numéro de client - _____

Date d'installation - _____

TABLE DES MATIÈRES

MESURES DE SÉCURITÉ	30
INSTRUCTIONS DE MISE À LA TERRE ...	31
ÉTIQUETTES DE MISE EN GARDE	32
COMPOSANTS DE LA MACHINE	33
MISE EN SERVICE DE LA MACHINE	34
MISE EN PLACE DES BROSSES	34
REPLISSAGE DU RÉSERVOIR DE SOLUTION	34
CORDON D'ALIMENTATION	35
FONCTIONNEMENT DE LA MACHINE	35
OPÉRATIONS PRÉLIMINAIRES	35
NETTOYAGE DES MOQUETTES	36
NETTOYAGE AVEC DES INSTRUMENTS (Option)	37
ENTRETIEN DE LA MACHINE	38
APRES CHAQUE UTILISATION	38
TOUTES LES 100 HEURES DE SERVICE ..	39
ENTRETIEN DU MOTEUR DE BROSE ...	40
ENTREPOSAGE DE LA MACHINE	40
ARTICLES DE STOCK RECOMMANDÉS	40
DÉPISTAGE DES PANNES	41
CARACTÉRISTIQUES TECHNIQUES DE LA MACHINE	42
DIMENSIONS DE LA MACHINE	42

MESURES DE SÉCURITÉ

Cette machine est conçue pour un usage commercial. Elle est destinée exclusivement au nettoyage des moquettes et tissus d'ameublement dans un environnement intérieur et ne convient pas à un quelconque autre usage. Utilisez uniquement les accessoires recommandés par le fabricant.

Tous les opérateurs sont tenus de lire et comprendre les consignes de sécurité suivantes et de se familiariser avec celles-ci.

Le symbole de mise en garde suivant et l'en-tête « POUR VOTRE SECURITE » sont utilisés tout au long de ce manuel comme indiqué dans leur description :

⚠ ATTENTION: identifie la présence de dangers ou les opérations dangereuses susceptibles de blesser grièvement ou de provoquer la mort.

POUR VOTRE SÉCURITÉ: identifie les instructions qui doivent être suivies afin de garantir la sécurité lors de l'utilisation de l'équipement.

Les consignes de sécurité ci-après indiquent les situations potentiellement dangereuses pour l'opérateur ou pour l'équipement.

⚠ ATTENTION: Danger d'incendie ou d'explosion

- N'Utilisez Pas ou ne Ramassez Pas de Matériaux Inflammables.
- Utilisez uniquement des nettoyeurs pour sol disponibles dans le commerce et prévus pour une utilisation avec la machine.
- N'utilisez Pas de liquides ou vapeurs inflammables ou de poussières combustibles.

Cette machine n'est pas équipée de moteurs protégés contre les explosions. Les moteurs électriques émettent des étincelles au moment du démarrage et pendant leur fonctionnement, ce qui peut entraîner un incendie instantané ou une explosion si la machine est utilisée dans une zone où des vapeurs/liquides inflammables ou des poussières combustibles sont présents.

⚠ ATTENTION: Danger électrique

- N'utilisez pas la machine avec un cordon d'alimentation endommagé.
- Ne modifiez pas la prise.
- Débranchez le cordon d'alimentation avant d'entretenir la machine.

Si le cordon d'alimentation est endommagé ou rompu, il doit être remplacé par le fabricant, son agent de maintenance ou toute autre personne qualifiée, afin d'éviter tout danger.

⚠ ATTENTION: Brosse en rotation. Éloignez vos mains. Débranchez le cordon d'alimentation avant d'entretenir la machine.

⚠ ATTENTION: Risque d'électrocution. Ne pas utiliser à l'extérieur. N'exposez pas à la pluie. Entrez à l'intérieur.

POUR VOTRE SÉCURITÉ:

1. N'utilisez pas la machine:
 - Si vous n'y êtes pas formé et autorisé.
 - Avant d'avoir lu et compris le manuel opérateur.
 - Dans une zone où des liquides/vapeurs inflammables ou des poussières combustibles sont présents.
 - Si le cordon n'est pas correctement relié à la terre. Utilisez uniquement le cordon d'alimentation fourni par le fabricant et conçu exclusivement pour cette machine. N'utilisez pas de rallonges de câbles supplémentaires.
 - Extérieur.
 - Si elle n'est pas en bon état de marche.
 - Dans l'eau stagnante.
2. Avant d'utiliser la machine:
 - Assurez-vous que tous les dispositifs de sécurité se trouvent à leur place et fonctionnent correctement.
 - Placez les signes SOL HUMIDE si nécessaire.
3. Lorsque vous utilisez la machine:
 - Ne roulez pas sur le câble d'alimentation avec la machine.
 - Ne tirez pas la machine par la prise ou le cordon.
 - Ne tirez pas sur le cordon d'alimentation près des bords ou des coins vifs.
 - Ne débranchez pas l'appareil en tirant sur le cordon.
 - N'étirez pas le cordon.
 - Ne manipulez pas la prise avec des mains mouillées.
 - Éloignez le cordon d'alimentation des surfaces chaudes.
 - Signalez immédiatement tout dommage occasionné à la machine ou tout mauvais fonctionnement.
 - Empêchez les enfants de jouer à proximité de la machine.

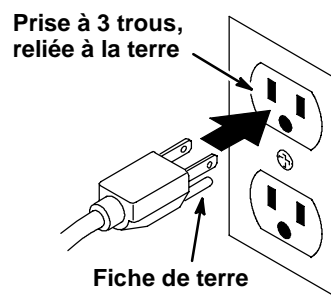
- Si de la mousse ou du liquide commence à fuir de la machine, coupez-la immédiatement.
4. Avant de quitter ou d'entretenir la machine:
 - Coupez le contact de la machine.
 - Débranchez le cordon d'alimentation de la prise murale.
 5. Lors de l'entretien de la machine:
 - Débranchez le cordon d'alimentation de la prise murale.
 - Évitez les pièces mobiles. Ne portez pas de veste ou de chemise large ou de manches amples.
 - N'utilisez pas de jet de pression sur la machine. Un dysfonctionnement électrique risque de se produire.
 - Utilisez des pièces de rechanges fournies ou agréées par le fabricant.
 - Toutes les réparations doivent être effectuées uniquement par un technicien qualifié.
 - Ne modifiez pas le design d'origine de la machine.
 6. Lors du transport de la machine:
 - Débranchez le cordon d'alimentation de la prise murale.
 - Demandez de l'aide pour soulever la machine.
 - Ne roulez pas dans les escaliers.
 - Utilisez des sangles pour arrimer la machine sur le camion ou la remorque.

INSTRUCTIONS DE MISE À LA TERRE

Cet appareil doit être relié à la terre. En cas de dysfonctionnement ou de panne, la mise à la terre offre une voie de moindre résistance au courant électrique, afin de réduire le risque de décharge électrique. Cette machine est équipée d'un cordon muni d'un conducteur de terre principale et d'une fiche avec mise à la terre. La fiche doit être branchée sur une prise appropriée montée correctement, conformément aux réglementations et codes en vigueur au niveau local.

⚠ ATTENTION : Une connexion impropre du conducteur de mise à la terre de l'équipement peut engendrer un risque de choc électrique. Si vous avez un doute sur la mise à la terre de la prise de courant, faites examiner la prise par un électricien qualifié ou un technicien de dépannage. Ne modifiez pas la fiche fournie avec la machine. Si elle ne rentre pas dans la prise, utilisez une prise appropriée installée par un électricien qualifié.

Cet appareil est prévu pour une utilisation sur un circuit nominal de 120 volts et il possède une fiche de mise à la terre qui ressemble à la fiche illustrée sur le croquis. Veillez à ce que la machine soit branchée sur une prise de courant ayant la même configuration que la fiche. Cette machine ne doit pas être utilisée avec un adaptateur.



ÉTIQUETTES DE MISE EN GARDE

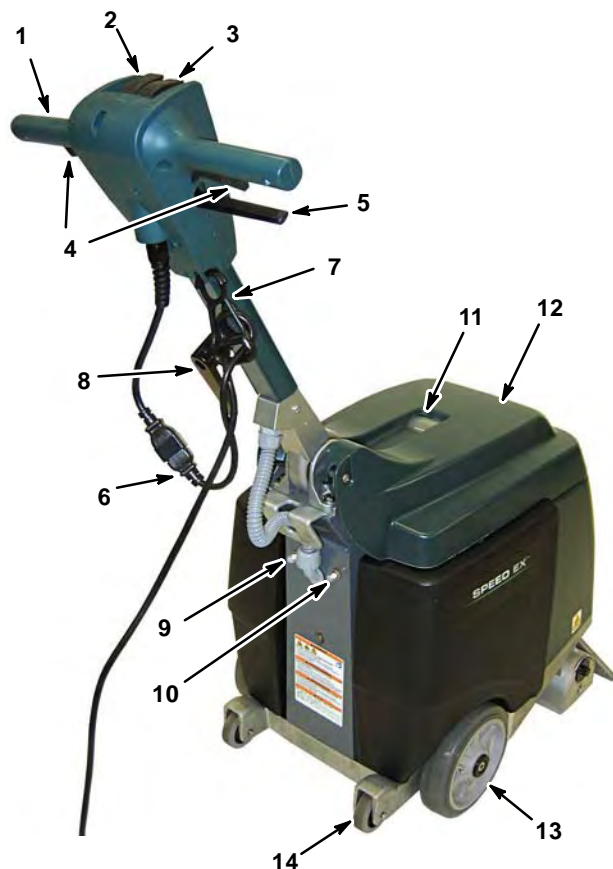
Les étiquettes de mise en garde se trouvent sur la machine aux endroits indiqués. Remplacez les étiquettes lorsqu'elles sont endommagées ou qu'elles deviennent illisibles.

⚠ WARNING	
  	
<p>EXPLOSION, FIRE AND SHOCK HAZARD. AVOID INJURY.</p> <ul style="list-style-type: none"> • Do Not Use or Pick Up Flammable Materials. • Do Not Use Near Flammable Liquids, Vapors or Combustible Dusts. • Do Not Operate With Damaged Power Cord. Do Not Modify Plug. Unplug Power Cord Before Servicing Machine. • Do Not Use Outdoors. Do Not Expose to Rain. Store Indoors. 	
⚠ AVERTISSEMENT	
<p>RISQUE D'EXPLOSION, D'INCENDIE ET DE DÉCHARGE. ÉVITEZ LES BLESSURES.</p> <ul style="list-style-type: none"> • N'utilisez Pas ou Ne Ramassez Pas de Matériaux Inflammables. • N'utilisez Pas Près de Liquides, Vapeurs ou Poussières Inflammables. • N'utilisez Pas la Machine Avec un Cordon d'Alimentation Endommagé. Ne Modifiez Pas la Prise. Débranchez le Cordon d'Alimentation Avant d'Entretenir la Machine. • N'utilisez Pas en Extérieur. N'Exposez Pas à la Pluie. Entrezposez à l'Intérieur. 	
⚠ ADVERTENCIA	
<p>PELIGRO DE EXPLOSION, FUEGO, DESCARGA EVITE LESIONES.</p> <ul style="list-style-type: none"> • No Use o Recoja Materiales Flamables. • No Use Cerca de Líquidos Flamables, Vapores o Materiales Combustibles. • No Use con Cable de Corriente Dañado. No Altere el Enchufe. Desconecte Cable de Corriente Antes del Mantenimiento. • No Use al Aire Libre. No Exponga a la Lluvia. Guarde Bajo Techo. 	
⚠ 警告	
<p>爆発、火災、またはショックの危険。怪我に注意。</p> <ul style="list-style-type: none"> • 引火性物質を使用したり吸引しないでください。怪我に注意。 • 可燃性液体、引火性気体、または粉塵の近くでは、使用しないでください。 • 破損した電源コードを使い作動させないでください。プラグを改造しないでください。本機を点検整備する前に、電源コードを抜いてください。 • 屋外では使用しないでください。雨に濡さないでください。屋内で保管してください。 	
1000105	



⚠ MISE EN GARDE :
Brosse en rotation. Éloignez vos mains. Débranchez le cordon d'alimentation de la machine avant de l'entretenir.

COMPOSANTS DE LA MACHINE



1. Poignée de commande réglable
2. Commutateur principal (ON/OFF)
3. Bouton de mode nettoyage
4. Déclencheurs de démarrage
5. Levier d'ajustement de hauteur de poignée
6. Cordon d'alimentation de 50 ft / 15 m
7. Pince de décharge de traction de cordon d'alimentation
8. Crochet de cordon d'alimentation
9. Bouton de coupe-circuit de la machine 15A
10. Bouton de coupe-circuit de la brosse 5A
11. Regard du réservoir de récupération
12. Couvercle du réservoir
13. Roues principales

14. Roues de montée / basculement
15. Sectionneur d'extraction à détecteur à flotteur
16. Réservoir de récupération
17. Réservoir de solution
18. Tuyau de solution
19. Grille du tuyau de solution
20. Compteur horaire
21. Grille d'admission d'extracteur
22. Raccord du tuyau du réservoir de solution
23. Orifice du tuyau d'aspiration de l'accessoires
24. Sabot d'extraction
25. Base de brosse
26. Bouton de blocage du plateau intermédiaire de la brosse

SYMBOLES DU COMMUTATEUR

■ Marche

☀ Brosse

✻ Extracteur

○ Arrêt

☒ Solution

☒ Accessoires

MISE EN SERVICE DE LA MACHINE

MISE EN PLACE DES BROSSES

POUR VOTRE SÉCURITÉ: Coupez l'alimentation de la machine et débranchez le cordon d'alimentation de la prise murale.

1. Retirez le plateau intermédiaire de la brosse. Tournez la poignée dans le sens contraire des aiguilles d'une montre pour la retirer (Figure 1).
2. Connectez l'extrémité rainurée de la brosse sur le moyeu d'entraînement (Figure 2).



FIG. 1

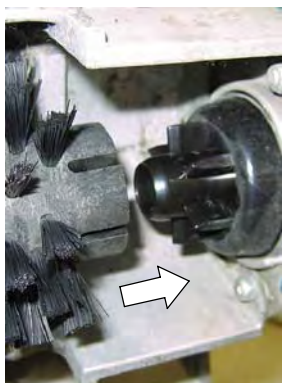


FIG. 2

3. Connectez le plateau intermédiaire sur la brosse et réinstallez le plateau intermédiaire. Assurez-vous que le plateau intermédiaire s'engage sur la base de la brosse et que le bouton de blocage est bien serré (Figure 3).



FIG. 3

Notez: Quand vous entreposez la machine pour une longue période, déplacez la brosse pour éviter traces de brosse.

REPLISSAGE DU RÉSERVOIR DE SOLUTION

1. Soulevez le couvercle et retirez le réservoir de solution de la machine (Figure 4).
2. Remplissez le réservoir avec 5 gal / 19 l d'eau claire (Température max. 122°F / 50°C) (Figure 5). Remplissez partiellement si vous êtes incapable de soulever le réservoir plein.



FIG. 4



FIG. 5

ATTENTION: N'utilisez pas le réservoir de récupération pour remplir le réservoir de solution. La saleté peut endommager la pompe de la solution.

⚠ ATTENTION: Danger d'incendie ou d'explosion, N'Utilisez Pas ou ne Ramassez Pas de Matériaux Inflammables.

3. Plongez l'écran de la solution dans le réservoir et fermez le couvercle.

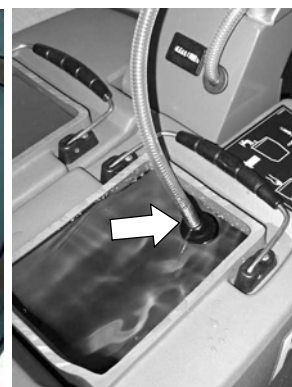


FIG. 6

CORDON D'ALIMENTATION

1. Branchez le cordon d'alimentation sur la machine et fixez le cordon sur la pince de décharge de traction comme illustré (Figure 7).

POUR VOTRE SÉCURITÉ: N'utilisez la machine que si le cordon est correctement relié à la terre. Utilisez le cordon d'alimentation fourni par le fabricant et conçu exclusivement pour cette machine. N'utilisez pas de rallonges de câble supplémentaires.

2. Branchez le cordon d'alimentation sur une prise murale reliée à la terre (Figure 8).



FIG. 7

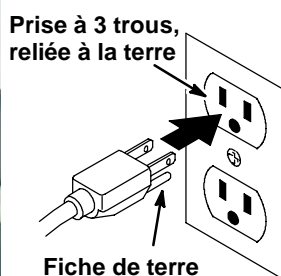


FIG. 8

⚠ ATTENTION: Danger électrique, n'utilisez pas la machine avec un cordon d'alimentation endommagé.

Si le cordon d'alimentation est endommagé ou rompu, il doit être remplacé par le fabricant ou son agent de maintenance ou toute autre personne qualifiée, afin d'éviter tout danger.

3. Enroulez le cordon d'alimentation autour de la poignée et du crochet lorsque vous entreposez la machine. Pour retirer le cordon d'alimentation, tournez le crochet vers le haut. (Figure 9).



FIG. 9

FONCTIONNEMENT DE LA MACHINE

POUR VOTRE SÉCURITÉ : n'utilisez pas la machine avant d'avoir lu et compris le manuel opérateur.

OPÉRATIONS PRÉLIMINAIRES

1. Vérifiez si le cordon d'alimentation n'est pas endommagé.
2. Aspirez la moquette et retirez les déchets.
3. A l'aide d'un pulvérisateur de pompage, pulvérisez la moquette avec un détergent- (Figure 10).

Contactez le fournisseur pour les détergents de nettoyage.



FIG. 10

⚠ ATTENTION : Danger d'incendie ou d'explosion. N'utilisez pas de matériaux inflammables. Utilisez uniquement des nettoyants pour sol disponibles dans le commerce et conçus pour une utilisation avec la machine.

NETTOYAGE DES MOQUETTES

⚠ ATTENTION: Danger d'incendie ou d'explosion, N'Utilisez Pas ou ne Ramassez Pas de Matériaux Inflammables.

1. tirez le levier d'ajustement et réglez la poignée à une hauteur confortable (Figure 11). Relâchez le levier pour verrouiller la position.



FIG. 11

2. Placez le commutateur principal en position de marche (I) (Figure 12).
3. Placez le commutateur de fonction de nettoyage sur les symboles Brosse/Solution/Extracteur (Figure 13).



FIG. 12



FIG. 13

4. Pour commencer le nettoyage, tirez le bouton vers le bas (Figure 14).
5. Relâchez les déclencheurs à la fin du parcours et continuez à tirer la machine pour récupérer la solution en excès.



FIG. 14

6. Inclinez la machine en prenant appui sur les roues arrière (1) et poussez-la vers l'avant (2) (Figure 15). Faites chevaucher de 50 mm chaque couloir de nettoyage.

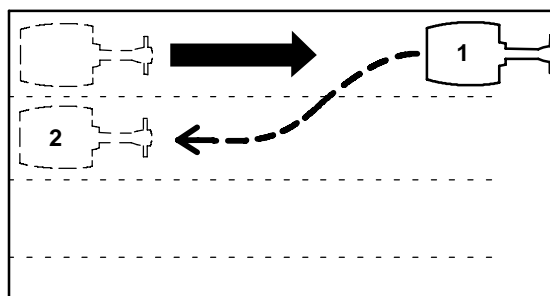


FIG. 15

POUR VOTRE SÉCURITÉ: Ne roulez pas sur le câble d'alimentation avec la machine.

7. Examinez la récupération d'eau au travers du regard du réservoir de récupération (Figure 16). Lorsque le ramassage de l'eau est terminé, débranchez le cordon d'alimentation et videz le réservoir de récupération.

un sectionneur d'extraction à détecteur à flotteur qui interrompt automatiquement la récupération d'eau si le niveau d'eau atteint la limite de remplissage du réservoir. Un changement brusque du bruit du moteur d'extraction se produit.



FIG. 16

ATTENTION: Vérifiez qu'une quantité importante de mousse ne s'est pas formée dans le réservoir de récupération. Videz le réservoir si la quantité de mousse est excessive. La mousse risque de ne pas activer le détecteur à flotteur pour couper le moteur d'extraction, qui risque alors de s'endommager.

POUR VOTRE SÉCURITÉ: Lorsque de la mousse ou du liquide commence à fuir de la machine pendant son fonctionnement, coupez la machine immédiatement.

8. Pour les zones très sales, placez le bouton de nettoyage en mode brosse ou brosse/solution (Figure 17). Ceci vous permet d'utiliser uniquement la brosse ou la brosse avec solution, le cas échéant.

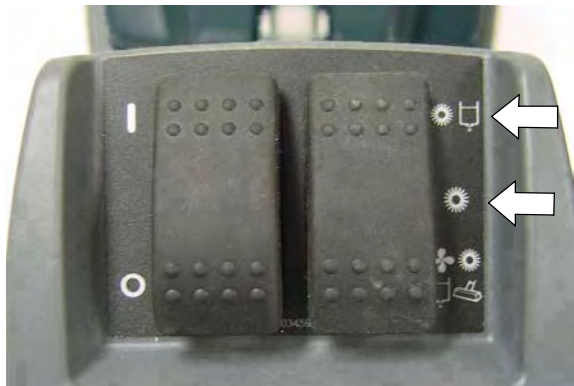


FIG. 17

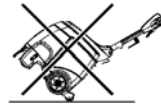
9. Le coupe-circuit de la brosse se déclenche lorsque la brosse est obstruée. Pour réenclencher le coupe-circuit de la brosse, retirer les obstacles et réenclenchez le coupe-circuit 5 amp. (Figure 18). Si le coupe-circuit ne se réenclenche pas immédiatement, laissez refroidir le moteur.

POUR VOTRE SÉCURITÉ: Avant d'éliminer tout obstacle de la brosse, débranchez le cordon d'alimentation de la prise murale.



FIG. 18

10. Lors du transport de la machine, faites rouler la machine sur les roues principales et les roues de basculement arrière.



POUR VOTRE SÉCURITÉ : Lors du transport de la machine, ne roulez pas sur les escaliers.

NETTOYAGE AVEC DES INSTRUMENTS (Option)

1. Connectez les tuyaux de l'accessoire sur le raccord du tuyau de solution et sur l'orifice du tuyau d'extraction situé à l'avant de la machine (Figure 19).



FIG. 19

2. Remplissez le réservoir (Voir REMPLISSAGE DU RÉSERVOIR DE SOLUTION à page 34).
3. Placez le commutateur principal en position de marche (I) (Figure 20). Placez le commutateur de fonction de nettoyage sur les symboles Brosse/Solution/Extracteur (Figure 21).



FIG. 20

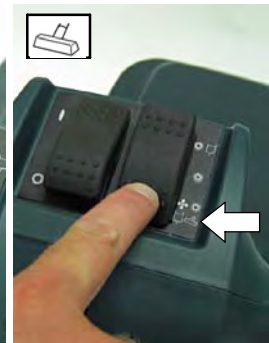


FIG. 21

4. Actionnez l'accessoire (Figure 22).

⚠ ATTENTION: Danger d'incendie ou d'explosion, n'utilisez pas ou ne ramassez pas de matériaux inflammables.



FIG. 22

ENTRETIEN DE LA MACHINE

Pour garder la machine en bon état de marche, il vous suffit de suivre les procédures d'entretien recommandées pour la machine.

POUR VOTRE SÉCURITÉ: Coupez l'alimentation de la machine et débranchez le cordon d'alimentation de la prise murale.

ATTENTION: Contactez un service de réparation agréé pour les réparations de la machine.

APRES CHAQUE UTILISATION

1. Nettoyez le cordon d'alimentation et contrôlez son endommagement éventuel (Figure 23). Enroulez le cordon d'alimentation autour de la poignée et du crochet, lorsque vous n'utilisez pas l'appareil (Figure 24).



FIG. 23



FIG. 24

⚠ ATTENTION: Danger électrique, N'utilisez pas la machine avec un cordon d'alimentation endommagé.

Si le cordon d'alimentation est endommagé ou rompu, il doit être remplacé par le fabricant, son agent de maintenance ou toute autre personne qualifiée, afin d'éviter tout danger.

2. Videz les réservoirs de récupération et de solution et rincez-les méticuleusement à l'eau claire (Figure 25).



FIG. 25

3. Nettoyez le sectionneur d'extraction à détecteur à flotteur (Figure 26) et la grille d'admission d'extracteur (Figure 27).



FIG. 26



FIG. 27

4. Nettoyez le filtre du réservoir de solution (Figure 28).



FIG. 28

5. Ôtez de la brosse tous les débris, ficelles, cheveux et fibres de tapis (Figure 29). Nettoyez le dessous de la base de la brosse (Figure 30).

POUR VOTRE SÉCURITÉ: Avant de rebasculer la machine, débranchez le cordon d'alimentation de la prise murale.



FIG. 29

FIG. 30

6. Nettoyez la fente d'insertion des sabots d'extraction (Figure 31).

POUR VOTRE SÉCURITÉ: Avant de rebasculer la machine, débranchez le cordon d'alimentation de la prise murale.

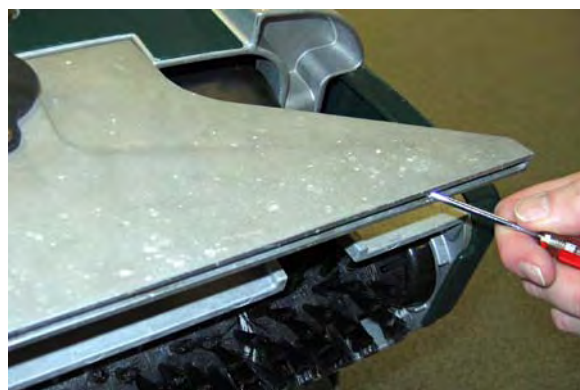


FIG. 31

7. Nettoyez la machine avec un produit nettoyant tous usages et un chiffon humidifié (Figure 32).



FIG. 32

TOUTES LES 100 HEURES DE SERVICE

1. Rincez le système de solution avec du vinaigre blanc afin d'éliminer les dépôts chimiques. Versez 2,2 l de vinaigre blanc dans le réservoir de solution et faites tourner la machine pendant 1 à 2 minutes, puis laissez agir le vinaigre pendant six heures maximum. Rincez le système de solution à l'eau.
2. Retirez l'embout du gicleur et trempez-le dans le vinaigre blanc éviter qu'il se bouche. N'utilisez pas d'objet pointu pour nettoyer l'embout de gicleur, afin d'éviter tout dommage. (Figure 33).

POUR VOTRE SÉCURITÉ : Quand vous entretenez la machine, débranchez le cordon de la prise murale.

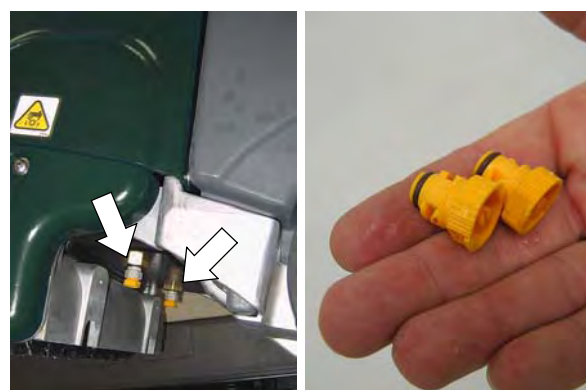


FIG. 33

ENTRETIEN DU MOTEUR DE BROSSE

Contactez un centre d'entretien agréé pour un contrôle des balais de charbon.

Remplacement des balais de charbon	Heures
Moteur de brosse	500

ENTREPOSAGE DE LA MACHINE

Videz le réservoir et entreposez la machine verticalement à l'abri de l'humidité. Enroulez proprement le cordon d'alimentation autour de la poignée et du crochet. Enlever la brosse.

Si vous entreposez la machine à des températures proches de zéro, pompez toute l'eau.

⚠ ATTENTION: Danger de choc électrique. N'utilisez pas en extérieur. N'exposez pas à la pluie. Entreposez à l'intérieur.

ARTICLES DE STOCK RECOMMANDÉS

Reportez-vous à la Liste des pièces détachées pour les articles de stock recommandés. Les articles de stock sont clairement identifiés à l'aide d'un point précédant la description de la pièce. Voir l'exemple ci-dessous :

26	1017380	(00000000-) • Hose, Drain, Assy, 1.5d X 29.5l, Blk,Flx
27	1008639	(00000000-) • Drain Assy
28	1019563	(00000000-) • Strap, Drain Cap
29	1008637	(00000000-) • O Ring, 1.48" Id, 1.76" Od

DÉPISTAGE DES PANNES

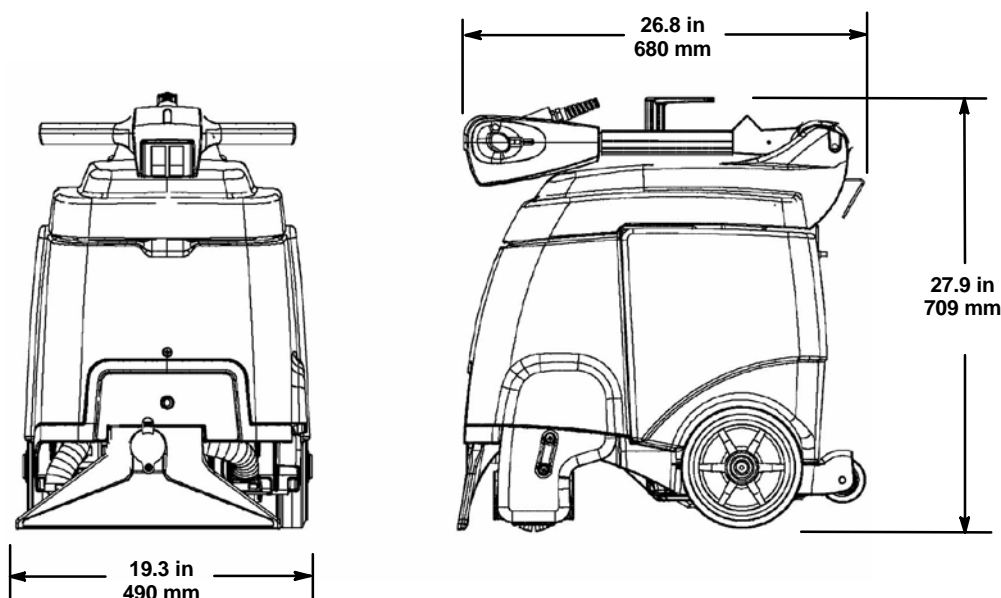
PROBLÈME	CAUSE	SOLUTION
La machine ne fonctionne pas.	Cordon d'alimentation défectueux.	Remplacez le cordon d'alimentation.
	Coupe-circuit déclenché.	Débranchez le cordon d'alimentation et déterminez la cause. Réenclenchez le bouton du coupe-circuit 15 amp. Contactez le centre d'assistance si le coupe-circuit se déclenche.
La brosse ne tourne pas.	Coupe-circuit déclenché.	Débranchez le cordon d'alimentation et vérifiez l'obstruction éventuelle de la brosse. Réenclenchez le bouton du coupe-circuit 5 amp.
	Courroie de brosse rompue.	Contactez le service de dépannage.
	Moteur de brosse défectueux ou balais de charbon usés.	Contactez le service de dépannage.
Ramassage de l'eau non satisfaisant.	Détachez le couvercle de l'orifice du tuyau d'aspiration auxiliaire situé sur le sabot d'extracteur.	Contrôlez le couvercle de l'orifice du tuyau d'aspiration.
	Sectionneur à détecteur à flotteur obstrué.	Éliminez les débris du détecteur à flotteur.
	Grille d'admission de l'extraction bloquée.	Nettoyez les débris de la grille d'admission.
	Sabot d'extraction obstrué.	Nettoyez les débris du sabot d'extraction.
	Joints d'étanchéité du couvercle de réservoir usés.	Remplacez les joints.
	Tuyau de sabot d'extraction obstrué.	Contactez le service de dépannage.
	Moteur d'extracteur défectueux.	Contactez le service de dépannage.
Diffusion irrégulière ou nulle. (<i>Formation de traînées</i>)	Mode de nettoyage incorrect.	Régalez correctement le bouton du mode de nettoyage.
	Gicleurs obstrués.	Nettoyez ou remplacez les gicleurs.
	Angle de gicleur inapproprié.	Régalez l'angle du gicleur.
	Gicleurs défectueux.	Remplacez les gicleurs.
	Réservoir de solution vide.	Remplissez le réservoir de solution.
	Grille de tuyau de solution obstruée	Nettoyez les débris de la grille du réservoir de solution.
	Tuyau de solution endommagé.	Contactez le service de dépannage.
Pompe à solution défectueuse.	Contactez le service de dépannage.	

CARACTÉRISTIQUES TECHNIQUES DE LA MACHINE

MODÈLE	E5
LONGUEUR	26.8 in / 680 mm avec poignée pliée
LARGEUR	19.3 in / 490 mm
HAUTEUR	27.9 in / 709 mm avec poignée pliée
POIDS	102 lb / 46,3 kg
CAPACITÉ DU RÉSERVOIR DE SOLUTION	5 gal / 19 l
CAPACITÉ DU RÉSERVOIR DE RÉCUPÉRATION	5 gal / 19 l
TAUX DE RENDEMENT MOYEN	950 ft ² / 88 m ² /hr
LARGEUR DE LA TRACE DE NETTOYAGE	15 in / 380 mm
PRESSIION DE BROSSAGE	25 lb / 11,3 kg
MOTEUR DE BROSSE	120 V, 0,4 hp / 0,3 kW, 3,2 A, 1.200 tr/min
MOTEUR D'EXTRACTION	120 V, 1,2 hp / 0,88 kW, 2 phases 5,7, 7,1 A
HAUTEUR D'ASPIRATION / CIRCULATION D'AIR	86 in / 2184 mm
POMPE À SOLUTION	120 V, 0,11 hp / 0,081 kW, 2 phases 5,7, 0,7 A
DÉBIT DE SOLUTION	0,7 gal / 2,7 l/min
TENSION	120 CA
CONSOMMATION ÉLECTRIQUE TOTALE	10,8 A
LONGUEUR DU CORDON D'ALIMENTATION	50 ft / 15 m
NIVEAU SONORE AU NIVEAU DE L'OREILLE DE L'OPÉRATEUR, À L'INTÉRIEUR*	69 dBA
DEGRÉ DE PROTECTION	IPX3
VIBRATION AU NIVEAU DES COMMANDES	<2,0 m/s ²

* Pression sonore (ISO 11201) tel que recommandé par l'association américaine des constructeurs d'équipements de nettoyage AACEM et par la OSHA.

DIMENSIONS DE LA MACHINE

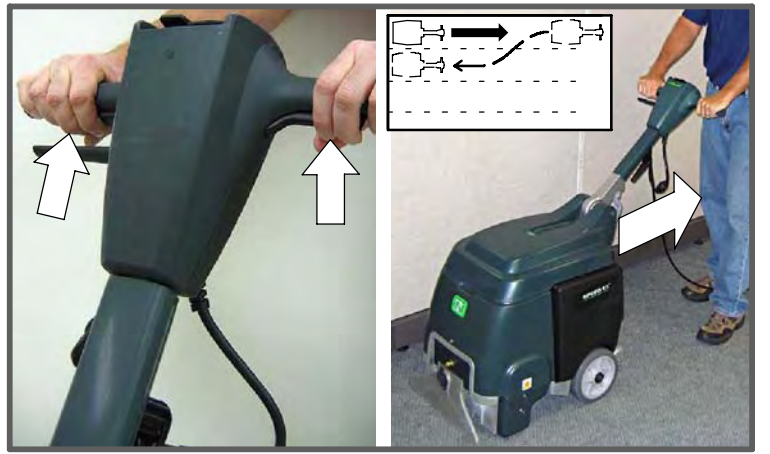




SPEED EX[®]



6

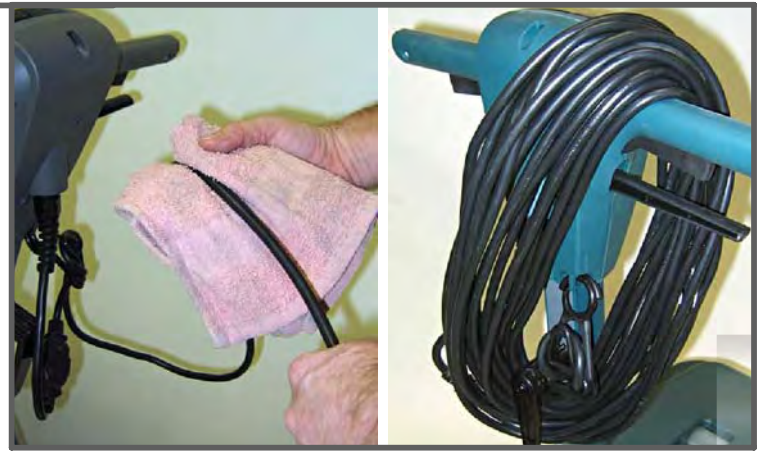


1

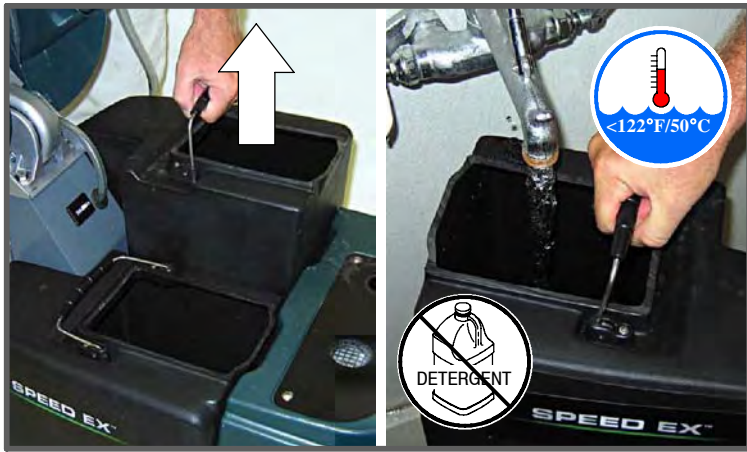


After Use

7



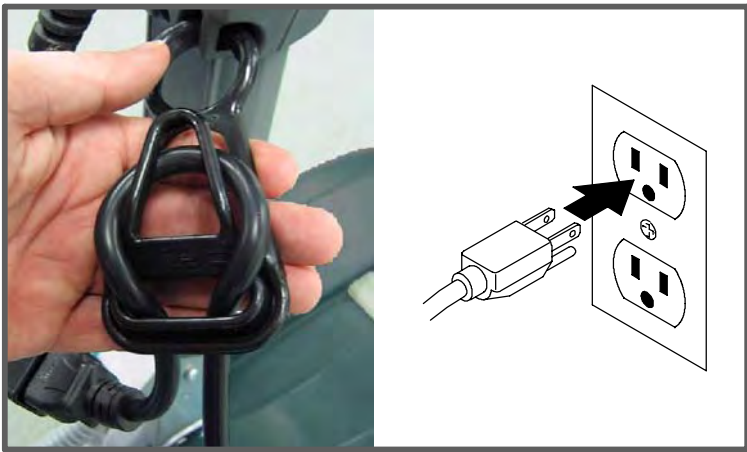
2



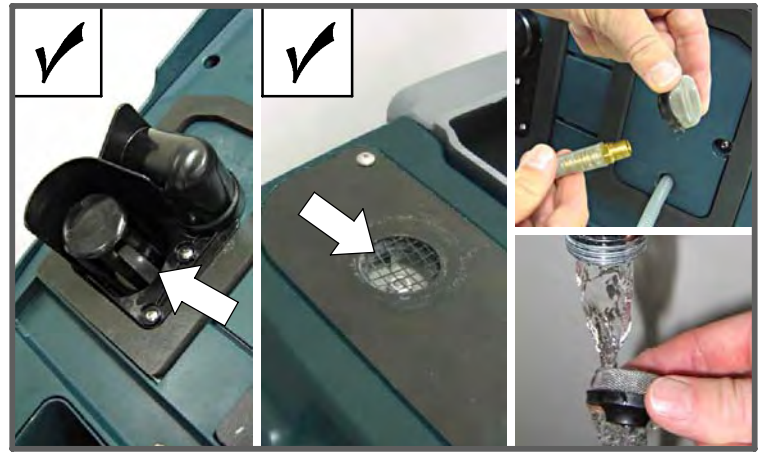
8



3



9



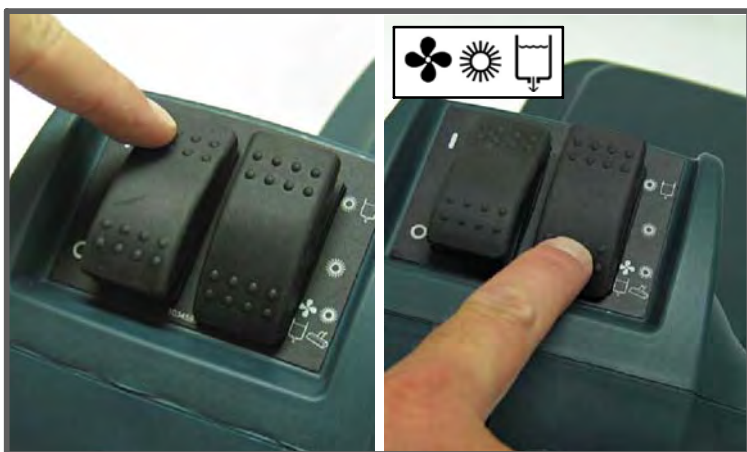
4



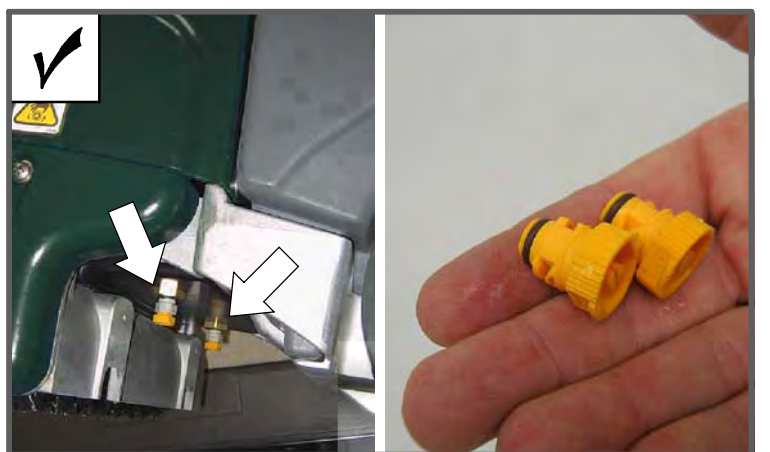
10



5



11





Speed Ex™

Cord-electric, Self-Contained Carpet Extractor specifications



Brush Drive System

Brush bristle length	0.9 in / 22 mm
Brush bristle type	Nylon construction, Reverse chevron
Brush diameter	3.5 in / 89 mm
Brush length	15 in / 380 mm
Brush motor power	0.4 hp / 0.3 kW
Brush motor voltage	120 V / 230 V
Brush RPM	1,200 rpm
Motor RPM	2,400 rpm

Chassis / Body Construction

Chassis construction	Cast aluminum frame, rotational molded tanks and injection molded plastic cover
Wheel descriptions	8 in / 200mm

Vacuum System

Airflow at orifice	99 cfm / 2.8 m ³ /min
Vacuum motor amps	7.1 amps/ 3.6 amps
Vacuum motor power	1.2 hp / .89 kW
Vacuum motor stages	2 stage
Sealed waterlift	86 in / 2,180mm

Dimensions (Handle folded flat for storage)

Length	27 in / 690 mm
Machine Width	19 in / 480 mm
Height	28 in / 710 mm
Net weight	102 lb / 46 kg

Solution & Recovery System

Solution tank capacity	5 gal / 19 L
Recovery tank wet capacity	5 gal / 19 L
Spray jet count	2-quick connect

Power Consumption

Amps	10.8 amps / 5.4 amps
Voltage	120 V / 230 V
Watts	1300 watts
Cord	50 ft / 15 m
Electrical Safety Approvals	ETL Tested for UL & CSA Standards

Pump System

Solution pump pressure	65 psi / 4.48 bar
Solution pump amps	.7 amp / .35 amp
Solution pump flow rate	.7 gpm / 2.6 L/min

Sound Level *

Decibel ration @ operators ear	69 dBA
--------------------------------	--------

Warranty

3 years/2500 hrs on parts and labor.
10 years on rotationally-molded polyethylene tanks. No travel.
Please contact your Nobles representative for additional warranty details.

* Sound levels per ISO 11201 as recommended by the American Association of Cleaning Equipment Manufacturers & OSHA



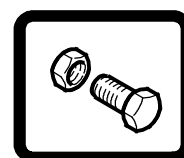
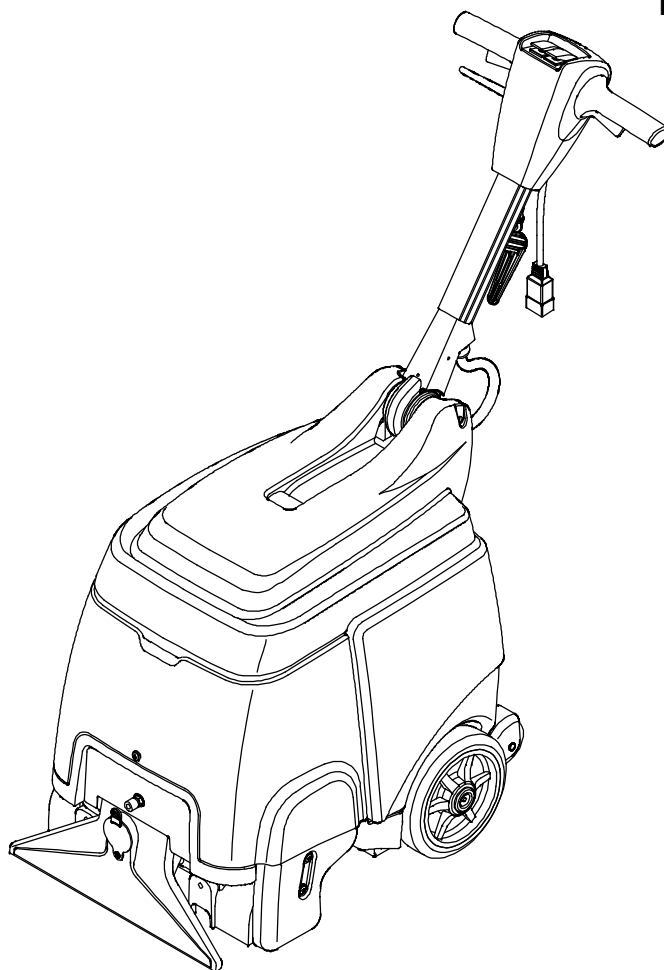
Model 9004201 - 120V

SPEED EX™

PORTABLE CARPET EXTRACTOR

(S/N 30000000- 40000000)

PARTS MANUAL



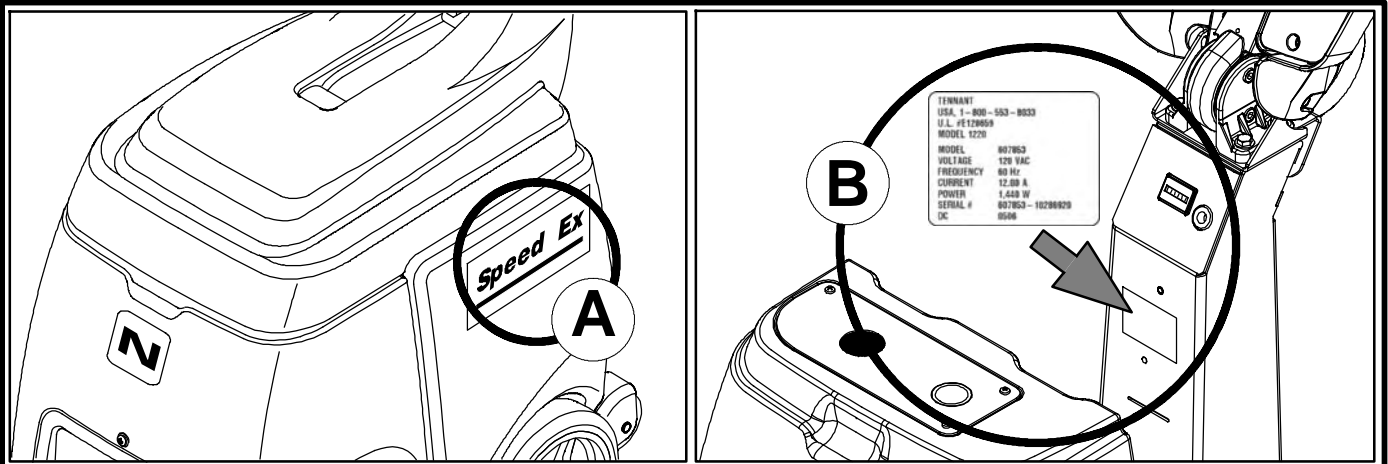
For the latest Parts manuals and other language Operator manuals, visit:

www.nobles.com/manuals

www.nobles.com

9012806
Rev. 02 (04-2016)





Ref	Part No.	Serial Number	Description	Qty.
1	82681	(000000-)	Bracket Wldt, Lpg Mount	1
▽ 2	63810	(000000-)	Latch Assy, Lpg Tank Mtg, W/Nut	4
▲ 3	51839	(000000-)	Nut Adjustable, Lpg Tank Mtg	2
4	49263	(000000-)	Tie, Cable	3
(D)	82556	(000000- 001039)	Bracket, Vaporizer	1
	54930	(000000-)	Vaporizer, LPG	1

HOW TO ORDER PARTS - See diagram above

Only use TENNANT Company supplied or equivalent parts. Parts and supplies may be ordered online, by phone, by fax or by mail.

Follow the steps below to ensure prompt delivery.

1. **(A)** Identify the machine model.
2. **(B)** Identify the machine serial number from the data label.
3. **(C)** Ensure the proper serial number is used from the parts list.
4. Identify the part number and quantity.
Do not order by page or reference numbers.
5. Provide your name, company name, customer ID number, billing and shipping address, phone number and purchase order number.
6. Provide detail shipping instructions.

- (D)** ▽ - identifies an assembly
 ▲ - identifies parts included in assembly

Please fill out at time of installation for future reference.

Model No. - _____

Serial No. - _____

Machine Options - _____

Sales Rep. - _____

Sales Rep. phone no. - _____

Customer ID Number - _____

Installation Date - _____

Tennant Company
 PO Box 1452
 Minneapolis, MN 55440 USA
 Phone: (800) 553- 8033 or
 (763) 513- 2850
 www.nobles.com

TENNANT Cleaning Systems & Equipment Co., Ltd
 Building 1, No. 3777 Caoying Road
 Qingpu Shanghai, China 201712
 Tel: 86 21 6922 53333
 Fax: 86 21 69225151
 www.tennant.co.cn

Specifications and parts are subject to change without notice.

Copyright © 2016 TENNANT Company, Printed in China.

RECOMMENDED MAINTENANCE ITEMS

GENERAL RECOMMENDED MAINTENANCE
ITEMS 5

STANDARD PARTS

HANDLE GROUP 6
FRAME GROUP 8
TANKS AND SHROUD GROUP 10
TANK COVER GROUP 12
VACUUM FAN GROUP 14
SOLUTION GROUP 16
SCRUB HEAD GROUP 18
ELECTRICAL DIAGRAM 20

OPTIONS

FLOOR TOOL GROUP, 8 in / 203 mm 22
HAND TOOL GROUP, 4 in / 101 mm 24
PUMP-UP CARPET SPRAYER 25

RECOMMENDED MAINTENANCE ITEMS

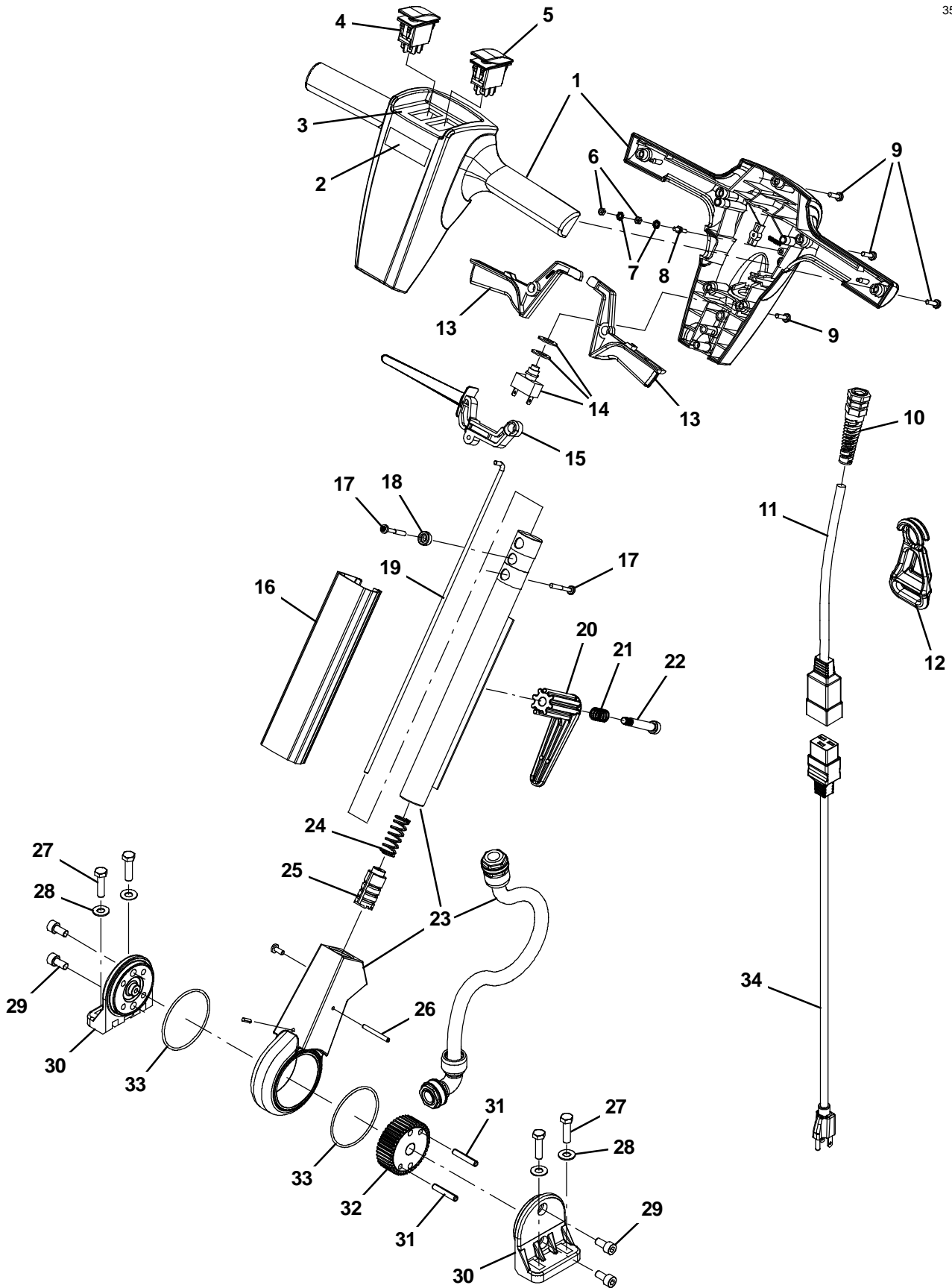
RECOMMENDED MAINTENANCE ITEMS

GENERAL RECOMMENDED MAINTENANCE ITEMS

Part No.	Serial Number	Description	Qty.
1014918	(30000000- 40000000)	Wheel, 03.0d 0.88w 0.31b, W/ Bshg, Rbr	2
1039073	(30000000- 40000000)	Wheel Assy, 8.0d 2.0w 0.5b W/Brg	2
1074694	(30000000- 40000000)	Filter, Tube, Soltn, 200mesh	1
1044370	(30000000- 40000000)	Ball, Float, W/O Cage	1
1036090	(30000000- 40000000)	Seal, Vacuum [Trex]	2
1034801	(30000000- 40000000)	Gasket, Tank	2
1028954	(30000000- 40000000)	Brush, Scrub, 89mm Od X 386mm Long	1

HANDLE GROUP

355082



HANDLE GROUP

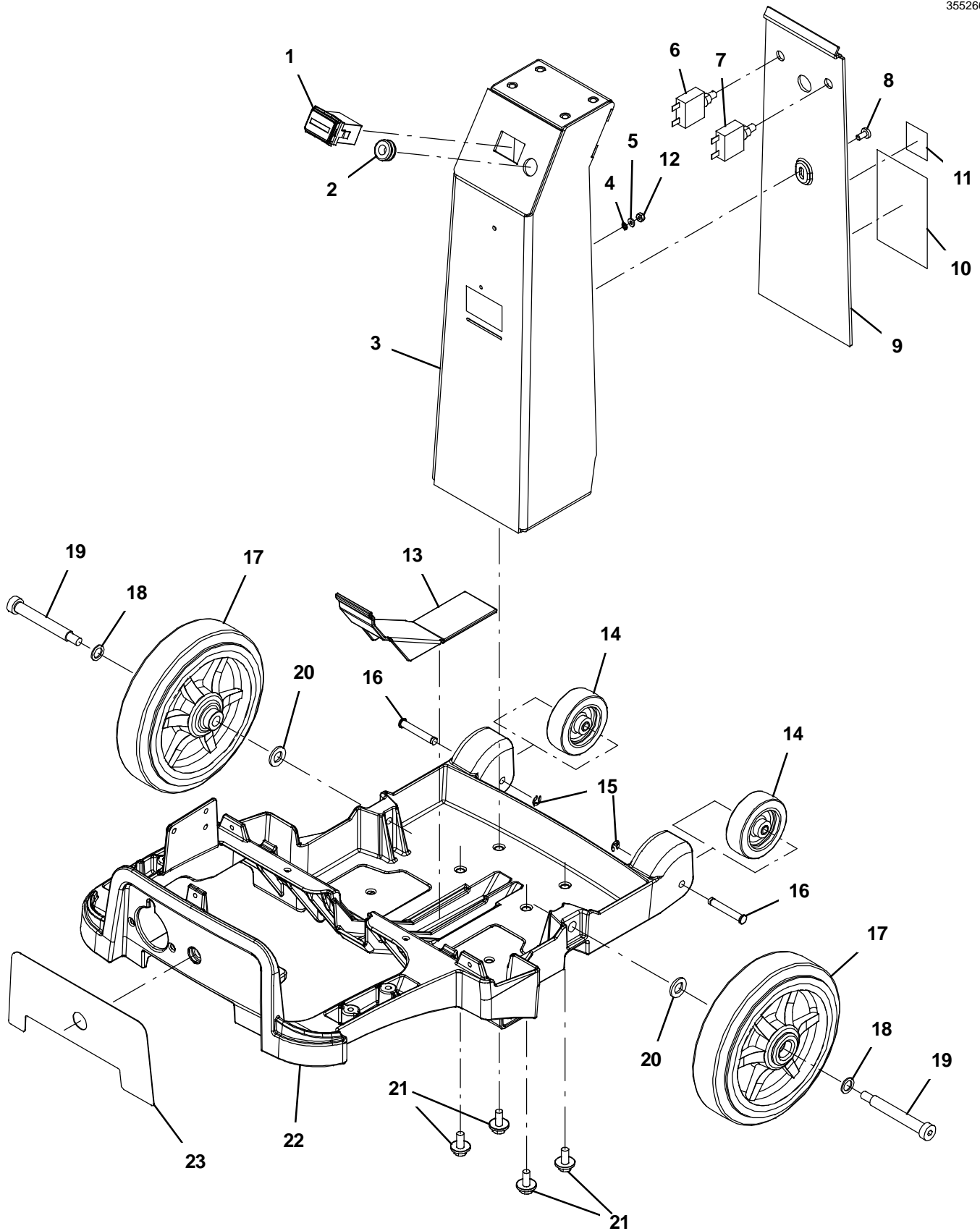
Ref.	Part No.	Serial Number	Description	Qty.
▽	9005512	(30000000- 40000000)	Handle, Nobles Speed Ex 15"	1
▲▽	1 9004322	(30000000- 40000000)	Cover, Handle Front/Rear Nobles Se Kit	1
▲▲	2 1039088	(30000000- 40000000)	Label, Logo, Handle [Nobles]	1
▲▲	3 1034593	(30000000- 40000000)	Label, Opertnl, Instrmt Panl, Extrcr	1
▲	4 609657	(30000000- 40000000)	Switch, Rocker, On / Off / On	1
▲	5 602919	(30000000- 40000000)	Switch, Rocker, Dpdt, On / On	1
▲	6 42368	(30000000- 40000000)	Nut, Hex, Std, M4 X 0.70, 8	2
▲	7 140061	(30000000- 40000000)	Washer, Lock, Ext, 08, Pl	2
▲	8 1034952	(30000000- 40000000)	Screw, Hex, M4 X 0.7 X 12, Dbl Thrd	1
▲	9 1043573	(30000000- 40000000)	Screw, #10- 14 X 0.675, Spl[Shcs,Selftap]	7
▲	10 130166	(30000000- 40000000)	Grip, Cord, Strainrelief Pg- 11 W/Nut Bk	1
▲	11 1042410	(30000000- 40000000)	Cord, 14ga /3, 16.0l, W/ Receptacle, Yel	1
▲	12 1037147	(30000000- 40000000)	Clip, Cord, Strainrelief, Black	1
▲	13 1033893	(30000000- 40000000)	Lever, Cntrl, Switch [Trex]	2
▲	14 9008568	(30000000- 40000000)	Switch Kit, W/ Washers, Fr/ F/1063165	1
▲	15 1034945	(30000000- 40000000)	Lever, Adjmt, Handle	1
▲	16 1036599	(30000000- 40000000)	Cover, Handle, Nobles [Trex]	1
▲	17 1043572	(30000000- 40000000)	Screw, #10- 14 X 0.15, Spl[Shcs Selftap]	2
▲	18 1034176	(30000000- 40000000)	Bushing, Flng, 5mmb 12mmd 8mml, Pa6	1
▲	19 1034180	(30000000- 40000000)	Rod, Release [Trex]	1
▲	20 603104	(30000000- 40000000)	Hook, Cord, Blk [Quick- Release]	1
▲	21 603108	(30000000- 40000000)	Spring, Cmpr, Switch	1
▲	22 140239	(30000000- 40000000)	Bolt, Shld, .38d X 1.75, .31- 18	1
▲	23 1045239	(30000000- 40000000)	Tube, Assy, Handle [W/Harnesses]	1
▲	24 1013295	(30000000- 40000000)	Spring, Cmpr [2100 Series]	1
▲	25 9006059	(30000000- 40000000)	Plunger Kit, Handle	1
▲	26 1034924	(30000000- 40000000)	Pin, Roll, 04mmd X 40mml	1
▲	27 1016399	(30000000- 40000000)	Screw, Hex, M8 X 1.25 X 30, NI, Ss	4
▲	28 140027	(30000000- 40000000)	Washer, Flat, 0.35b 0.75d .04, Ss	4
▲	29 49609	(30000000- 40000000)	Screw, Soc, M8 X 1.25 X 16, 12.9	4
▲	30 1000307	(30000000- 40000000)	Handle, Pivot, Half	2
▲	31 1034155	(30000000- 40000000)	Pin, Roll, 06mmd X 36mml	2
▲	32 1034872	(30000000- 40000000)	Gear, Lock, Handle	1
▲	33 612422	(30000000- 40000000)	Seal, Org, Gear Seat	2
▲	34 1042403	(30000000- 40000000)	Cord, Power, 1.5mm /3 Yel[2x15m 50ft Us]	1

▽ ASSEMBLY

▲ INCLUDED IN ASSEMBLY

FRAME GROUP

355266



FRAME GROUP

Ref.	Part No.	Serial Number	Description	Qty.	
1	1064038	(30000000- 40000000)	Gauge, Hourmeter, 05- 277 Volt, Ac / Dc	1	
2	86726	(30000000- 40000000)	Grommet, Rbr, 0.44id, F/0.5h, .19 Matl	1	
3	9004274	(30000000- 40000000)	Column Kit, W/ Label [5 Gal]	1	
4	02938	(30000000- 40000000)	Washer, Lock, Int, 08, Ss	1	
5	41578	(30000000- 40000000)	Washer, Flat, 06, Ss	1	
6	383720	(30000000- 40000000)	Circuitbreaker, 05.0a, Resetable	1	
7	383722	(30000000- 40000000)	Circuitbreaker, 15.0a, Resetable	1	
8	1043600	(30000000- 40000000)	Filter, Pump, 250 Vac, 3a, 50/60hz	1	
▽	9	9004275	(30000000- 40000000)	Cover Kit, Column , W/ Label [5gal 120v]	1
▲	10	1039105	(30000000- 40000000)	Label,Warning,Ac Scrb/Extr [En/Fr/Es/Jp]	1
▲	11	NA	(30000000- 40000000)	Label, Safety, 120vac [Etl]	1
	12	1044427	(30000000- 40000000)	Nut, Hex, Lock, #8- 32, Ni, Ss	1
	13	1031418	(30000000- 40000000)	Cover, Frame, Rear [Trex]	1
	14	1014918	(30000000- 40000000)	Wheel, 03.0d 0.88w 0.31b, W/ Bshg, Rbr	2
	15	1035139	(30000000- 40000000)	Ring, Retaining, Ext, 0.31d, E- Type	2
	16	1035137	(30000000- 40000000)	Pin, Clevis, Grvd 0.31d X 2.00l, Ss	2
	17	1039073	(30000000- 40000000)	Wheel Assy, 8.0d 2.0w 0.5b W/Brg	2
	18	1038770	(30000000- 40000000)	Washer, Flat, 0.50b 0.75d 0.06, Ss	2
	19	1033757	(30000000- 40000000)	Bolt, Shld, .50 X 3.25, .38- 16, Ss	2
	20	33925	(30000000- 40000000)	Washer, Flat, M12, Ss	2
	21	1020341	(30000000- 40000000)	Screw, Hex, M8 X 1.25 X 20, Ss, Sems	4
▽	22	9004297	(30000000- 40000000)	Frame, W/ Front Decal Kit Nobles	1
▲	23	1038092	(30000000- 40000000)	Label, Extractor, Nobles	1
	N/S	1033925	(30000000- 40000000)	Harness, Chassis, Ele [T- Rex Extractor]	1

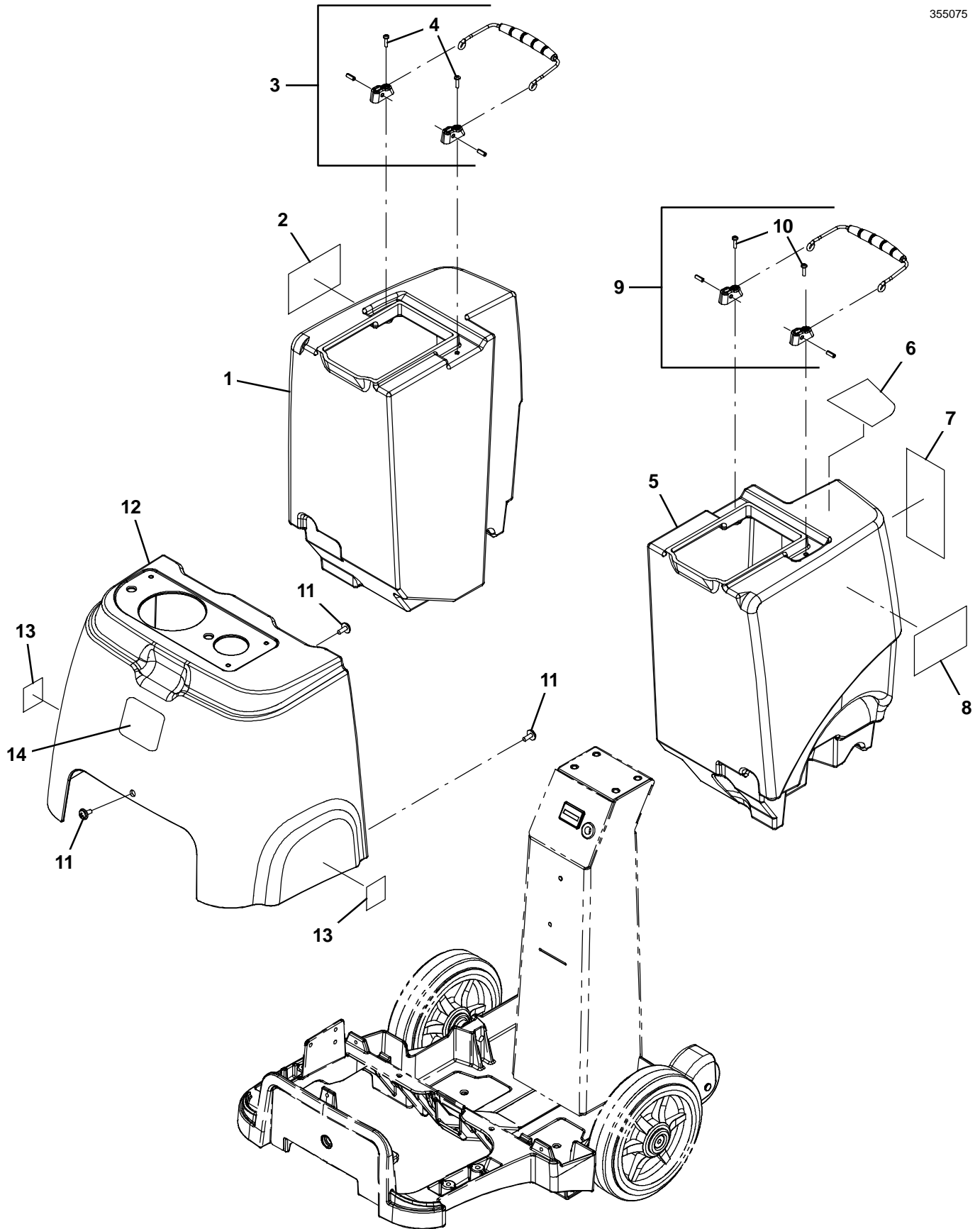
▽ ASSEMBLY

▲ INCLUDED IN ASSEMBLY

N/S = NOT SHOWN

TANKS AND SHROUD GROUP

355075



TANKS AND SHROUD GROUP

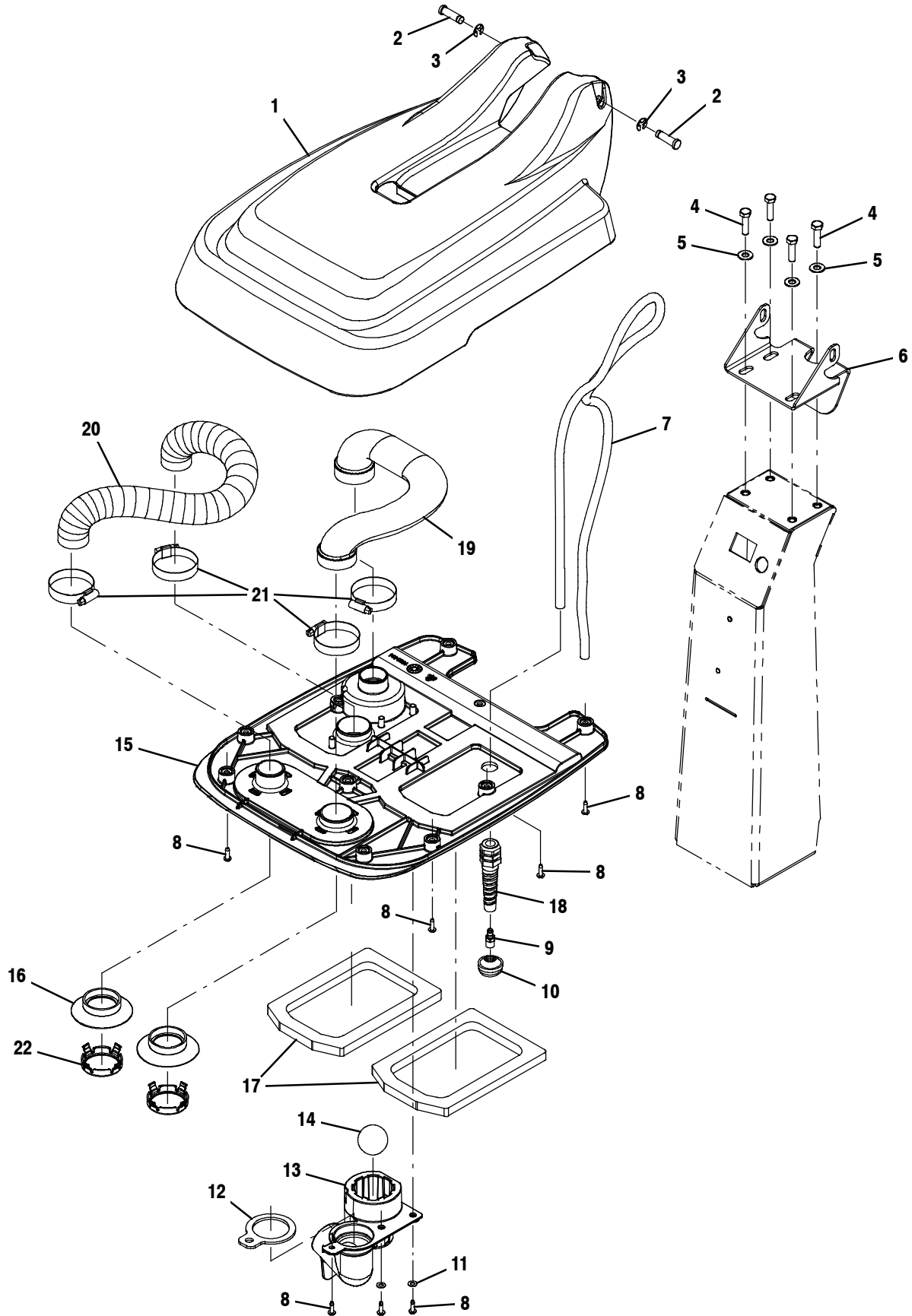
Ref.	Part No.	Serial Number	Description	Qty.
▽	1	9004309	(30000000- 40000000) Tank, Rec W/ Labels Nobles 5 Gal Kit	1
▲	2	1039500	(30000000- 40000000) Label, Side, Extractor	1
▲▽	3	9004285	(30000000- 40000000) Handle, Tank Kit	1
▲▲	4	24265	(30000000- 40000000) Screw, Pan, Phl, M4 X 0.70 X 16, Ss	2
▽	5	9004311	(30000000- 40000000) Tank, Soltn W/ Labels Nobles 5 Gal Kit	1
▲	6	1038968	(30000000- 40000000) Label, Soltn, Tank [5.0 Gal]	1
▲	7	1040114	(30000000- 40000000) Label, Oper, Instr [Extractor]	1
▲	8	1039500	(30000000- 40000000) Label, Side, Extractor	1
▲▽	9	9004285	(30000000- 40000000) Handle, Tank Kit	1
▲▲	10	24265	(30000000- 40000000) Screw, Pan, Phl, M4 X 0.70 X 16, Ss	2
	11	1019349	(30000000- 40000000) Screw, Trs, M6 X 1.00 X 16, Ss, Sems	3
▽	12	9004300	(30000000- 40000000) Shroud, W/ Labels Nobles 5 Gal Kit	1
▲	13	578769	(30000000- 40000000) Decal, Moving Parts Textless	2
▲	14	1034636	(30000000- 40000000) Label, Front, 3.00 [Nobles Icon]	1

▽ ASSEMBLY

▲ INCLUDED IN ASSEMBLY

TANK COVER GROUP

355047



TANK COVER GROUP

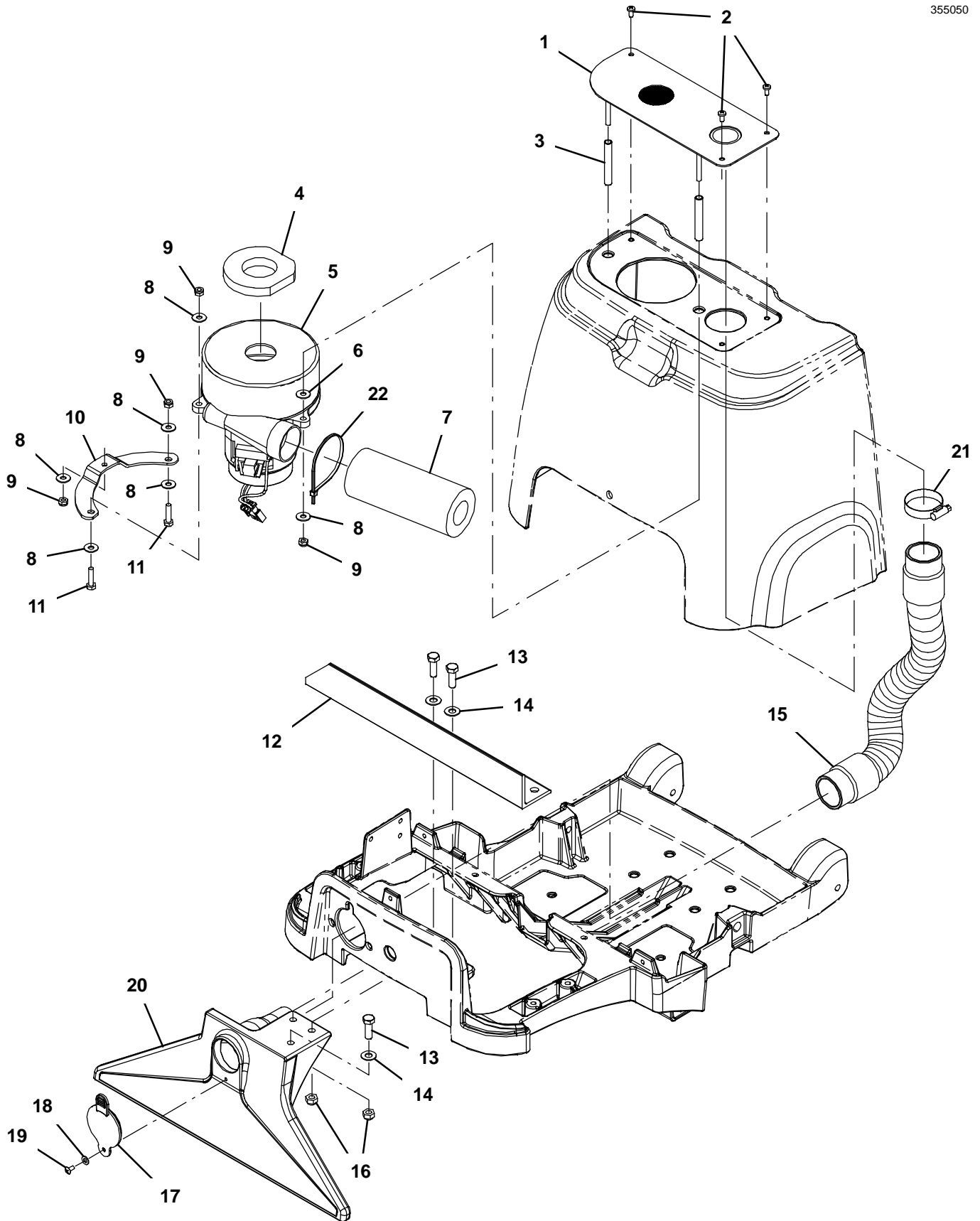
Ref.	Part No.	Serial Number	Description	Qty.	
1	1037759	(30000000- 40000000)	Cover , Tanks, Upper, Nobles [Trex]	1	
2	1035358	(30000000- 40000000)	Pin, Grvd, 0.375d, 1.25l	2	
3	24555	(30000000- 40000000)	Ring, Retaining, Ext, 0.38d, [E- Ring]	2	
4	1016399	(30000000- 40000000)	Screw, Hex, M8 X 1.25 X 30, NI, Ss	4	
5	140027	(30000000- 40000000)	Washer, Flat, 0.35b 0.75d .04, Ss	4	
6	1034346	(30000000- 40000000)	Bracket, Pivot, Cover, Mtg	1	
7	1036063	(30000000- 40000000)	Hose, Soltn, .25 Id, .453 Od, 56.0 L	1	
8	140340	(30000000- 40000000)	Screw, Pan, Phl, 10- 24 X 0.62, Ss[Typ25]	13	
9	1042715	(30000000- 40000000)	Fitting, Brs, Str, Bm04/Pm02	1	
10	1074694	(30000000- 40000000)	Filter, Tube, Soltn, 200mesh	1	
11	140011	(30000000- 40000000)	Washer, Flat, 0.21b 0.45d .03, Ss	2	
12	1051274	(30000000- 40000000)	Gasket, Shield, Float	1	
13	1042277	(30000000- 40000000)	Shield, Float	1	
14	1044370	(30000000- 40000000)	Ball, Float, W/O Cage	1	
▽	15	9005924	(30000000- 40000000)	Cover, Tank, Inner W/ Seals, Kit	1
▲	16	1036090	(30000000- 40000000)	Seal, Vacuum [Trex]	2
▲	17	1034801	(30000000- 40000000)	Gasket, Tank	2
▲	18	602849	(30000000- 40000000)	Strainrelief, Cord, Ele, Pm08, Blk Nyl	1
	19	1035866	(30000000- 40000000)	Hose, Recvy, Formed [Trex]	1
	20	1037756	(30000000- 40000000)	Hose, Vacuum, 1.5od, 18.0l [Wire- Reinf]	1
	21	140308	(30000000- 40000000)	Clamp, Hose, Wormdrive, 1.31- 2.25d, .50w	4
	22	1054345	(30000000- 40000000)	Clip, Retaining, Seal	2

▽ ASSEMBLY

▲ INCLUDED IN ASSEMBLY

VACUUM FAN GROUP

355050



VACUUM FAN GROUP

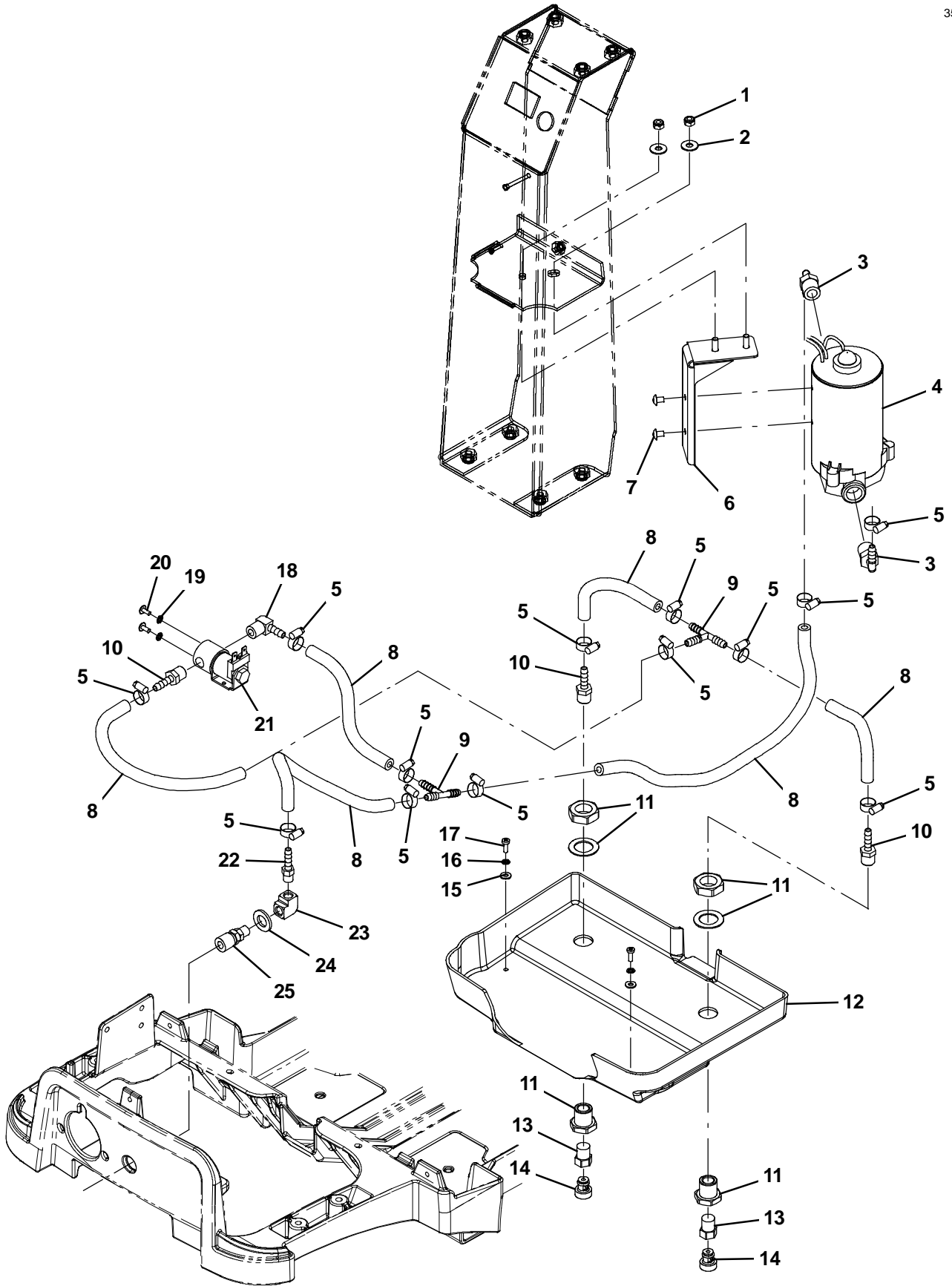
Ref.	Part No.	Serial Number	Description	Qty.
1	1031960	(30000000- 40000000)	Plate, Mtg, Vacuum	1
2	1026454	(30000000- 40000000)	Screw, Pan, Phl, M5 X 0.80 X 10, Ss	3
3	610144	(30000000- 40000000)	Spacer, Fan	2
4	630010	(30000000- 40000000)	Gasket, 12.7mm Th, 43mmid 73mmod	1
▽	5	9012566	(30000000- 40000000) Fan Kit, Vacuum, 5.7d, 120vac, 2 Stage	1
▲		1071842	(30000000- 40000000) Vr, Brush Kit, Vac Fan 1071839	1
▲	6	01684	(30000000- 40000000) Washer, Flat, 0.27b 0.69d .05, Ss	1
7	600009	(30000000- 40000000)	Muffler, Exhaust, Vacfan	1
8	01684	(30000000- 40000000)	Washer, Flat, 0.27b 0.69d .05, Ss	6
9	08708	(30000000- 40000000)	Nut, Hex, Lock, M6 X 1.00, NI	4
10	1034069	(30000000- 40000000)	Plate, Vac Mounting	1
11	09007	(30000000- 40000000)	Screw, Hex, M6 X 1.00 X 25, Ss	2
12	1045263	(30000000- 40000000)	Brace, Frame	1
13	1015852	(30000000- 40000000)	Screw, Hex, M8 X 1.25 X 25, NI, FI, Ss	3
14	140027	(30000000- 40000000)	Washer, Flat, 0.35b 0.75d .04, Ss	3
15	1032555	(30000000- 40000000)	Hose, Vacuum, 1.50id X 19.5l, 2cuff, Clr	1
16	08713	(30000000- 40000000)	Nut, Hex, Lock, M8 X 1.25, NI, Ss	3
17	607183	(30000000- 40000000)	Seal, Cap, Vacuum Tool [607170]	1
18	140011	(30000000- 40000000)	Washer, Flat, 0.21b 0.45d .03, Ss	1
19	140801	(30000000- 40000000)	Screw, Trs, Phl, 08- 32 X 0.38, Ss	1
20	1035555	(30000000- 40000000)	Tool, Floor [Machined]	1
21	11531	(30000000- 40000000)	Clamp, Hose, Wormdrive, 1.06- 2.00d, .56w	1
22	130773	(30000000- 40000000)	Tie, Cable, Nyl, 11.0l, .14w, 3.0 Max. D	1

▽ ASSEMBLY

▲ INCLUDED IN ASSEMBLY

SOLUTION GROUP

355049

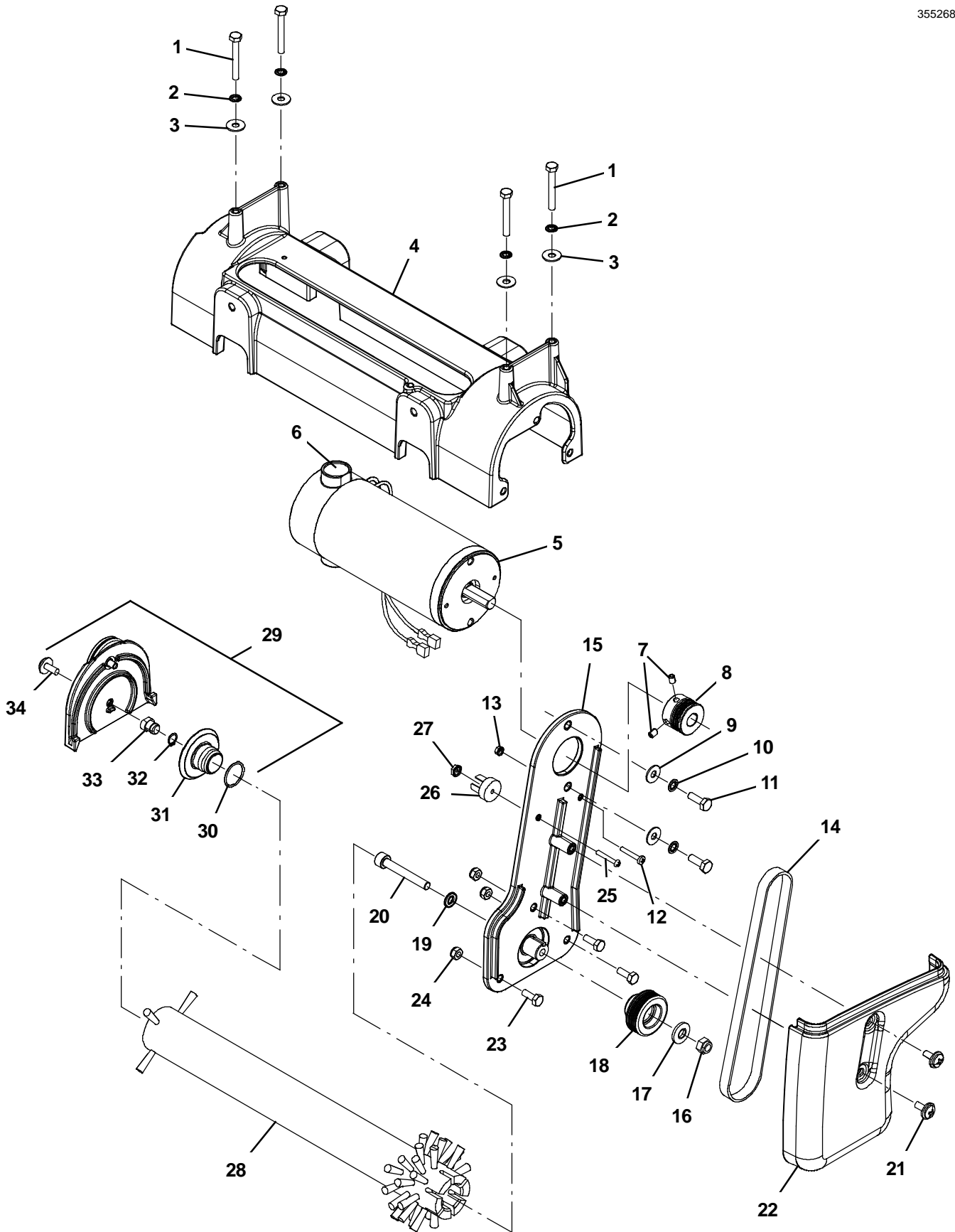


SOLUTION GROUP

Ref.	Part No.	Serial Number	Description	Qty.
1	08712	(30000000- 40000000)	Nut, Hex, Lock, M6 X 1.00, NI, Ss	2
2	01684	(30000000- 40000000)	Washer, Flat, 0.27b 0.69d .05, Ss	2
3	150417	(30000000- 40000000)	Fitting, Plstc, E90, Bm04/Pm06	2
4	1031915	(30000000- 40000000)	Pump, Soltn, Ele, 110vac	1
5	43844	(30000000- 40000000)	Clamp, Hose, Wormdrive, 0.25- 0.62d, .31w	13
6	1034331	(30000000- 40000000)	Bracket, Pump	1
7	140751	(30000000- 40000000)	Screw, Hex, 10- 32 X 0.50, PI	2
8	606364	(30000000- 40000000)	Hose, Pvc, Brd, 0.25id 0.50od 60.0l, Gray (160204)	1
9	150713	(30000000- 40000000)	Fitting, Plstc, Tee, Bm04/Bm04/Bm04	2
10	150515	(30000000- 40000000)	Fitting, Brs, Str, Bm04/Pm04 [Taped]	2
11	78122	(30000000- 40000000)	Fitting, Brs, Str, Pf04/Pf04, Bh	2
12	1037350	(30000000- 40000000)	Shroud, Nozzle [Extractor]	1
13	1034582	(30000000- 40000000)	Nozzle Adapter, Qppm	2
14	1037338	(30000000- 40000000)	Nozzle, Qmvv 110- 06	2
15	41579	(30000000- 40000000)	Washer, Flat, 08, Ss	2
16	02938	(30000000- 40000000)	Washer, Lock, Int, 08, Ss	2
17	579237	(30000000- 40000000)	Screw, Pan, Phl, M4 X 0.70 X 12, Ss	2
18	150418	(30000000- 40000000)	Fitting, Brs, E90, Bm04/Pm04	1
19	02938	(30000000- 40000000)	Washer, Lock, Int, 08, Ss	2
20	140801	(30000000- 40000000)	Screw, Trs, Phl, 08- 32 X 0.38, Ss	2
21	210033	(30000000- 40000000)	Valve, Water, Solenoid, 120vac Pf04/Pf04	1
22	150525	(30000000- 40000000)	Fitting, Brs, Str, Bm04/Pm02	1
23	150402	(30000000- 40000000)	Fitting, Brs, E90, Pf02/Pf02	1
24	3148.816	(30000000- 40000000)	Washer, Flat, 0.52b 0.88d .06, Stl, PI	1
25	150915	(30000000- 40000000)	Fitting, Brs, Qdc, Pm02, Fem [Ser 5]	1

SCRUB HEAD GROUP

355268



SCRUB HEAD GROUP

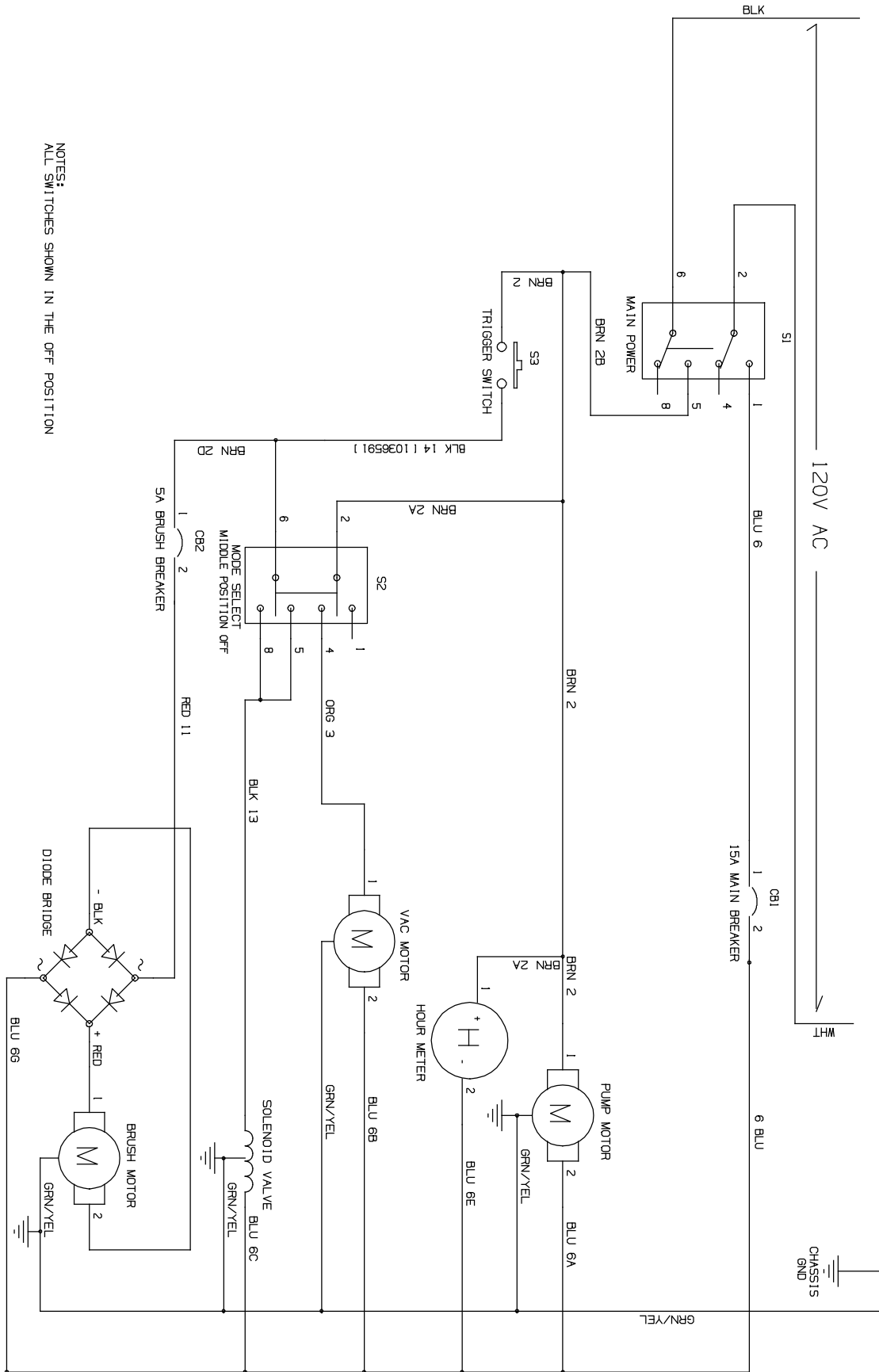
Ref.	Part No.	Serial Number	Description	Qty.	
1	1045325	(30000000- 40000000)	Screw, Hex, M6 X 1.00 X 45, Ss	4	
2	1027144	(30000000- 40000000)	Washer, Lock, Int, M6, Ss	4	
3	01684	(30000000- 40000000)	Washer, Flat, 0.27b 0.69d .05, Ss	4	
4	1034380	(30000000- 40000000)	Housing, Brush, Sngl, 40cm	1	
▽	5	1072719	(30000000- 40000000)	Motor, Ele, 115vdc 2200rpm .33hp	1
▲	6	1067897	(30000000- 40000000)	Vr, Brush Kit, Motor	2
	7	09162	(30000000- 40000000)	Screw, Set, Soc, M6 X 1.00 X 8, NI	2
	8	1030620	(30000000- 40000000)	Sheave, 07grv, 32.78pd [Ph]	1
	9	01684	(30000000- 40000000)	Washer, Flat, 0.27b 0.69d .05, Ss	2
	10	07515	(30000000- 40000000)	Washer, Lock, Int, 0.25, Ss	2
	11	34323	(30000000- 40000000)	Screw, Hex, .25- 20 X 0.75, NI	2
	12	1033197	(30000000- 40000000)	Screw, Pan, Phl, M4 X 0.70 X 25, Ss	1
	13	1007109	(30000000- 40000000)	Nut, Hex, Lock, M4 X 0.70, Kep, Ext	1
	14	9004283	(30000000- 40000000)	Belt Kit, W/ Installation Tool	1
▽	15	9004281	(30000000- 40000000)	Bracket, Motor Mount W/ Bearing/Seal Kit (Includes Hub, Key, Bearing and Seal)	1
▲	16	08713	(30000000- 40000000)	Nut, Hex, Lock, M8 X 1.25, NI, Ss	1
▲	17	41186	(30000000- 40000000)	Washer, Flat, Belleville, .31	1
▲	18	1030614	(30000000- 40000000)	Sheave, 07grv, 42.3pd [Ph]	1
▲	19	1057482	(30000000- 40000000)	Washer, Flat, 0.328b 0.571d 0.063, Ss	1
▲	20	1057476	(30000000- 40000000)	Screw, Soc, M8 X 1.25 X 55, Ss	1
	21	1019349	(30000000- 40000000)	Screw, Trs, M6 X 1.00 X 16, Ss, Sems	2
	22	1064397	(30000000- 40000000)	Cover, Belt, Spg (Single Roller)	1
	23	15678	(30000000- 40000000)	Screw, Hex, M6 X 1.00 X 16, Ss	3
	24	08712	(30000000- 40000000)	Nut, Hex, Lock, M6 X 1.00, NI, Ss	3
	25	140946	(30000000- 40000000)	Screw, Rnd, Slt, 06- 32 X 1.00, Nyl	1
	26	130288	(30000000- 40000000)	Rectifier, Bridge, Rnd, 12a 1000volt, Ce	1
	27	140534	(30000000- 40000000)	Nut, Hex, #06- 32, Nyl	1
	28	1028954	(30000000- 40000000)	Brush, Scrub, 89mm Od X 386mm Long	1
▽	29	9007962	(30000000- 40000000)	Door Kit, Brush, W/ Hdwr	1
▲	30	1042312	(30000000- 40000000)	Seal, Org, .070 X .875 Id, 020	1
▲	31	1030680	(30000000- 40000000)	Hub, Idler, Brush	1
▲	32	01543	(30000000- 40000000)	Ring, Retaining, Ext, 0.39d, Basic	1
▲	33	1030682	(30000000- 40000000)	Shaft, Idler Plug	1
▲	34	1019349	(30000000- 40000000)	Screw, Trs, M6 X 1.00 X 16, Ss, Sems	1

▽ ASSEMBLY

▲ INCLUDED IN ASSEMBLY

ELECTRICAL DIAGRAM

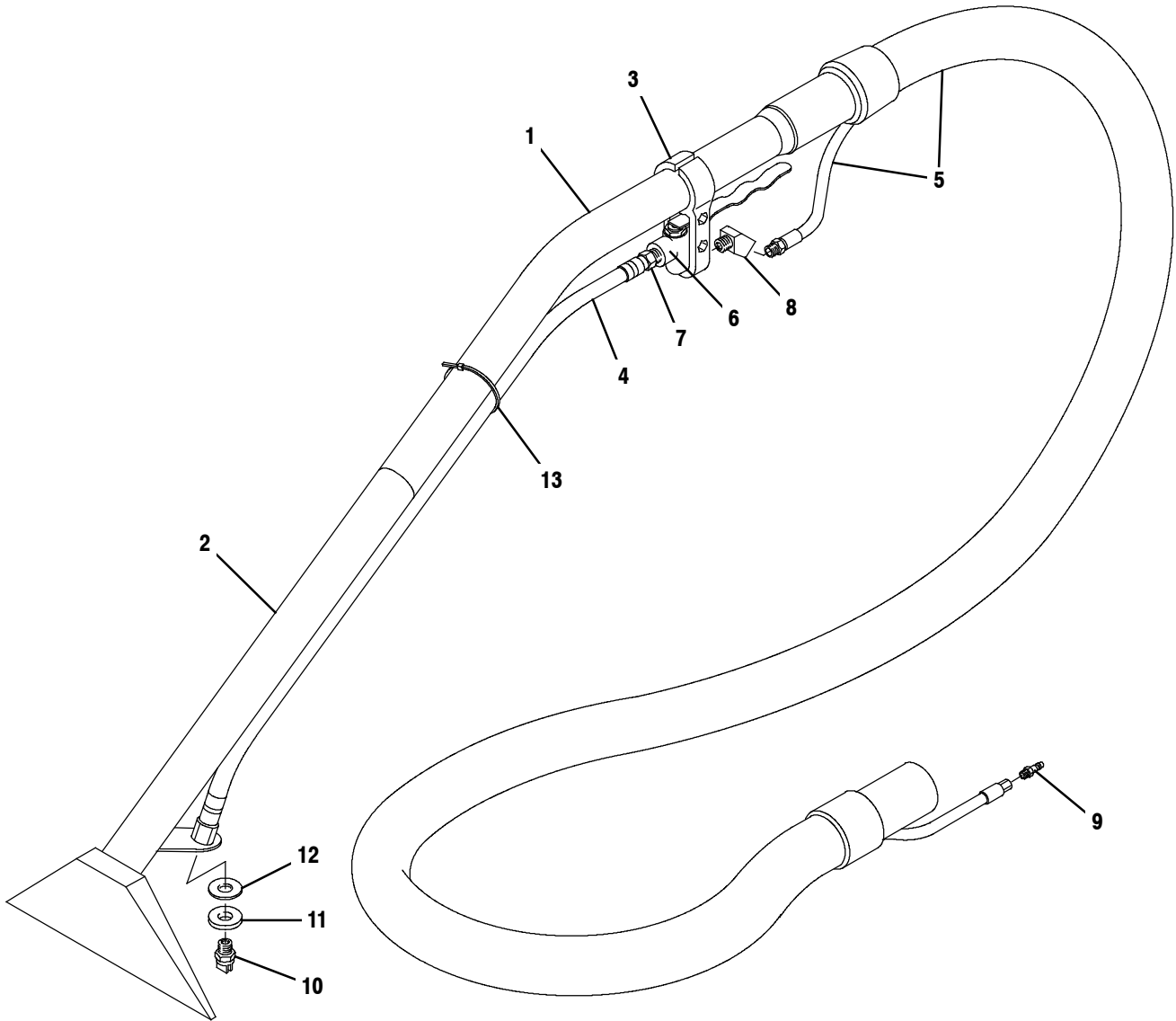
1046070_D



NOTES:
ALL SWITCHES SHOWN IN THE OFF POSITION

FLOOR TOOL GROUP, 8 in / 203 mm

355116



FLOOR TOOL GROUP, 8 in / 203 mm

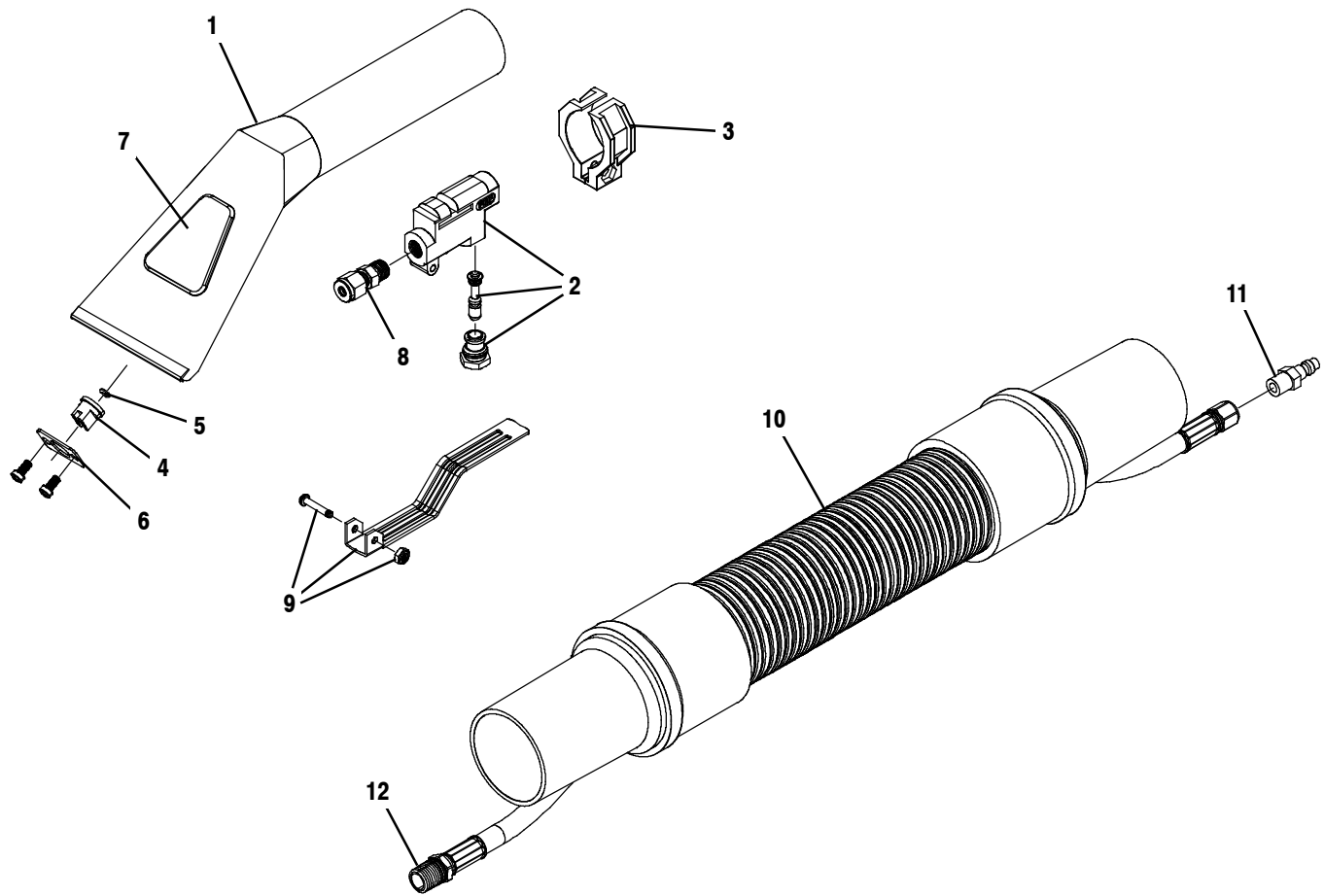
Ref.	Part No.	Serial Number	Description	Qty.
▽	1058735	(30000000- 40000000)	Tool Assy, Floor, W/ Ss Head	1
▲	1 1058997	(30000000- 40000000)	Wand, Tube, Upper, Fr/ 1058735, Replmt	1
▲	2 1058995	(30000000- 40000000)	Wand Assy, Lower, Fr/ 1058735, Replmt	1
▲	3 605988	(30000000- 40000000)	Vr, Bracket, Hanger, Valve	1
▲	4 1058998	(30000000- 40000000)	Hose, Brd, 39.0l, Fr/ 1058735, Replmt	1
▲	5 1059131	(30000000- 40000000)	Hose Assy, 10ft, F/1058735, Replmt	1
▲	6 578064000	(30000000- 40000000)	Valve, Water, Flow Cntrl, W/Lever [Wand]	1
▲	7 150516	(30000000- 40000000)	Fitting, Brs, Str, Bm06/Pm04	1
▲	8 150403	(30000000- 40000000)	Fitting, Brs, E45, Pf04/Pm04 [Taped]	1
▲	9 150921	(30000000- 40000000)	Fitting, Ss, Qdc, Pm02 [Ser 5]	1
▲	10 1059002	(30000000- 40000000)	Fitting, Jet, Vee, .25npt, Brs	1
▲	11 1058999	(30000000- 40000000)	Washer, Flat, Abs, F/ 1058735, Replmt	1
▲	12 140058	(30000000- 40000000)	Washer, Flat, 0.54b 0.88d .06, Ss [Wand]	1
▲	13 130041	(30000000- 40000000)	Tie, Cable, Nyl, 11.5l .19w	1
	N/S 220040	(30000000- 40000000)	Bag, Hose, Accssry, 24x36[W/Draw String] (Optional)	1

▽ ASSEMBLY

▲ INCLUDED IN ASSEMBLY

HAND TOOL GROUP, 4 in / 101 mm

355117



Ref.	Part No.	Serial Number	Description	Qty.
▽	1058747	(30000000- 40000000)	Tool Assy, Hand, W/ Ss Head & Plstc Wndw	1
▽	1059230	(30000000- 40000000)	Tool Assy, W/Trigger F/1058747, Replmt	1
▲	1 1059003	(30000000- 40000000)	Tool, W/ Wndw, Ss, F/1058747, Replmt	1
▲	2 611807	(30000000- 40000000)	Valve, Tool, Hand [Pmf]	1
▲	3 611812	(30000000- 40000000)	Valve, Hanger [Pmf]	1
▲	4 1059006	(30000000- 40000000)	Fitting, Jet, Tee, Plstc, Fr/ 1058747	1
▲	5 1059005	(30000000- 40000000)	Seal, Org, Fr/ 1058747, Replmt	1
▲	6 611815	(30000000- 40000000)	Retainer, Plate [Pmf]	1
▲	7 1059004	(30000000- 40000000)	Tool, Wndw, Plstc, Fr/ 1058747	1
▲	8 611817	(30000000- 40000000)	Ferrule, Pm02/.18tube	1
▲	9 611818	(30000000- 40000000)	Trigger, Handle Pmf	1
▽	10 1059130	(30000000- 40000000)	Hose Assy, 10ft, F/1058747, Replmt	1
▲	11 150921	(30000000- 40000000)	Fitting, Ss, Qdc, Pm02 [Ser 5]	1
▲	12 150521	(30000000- 40000000)	Fitting, Brs, Str, Bm02/Pf02	1
	N/S 220040	(30000000- 40000000)	Bag, Hose, Accssry, 24x36[W/Draw String] (Optional)	1

▽ ASSEMBLY

▲ INCLUDED IN ASSEMBLY

PUMP-UP CARPET SPRAYER



Ref.	Part No.	Serial Number	Description	Qty.
	605848	(30000000- 40000000)	Sprayer 2gal Pumpup Hd	1



Speed EX Extractor

PARTS & CONSUMABLES

SERIAL # _____

Only genuine Tennant parts can ensure peak performance for the life of your equipment.

BRUSHES

- Excellent cleaning performance, designed and engineered specifically to fit Tennant machines
- Easy installation helps reduce machine downtime and service calls
- Optimal operation with Tennant machines, maximizing cleaning effectiveness in one pass

PART DESCRIPTION	SIZE	PART NUMBER
Cylindrical Black Nylon Scrub Brush	15" (381 mm)	1028954

GENERAL MAINTENANCE

PART DESCRIPTION	SIZE	PART NUMBER
120V Extension Cord (50 ft)		1042403
Cord Clip		1037147
120V Single Brush Motor		1034457
Belt Kit		9004283
Tank Gaskets		1034801
80 Mesh Solution Tube Filter		1032556
Recovery Hose		1035866
Solution Hose		1036063
Wire Reinforced Vac Hose	18" (457 mm)	1037756
120V Extractor Timer		1037248
120V Solution Pump		1031915
Vac Fan		1037541
Extractor Vacuum Hose Assembly	19" (483 mm)	1032555