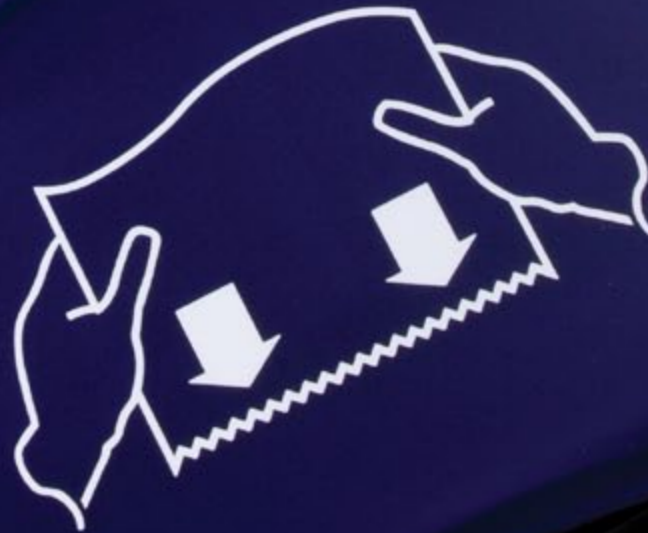


OPTISERV® HANDS-FREE DISPENSING SYSTEM

OptiSERV®

WausauPAPER®



PUSH

PUSH

Some components may require an active internet connection.

OPTISERV® HANDS-FREE DISPENSING SYSTEM

OptiSERV®



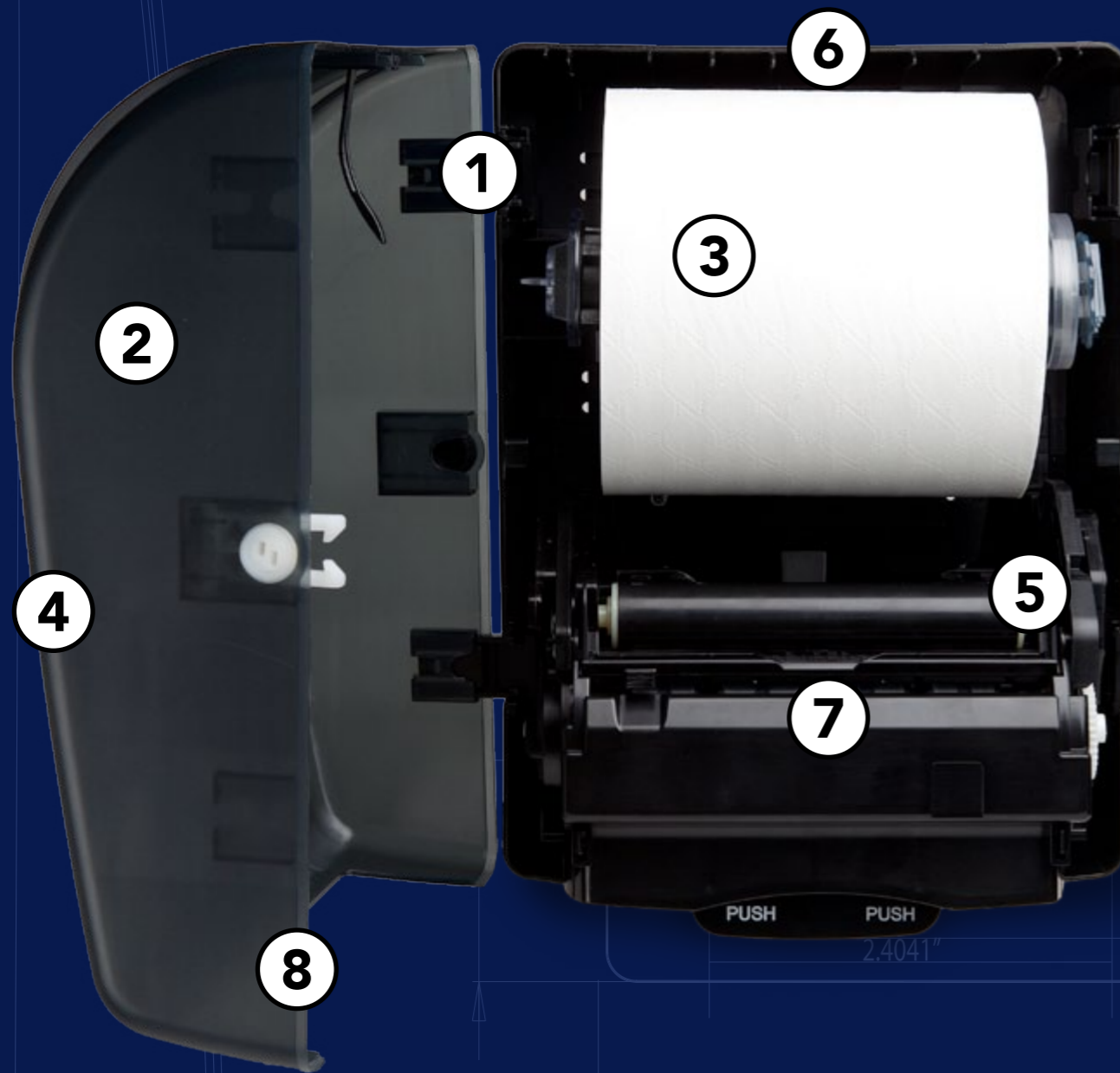
Product specifications and availability are subject to change. Some components may require an active internet connection.

FLEXIBILITY BUILT INTO A **FUNCTIONAL** AND **ATTRACTIVE** DESIGN



The OptiServ[®] hands-free dispensing system is ideal for healthcare, food preparation, and high-traffic facilities where cleanliness is highly important. The OptiServ[®] controls use, encouraging users to take only the toweeling that is needed, reducing paper waste, maintenance time, and cost. The new upscale and unique design will complement any décor along with Wausau Paper's tissue and soap dispensers. Choose from one of five color choices or custom imprint the OptiServ[®] with your logo or company name for that special touch.

THE OPTISERV® OFFERS **FLEXIBILITY**



- 1 REVERSIBLE COVER**
In just a few minutes, the cover can be changed so that it opens from the opposite side
- 2 COLOR OPTIONS**
Available in five translucent colors to complement any facility's design for a coordinated washroom
- 3 PAPER VARIETY**
A variety of towel grades provide customers with choices to meet their preferences and budget
- 4 CUSTOM IMPRINTING**
Showcase your company name or logo for a personalized washroom
- 5 HIGH CAPACITY**
Holds up to 1,000 feet – providing the maximum number of hand dries between change outs
- 6 LEVEL INSTALLATION**
The built-in level saves time measuring and eliminates guesswork during installation
- 7 MODULAR DESIGN**
Dispensing cassette can be replaced without removing the dispenser from the wall
- 8 TRANSLUCENT COVER**
Allows maintenance staff to see at-a-glance when it is time to refill



THE OPTISERV® PROMOTES **CLEANLINESS**

HANDS-FREE

You touch only your personal towel greatly reducing the chance of cross contamination from touching commonly used surfaces

SUPPORTS HACCP

The OptiServ® supports the principles of HACCP as an important preventive measure in avoiding cross contamination of food products as it is not required to touch the dispenser for use

LOCKING COVER

Towels protected securely away from germs and moisture

REDUCES BACTERIA

Paper towels reduce the number of bacteria on hands unlike warm air dryers, which can increase and spread bacteria in the washroom

THE OPTISERV® IS THE **ENVIRONMENTALLY PREFERABLE** CHOICE

CONTROLS USE

Each pull dispenses a single 11 inch towel saving cost and reducing waste for a better environmental solution

SELF-CONTAINED

The OptiServ® does not require any external electricity, wiring or batteries to operate

MAXIMIZES CAPACITY

Accommodates up to a four inch stub roll along with a new roll, which self starts after the stub roll is depleted – maximizing dispenser capacity and reducing paper waste and maintenance time

RECYCLED CONTENT

The OptiServ® dispenser contains between 25-35% recycled materials

CERTIFIED TOWELS

A variety of high-capacity 100% recycled Green Seal™ certified towel choices complement the OptiServ® dispenser in lengths of 800 and 1,000 feet

OPTISERV®: **MARKETS**

Washrooms, breakrooms, and food service areas: The OptiServ® dispenser has a place on every floor of your building. Featuring controlled-use dispensing and a translucent cover, OptiServ® helps reduce waste and maintenance costs.

From Pre-School to the Ivy League, Wausau Paper offers a complete line of paper and soap products and dispensing systems for every level of education and every part of the campus.

OptiServ® can take the heat, so it's perfect in the kitchen. The durable design of the OptiServ® can stand up to the most strenuous conditions. OptiServ® provides a reliable, hands-free dispensing solution.

OptiServ® is a low-cost and low-maintenance solution for healthcare providers. From the clinic to the lab, examination rooms to patient rooms, OptiServ is the right prescription for your facility.

OptiServ® is the perfect guest. With its durable, unique design and high capacity, OptiServ® offers your staff and guests all the comforts of more expensive dispensing systems, with five-star service.



OPTISERV®: BUILDINGS

Washrooms, breakrooms, and food service areas: The OptiServ® dispenser has a place on every floor of your building. Featuring controlled-use dispensing and a translucent cover, OptiServ® helps reduce waste and maintenance costs.



OPTISERV®: IN THE LEED®

For existing buildings or new construction, OptiServ® is the best choice to help your facility reduce waste. Controlled-use dispensing, combined with products certified by Green Seal™, is the perfect environmentally preferable solution for any building seeking to attain LEED certification.

OPTISERV®: 1, BACTERIA: 0

With Wausau Paper hands-free systems, there is no need to touch the dispenser, greatly reducing the risk of cross contamination and the spread of harmful bacteria. Wausau Paper dispensers are ideal for high-traffic washrooms, breakrooms and food preparation areas. Paper towels reduce the number of bacteria on hands unlike warm air dryers, which can increase and spread bacteria in the washroom.

WASTE NOT, WANT NOT

With each pull, the OptiServ® dispenses a single 11 inch towel. This discourages waste and saves money by helping your facility reduce paper cost and maintenance time.





OPTISERV®: EDUCATION

From Pre-School to the Ivy League, Wausau Paper offers a complete line of paper and soap products and dispensing systems for every level of education and every part of the campus.



SCHOOL COLORS

Our custom imprint option replaces our logo with yours. Available on towel, tissue and soap dispensers, custom imprinting helps you stay true to your school. Dispensers are available in five translucent colors for a coordinated appearance and at-a-glance maintenance.

THE RIGHT ANSWER

Uncontrolled roll towel dispensers promote unlimited use, waste and pilferage. The OptiServ® offers pre-measured dispensing to control costs by reducing towel consumption 20% over uncontrolled roll towels.

KEEP YOUR HANDS TO YOURSELF

With the OptiServ® hands-free system, there is no need to touch the dispenser, greatly reducing the risk of cross contamination and the spread of harmful bacteria. OptiServ® dispensers are ideal for common buildings, sports facilities and other high-traffic areas.



OPTISERV®: **FOOD SERVICE**

OptiServ® can take the heat, so it's perfect in the kitchen. The durable design of the OptiServ® can stand up to the most strenuous conditions. OptiServ® provides a reliable, hands-free dispensing solution.

CONTAMINATION ELIMINATION

Unlike warm air dryers, using the OptiServ® hands-free system after hand washing greatly reduces bacteria on palms and hands. The World Health Organization (WHO) and Centers for Disease Control and Prevention (CDC) recommend hands be washed 40-60 seconds and thoroughly dried using a paper towel. This is extremely important in food preparation areas to prevent the spread of harmful bacteria.

ON THE OTHER HAND...

The new OptiServ® features a one-of-a-kind reversible hinge mechanism, allowing the cover to be mounted on either the left or the right side. This means OptiServ® can fit into many spaces off-limits to other dispensers, allowing more choices for easy integration into your kitchen workflow.

HACCP ON THE MENU

The OptiServ® supports the principles of HACCP as an important preventive measure in avoiding cross contamination of food products as it is not required to touch the dispenser for use.

Requires an active internet connection (may take several minutes to stream depending on connection speed)



OPTISERV®: **HEALTHCARE**

OptiServ® is a low-cost and low-maintenance solution for healthcare providers. From the clinic to the lab, examination rooms to patient rooms, OptiServ is the right prescription for your facility.

THE PHYSICIAN'S ASSISTANT

OptiServ® fits right in examination and hospital rooms. The unique reversible hinge means OptiServ® can be used in many spaces off-limits to other dispensers. Controlled-use dispensing reduces time and cost, and the translucent cover allows maintenance staff to see at-a-glance when it is time to refill.

LOOK, NO HANDS

The OptiServ® greatly reduces the chance for cross-contamination as you touch only your personal towel. There are no commonly used surfaces such as levers to touch. This reduces the spread of germs throughout the healthcare facility, benefitting patients, visitors and staff.



HEALTHY PATIENTS, HEALTHY PLANET

Along with controlled-use dispensing, 100% recycled products certified by Green Seal™ represent the best environmental choice for your facility. The OptiServ® is compatible with white, natural white, and natural roll towels—with up to 1,000 feet on each roll. The Green Seal™ certification means that our Dubl-Nature® and EcoSoft™ Green Seal™ products meet the most stringent and comprehensive environmental standards in the industry, exceeding EPA guidelines for post-consumer waste content and helping your facility meet environmental regulations and goals.



OPTISERV®: **LODGING**

OptiServ® is the perfect guest. With its durable, unique design and high capacity, OptiServ® offers your staff and guests all the comforts of more expensive dispensing systems, with five-star service.

ROOM, SERVICE

The new OptiServ® features a one-of-a-kind reversible hinge mechanism, allowing the cover to be mounted on either the left or the right side. This means OptiServ® can fit into many spaces off-limits to other dispensers. In addition, its durable design helps it stand up to use in high-traffic washrooms, public areas, and food preparation areas.

MAXIMUM OCCUPANCY

The OptiServ® accommodates up to a four inch stub roll along with a new roll, which self starts after the stub roll is depleted – maximizing dispenser capacity and reducing paper waste. In addition, roll lengths are available in 800 or 1,000 feet, giving maintenance staff more time between refills.

Requires an active internet connection (may take several minutes to stream depending on connection speed)

COMFORT AND STYLE

The OptiServ® combined with DublSoft® premium roll towels will satisfy the most discriminating guests. The superior softness and absorbency provides guests with comfort in use and provides lodging facilities the assurance of performance.

OPTISERV® SPECIFICATIONS AND COLORS



86800



86830



86840



86850



86860

DISPENSER SIZE (W" X H" X D")

12¹/₈ x 16¹³/₁₆ x 9¹³/₁₆

DISPENSER WEIGHT

6.85 lbs.

CASE SIZE (W" X H" X D")

17 x 12⁵/₈ x 10¹/₁₆

CASES PER UNIT

100

AVERAGE CASE CUBE

1.3

APPROXIMATE CASE WEIGHT

7.6 lbs.

MAXIMUM IMPRINT SIZE (W" X H")

1³/₄ x 1

MINIMUM IMPRINT ORDER QUANTITY

1 Pallet (100 dispensers)



ADA TITLE III COMPLIANT

The OptiServ® Dispenser is ADA Title III compliant when installed according to the guidelines outlined in the ADA Standards for Accessible Design. Paper is easily dispensed from the OptiServ® with one hand, with less than 5 lbs of force, and without tight grasping, pinching or twisting of the wrist.

WAUSAU PAPER® CONTROLLED ROLL TOWELS

Controls waste, maintenance time and costs.



DublSoft

This embossed DublSoft® controlled roll towel is best suited for class A office buildings, hotel convention facilities, and healthcare facilities. It features superior softness, strength and absorbency and is designed for users who are greatly concerned with the image of their building.








 Dubl-Nature®

Made from a superior grade of 100% recycled wastepaper for exceptional brightness and absorbency, Dubl-Nature® is ideal for customers who prefer a recycled towel with exceptional quality and performance.

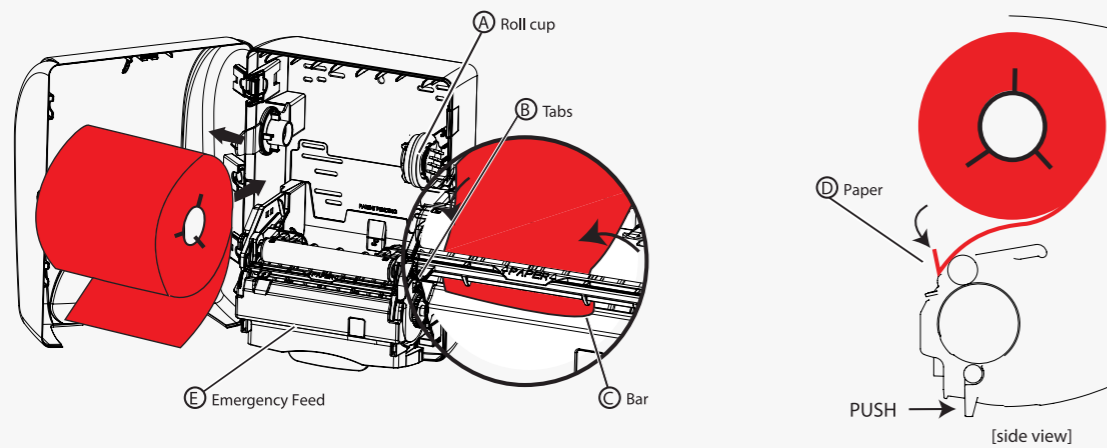


EcoSoft™ 

EcoSoft™ Green Seal™ controlled roll towels satisfy those who prefer to purchase quality towels produced with methods less harmful to the environment. This roll towel is 100% recycled and exceeds EPA guidelines for post-consumer wastepaper content.

No.	Name	Color	Roll Width	Feet/Roll	Rolls/Case	Feet/Case	Cases/Unit	Cases/ Even Layer	Average Case Cube	Approximate Case Weight
06308	DublSoft®	White	8"	630	6	3,780	55	5	1.8	28 lbs.
31090	 Dubl-Nature®	White	8"	1,000	6	6,000	55	5	1.8	29 lbs.
38090	 Dubl-Nature®	White	8"	800	6	4,800	55	5	1.8	27 lbs.
31000	 EcoSoft™ Green Seal™	Natural	8"	1,000	6	6,000	55	5	1.8	29 lbs.
31300	 EcoSoft™ Green Seal™	Natural	8"	800	6	4,800	55	5	1.8	27 lbs.
31400	 EcoSoft™ Green Seal™	Natural White	8"	800	6	4,800	55	5	1.8	27 lbs.
31500	EcoSoft™	Natural	8"	630	6	3,780	55	5	1.9	25 lbs.
31600	EcoSoft™	White	8"	630	6	3,780	55	5	1.9	22 lbs.
31900	EcoSoft™	White	8"	800	6	4,800	55	5	1.8	28 lbs.

OPTISERV® **LOADING AND STUB ROLL FEATURE**



LOADING THE OPTISERV® DISPENSER

- 1** Insert roll into dispenser with the notches on the right lined up with the notched roll holder (Fig. A) on the right side of the dispenser.

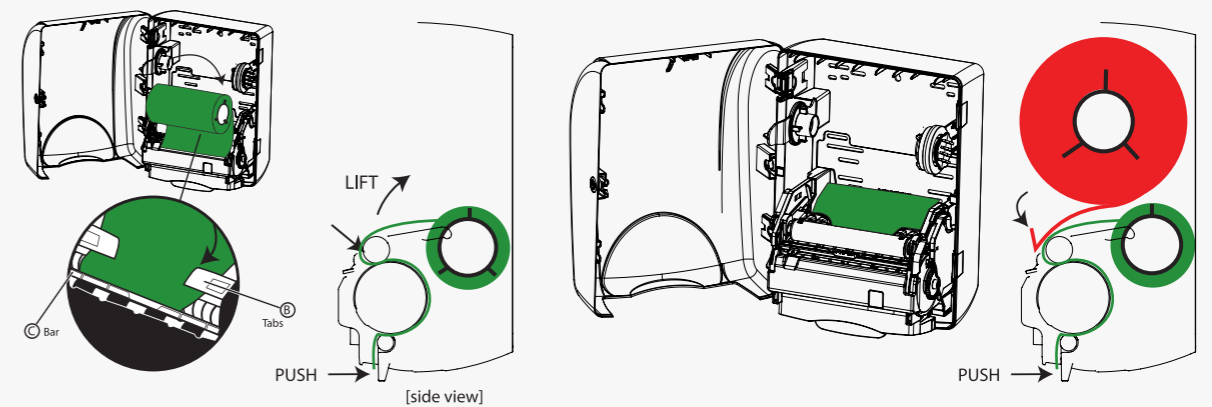
Insérer en rouleau distributeur avec les encoches sur le droit aligné avec le rouleau encoché titulaire (Fig. A) sur le côté droit de votre distributeur.

Insertar en dispensador rollo con las muescas de la derecha alineada con la muesca roll titular (Fig. A) en el lado derecho de su distribuidor.

- 2** Thread paper over the tabs (Fig. B) and under the bar (Fig. C). Crease the tail of paper upward (Fig. D). Push emergency feed (Fig. E) to start paper.

Thread sur le papier onglets (Fig. B) et sous la barre (Fig. C). Crease la queue de papier vers le haut (Fig. D). Push urgence feed (Fig. E) pour démarrer le papier.

Hilo de papel sobre la pestañas (Fig. B) y en la barra (Fig. C). Crease la cola de papel hacia arriba (Fig. D). Empuje de alimentación de emergencia (Fig. E) para iniciar el papel.



LOADING THE STUB ROLL

- 1** Remove stub roll from roll supports leaving the paper threaded through the dispenser. Lift bar (Fig. C) and place stub roll paper under tabs. Place stub roll in the bottom of your dispenser.

Suppression de talon roll roll soutient en laissant le papier filetée si votre distributeur. Ascenseur bar (Fig. C) et le lieu talon rouleau de papier sous les onglets (Fig. B). Place talon de rouler dans le fond de votre distributeur.

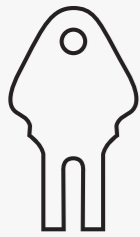
Eliminar talón rollo de rollo de papel apoya salida de rosca a pesar de su distribuidor. Levante la barra (Fig. C) y el lugar talón de rollos de papel bajo las pestañas (Fig. B). Lugar talón rollo en el fondo de su distribuidor.

- 2** Load new roll according to “Loading Instructions.”
Nouveau rouleau de charge, selon les «Instructions de Chargement».
Carga nuevo rollo de acuerdo a “Instrucciones de Carga.”

Requires an active internet connection (may take several minutes to stream depending on connection speed)

OPTISERV® COVER CHANGE PROCEDURE

Note: Prior to changing the cover, remove and discard the two transportation screws holding the cassette in place.



Z KEY

1. Open the dispenser door with the Z key.
2. Remove the cassette by pushing the Z key into the slots in the center of the back wall of the dispenser while pushing the cassette up. Set the cassette aside.

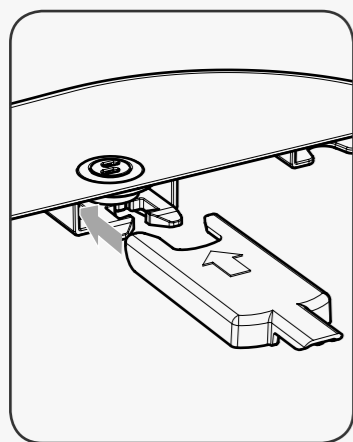
3. Remove the cover by pushing in at the bottom of each door hinge to release it.

4. Set the cover down on a flat surface.

5. Remove the hinges from the cover by pushing in at the base of each hinge.

6. Take the hinges directly over to the opposite side of the cover and install them.

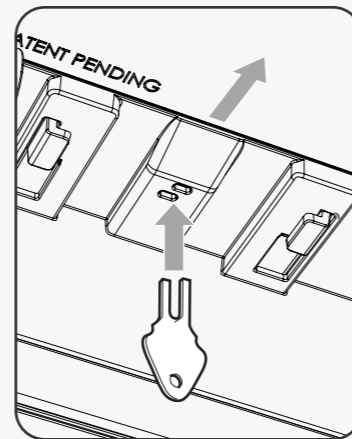
7. Now take the lock key tool and place it down into the lock cavity, with the smooth side out.



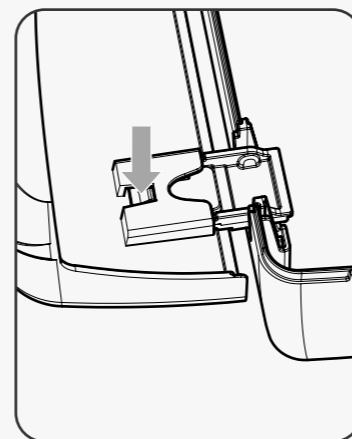
STEP 9

8. Push down firmly to release the lock plug. Set the lock plug aside.

9. Now, moving to the opposite side of the cover, remove the lock by pushing the lock tool down around the lock and pushing the lock out with your Z key.



STEP 2



STEP 5

10. Transfer the lock to the other side of the cover.

11. Make sure the flat side of the circle is down and the inner posts are vertical, between the lock arms.

12. Push in until you hear a snap.

13. Now snap the lock plug in the opposite side of the cover making sure the flat side of the lock plug is down.

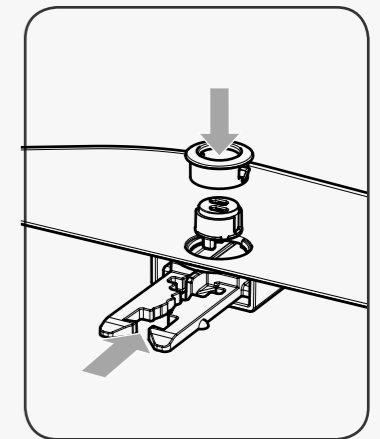
14. Remove the hinge plates from the base.

15. Now place the hinge plates in the opposite side of the base.

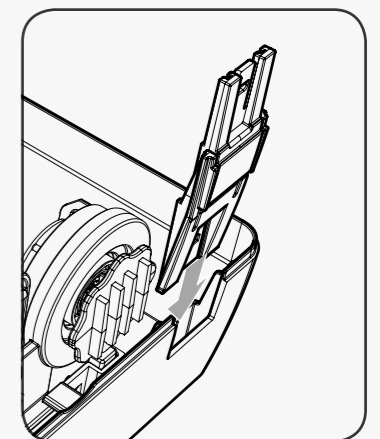
16. Attach the cover by sliding the hinges into place. Press firmly until you hear a snap.

17. Replace the cassette by sliding it down against the back housing until it locks in place.

18. Close the cover.



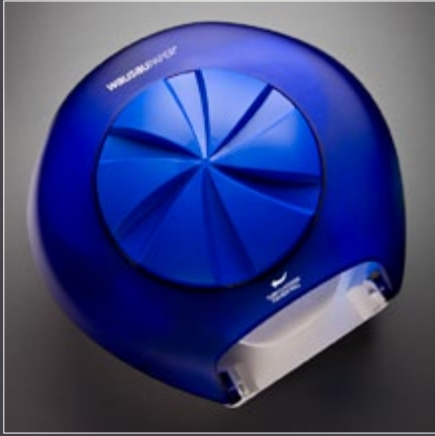
STEP 11



STEP 15

Requires an active internet connection (may take several minutes to stream depending on connection speed)

TOTAL WASHROOM SOLUTIONS



Wausau Paper produces Authentically Green™ towel, tissue, and soap products and stylish, versatile dispensing systems.

For more information, visit wausaupaper.com.



GREEN.

NEW!



The dispenser is red* and the paper inside is bright white. But really, it's all green. Dubl-Nature® roll towels are certified by Green Seal™ and contain up to 43% post-consumer waste. The new OptiServ® dispenser controls use to discourage wasted paper. Together, Wausau Paper products help your facility stay green, no matter what color dispenser you choose.

800.723.0001
wausau.com

*Of course, it could also be black, green, blue, or white, and custom-imprinted with your logo.



CONTACT WAUSAU PAPER

Please fill out the form to receive more information about Wausau Paper products. Fields in green are required.

NAME

TITLE

ORGANIZATION

PHONE

EMAIL

ADDRESS LINE 1

ADDRESS LINE 2

CITY

STATE/PROVINCE

ZIP/POSTAL CODE

COMMENTS

**I HAVE AN INTEREST IN THE FOLLOWING PRODUCTS
(PLEASE CHECK ALL THAT APPLY)**



CONTROLLED ROLL TOWEL DISPENSERS

Wave n'Dry®
OptiServ Hybrid®
OptiServ®
OptiServ Accent™



CONTROLLED TISSUE DISPENSERS

Revolution® 3-Roll
Dubl-Serv® Vertical 2-Roll
Dubl-Serv® Side-by-Side 2-Roll



HAND CARE SYSTEMS

OptiSource Convertible™ Dispensers
OptiSource® Foam and Lotion Soaps
OptiSource® Non-Alcohol Instant Hand Sanitizer

WAUSAU PAPER TOWEL & TISSUE, LLC

1150 Industry Road • PO Box 189 • Harrodsburg, Kentucky 40330 • 800.723.0001 • www.wausaupaper.com

ABOUT THIS DOCUMENT

© 2011 WAUSAU PAPER TOWEL & TISSUE, LLC

Product specifications and availability are subject to change.

OPTISERV® DISPENSING SYSTEMS (OSV800-PDF)

This document is formatted for a resolution of 1024 x 768 and a display containing millions of colors

SYSTEM REQUIREMENTS

Windows XP/Vista/7

Mac OS X

Adobe Reader 8 or later (some features may not be available in third-party PDF software)

Some features require an active internet connection. These features may be blocked by proxy or firewall. Please contact your network administrator for assistance.

Viewing on an iOS device (iPhone, iPad, iPod Touch) may require third-party software; some features may not be available.

ADOBE READER KEYBOARD SHORTCUTS

Fit Page: CTRL (CMD) + 0

Full Screen: CTRL (CMD) + L

Exit Full Screen: ESC

Green Seal™ is a trademark of Green Seal, Inc. in Washington, DC. Used with permission.

www.greenseal.org

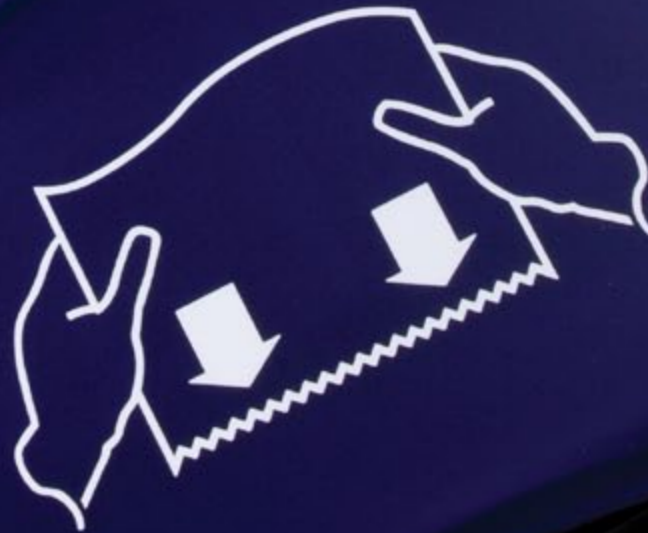
ALPHABETICAL INDEX OF PAGES (CLICK TO NAVIGATE)

.138	
.000	
.092	
.487	
.612	
4.362	
4.987	
5.737	
6.862	
7.362	
3.896	
3.358	
3.109	
2.959	
2.625	
4.296	
3.896	
3.496	
2.620	

OPTISERV® HANDS-FREE DISPENSING SYSTEM

OptiSERV®

WausauPAPER®



PUSH

PUSH

Some components may require an active internet connection.