



 **ProTeam**[®]
Cleaning for Health[®] Since 1987



PRODUCT CATALOG • JULY 2021



GAME CHANGING INNOVATION

1983	First lightweight backpack vacuum developed in Larry Shideler's garage out of PVC pipe.
1987	ProTeam opens manufacturing plant in Boise, Idaho & implements Cleaning for Health®
1990	ProTeam introduces Four Level® Filtration - an improved approach to vacuum cleaner filtration
1991	ProTeam introduces Team Cleaning® seminars - an organized system to improve productivity, efficiency, quality and safety of cleaning programs
2002	ProTeam offers exclusive partnership with the American Lung Association
2003	ProTeam introduces the first battery powered backpack to the commercial marketplace
2009	ProTeam becomes part of the globally operating Emerson Professional Tools platform
2010	ProTeam expands by introducing a new line of Wet/Dry ProGuard Vacuums
2012	ProTeam launches the next generation in cleaning comfort, the Super Coach Pro Series
2013	ProTeam launches cordless efficiency with the GoFree® Pro
2014	ProTeam launches ProTeam University, ProGen 12/15 Units, & improves GoFree Flex Pro battery
2016	ProTeam launches new website
2017	ProTeam improves GoFree Flex Pro battery vacuum with longest runtime in the market
2018	ProTeam launches FlexFit® Comfort Harness
2019	ProTeam launches FreeFlex® cordless/corded upright vacuum
2020	ProTeam launches GoFree® Flex Pro II battery vacuum

Partners in Indoor Air Quality Education

ProTeam is a proud partner of the American Lung Association. Together, we fight for clean indoor air so that we all can breathe easier. We spend the majority of our time indoors, so breathing healthy air where we live, work and play is critical.

ProTeam is committed to developing innovative cleaning technologies to address indoor air quality concerns and supporting the American Lung Association in their strategic imperative to improve the air we breathe.

For more information on indoor air quality, call 1-800-LUNG-USA or visit Lung.org.



The American Lung Association does not endorse product, device or service.

Cleaning for Health®

Improved Air Quality

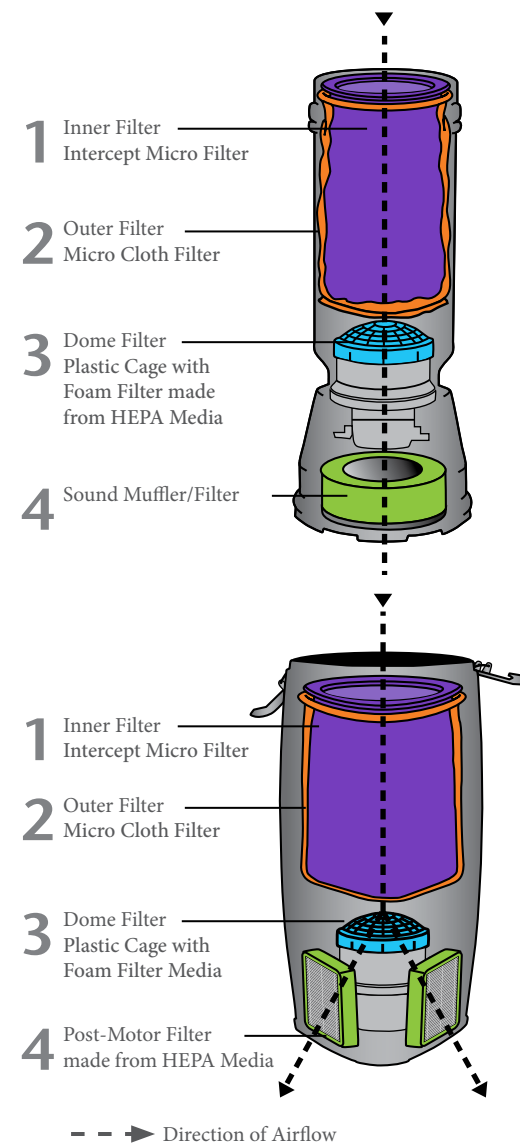
ProTeam vacuums retrieve soil and safely contain harmful particles within a ProLevel Filtration® system, featuring multiple levels of filters, preventing them from being reintroduced back into the environment.

Filtration

ProLevel Filtration technology better captures microscopic dust that may harm health and trigger asthma or allergies. Most ProTeam vacuums have Four Levels of Filtration, each level designed to sift out smaller and smaller particles. The Intercept Micro® Filter is the first line of defense.

The Super Coach Pro 10/6, GoFree Flex Pro II and Super HalfVac Pro have a revolutionary filtration system to reduce emissions. Easy-access, post-motor filter made from HEPA media, capture and contain microscopic particulates and carbon dust.

The unique ProTeam method of suction-vacuuming cleans carpets, hard floors, and other surfaces without stirring up dust – so the air stays cleaner, the furniture collects less dust, and operators can work without breathing unhealthy air.



ProTeam Products:

Super Coach Pro® 10	2
Super Coach Pro 6	3
Super CoachVac®	4
Super QuarterVac®	5
MegaVac®	6
AviationVac®	7
Super HalfVac® Pro	8
RunningVac®	9
ProGen® 12/15	10
ProForce® 1500XP/1200XP	11
LineVac® HEPA/ULPA	12
ProVac FS 6	13
QuietPro® BP	14
QuietPro CN HEPA	15
GoFree® Flex Pro II	16
FreeFlex®	17
ProTeam Wet/Dry and Air Movers	18
ProBlitz® AirMover	19
ProGuard® LI 3 Cordless	20
ProGuard 4 Portable	21
ProGuard 10/16 MD	22
ProGuard 15/20	23
Attachment Kits	24-26
Individual Attachments	27-30
Filters	31-32
Point-of-Purchase Items	32
Accessories/Educational Materials	33
Replacement Parts	34
ProTeam Parts Lists:	
Super Coach Pro 10/Super Coach Pro 6/ProVac FS 6 Parts	35
Super CoachVac Parts	36
Super QuarterVac Parts	37
MegaVac Parts	38
Super HalfVac Pro Parts	39
RunningVac/ProVac CN Parts	40
AviationVac Parts	41
QuietPro CN HEPA Parts	42
QuietPro BP Parts	43
FreeFlex Parts	44
GoFree Flex Pro II Parts	45
ProGen 12/15 Parts	46-47
ProForce 1500XP/1200XP Parts	48-49
LineVac Parts	50
ProGuard 16 MD Parts/ProBlitz AirMover Parts	51
ProGuard LI 3 Cordless Parts/ProGuard 4 Portable Parts	52
ProGuard 10 Parts	53
ProGuard 15/20 Parts	54
Parts Index	55-60
Product Warranty	Inside Back Cover
Sales Representatives	Back Cover

Warranty Info

Most ProTeam products carry an unmatched limited 3 year parts, labor and motor warranty. Limited lifetime warranty on molded body parts for backpack and canister vacuums. Please see page 64 for complete warranty details. Battery products and specialty wet/dry vacuums excluded, refer to individual products.

Prices effective 7/1/2021. All specifications and offers are in effect at the time of printing and are subject to change without notice. Performance calculation specs are based on average motor specs or average vacuum system performance. See individual product page for reference. Sound testing based on ASTM F1334-14.

ProTeam products made from HEPA media fall under different product categories:

Triangular Backpack & Canister Vacuums

The filtration value of ProTeam's ProLevel Filtration® System in this vacuum is achieved by the use of a multi-stage filtration system, including intercept micro filter, micro cloth filter, plastic cage with foam filter, and post-motor filter made from HEPA media, as tested per ASTM F3150.

Cylindrical Backpacks

The filtration value of ProTeam's ProLevel Filtration® System in this vacuum is achieved by the use of a multi-stage filtration system, including intercept micro filter, micro cloth filter, plastic cage with foam filter made from HEPA media, and post-motor filter, as tested per ASTM F3150.

Upright Vacuums

The filtration value of ProTeam's ProLevel Filtration® System in this vacuum is achieved by the use of a multi-stage filtration system, including intercept micro filter, foam filter, and post-motor filter made from HEPA media, as tested per ASTM F3150.

Trademarks and Patents

ProTeam, Super Coach Pro, Super CoachVac, LineVac, ProVac, AviationVac, RunningVac, ProForce, ProGen, QuietPro, GoCartVac, GoFree, Super QuarterVac, MegaVac, FlexFit, Super HalfVac, ProGuard, ProBlitz, Qwik Lock, ProDuster, Cleaning for Health, Four Level, ProLevel Filtration, JetSweep, Intercept Micro, QuietPower, Xover, ProBlade, FreeFlex and Team Cleaning are trademarks and registered trademarks of ProTeam, Inc. ManageMen is a registered trademark of ManageMen in the USA. Velcro is a registered trademark of Velcro Industries in the USA.

ProTeam Super Coach Pro® 10

107303* Super Coach Pro 10 w/
Xover Telescoping Wand Tool Kit D (107100)

\$567

A productive large capacity triangular shape vacuum combined with ProTeam's innovative articulating harness provides a backpack vacuum that feels more like a part of your body providing comfort and cleaning with ease. The weight of the backpack is distributed to the natural center of gravity, so you have better balance no matter how you move.



ProTeam Super Coach Pro® 6

107310* Super Coach Pro 6 w/
Xover Telescoping Wand Tool Kit D (107100)

\$557

The Super Coach Pro 6 commercial backpack vacuum delivers unsurpassed power in an ergonomic, lightweight and comfortable frame. With a smaller footprint, it's easy to maneuver in tight spaces. Easy access post motor filter made from HEPA media captures and contains microscopic particulates and carbon dust.



ERGONOMIC



LARGE CAPACITY



PRODUCTIVE

Specifications

Weight:	12.5 lbs./5.67 kg
Motor Airflow:	153 CFM
Static Lift:	91 in.
Motor:	1108 W/9.5 A
Decibel:	69.7 dBA
Capacity:	10 qt./11 L
ProLevel Filtration® w/Four Levels of Filtration:	1372 sq. in. total area

**ProLevel Filtration System with HEPA Media

captures 99.84% at 0.3-.5 microns per ASTM F3150

Limited Warranty

3 years parts, labor and motor on vacuum

Limited lifetime on molded body parts

*STANDARD CONFIGURATION

14" Xover Floor Tool Telescoping Wand	3" Dust Brush 17" Crevice Tool
5" Upholstery Tool	

RELATED PRODUCTS

107313	Intercept Micro Filters, 10/pk	\$20.80
--------	--------------------------------	---------

OPTIONAL CONFIGURATIONS

107304	w/Xover® Two-Piece Wand Tool Kit B (107098)	\$567
107305	w/Xover Performance Telescoping Wand Tool Kit C (107099)	567
107306	w/Hard Surface Flooring Kit A (101829)	577
107338	w/Hard Surface Flooring Kit B (107336)	577
107339	w/Hard Surface Flooring Kit C (105889)	577
107340	w/15" Carpet Sidewinder® Kit A (106820)	577
107341	w/18" Carpet Sidewinder Kit B (106841)	587
107342	w/Hard Surface Flooring Kit D (105891)	577
107465	w/Carpet and Hard Surface Sidewinder Kit C (107463)	627
107468	w/Remediation Kit (107466)	607
107536	w/ProBlade® Carpet Floor Tool Kit (107530)	567
107537	w/ProBlade Hard Surface Floor Tool Kit (107531)	577
107538	w/ProBlade Carpet and Hard Surface Floor Tool Kit (107532)	617

Specification calculations are based on average motor performance.



TIME SAVINGS



CLEANING FOR HEALTH



COST OF OWNERSHIP

Specifications

Weight:	11.8 lbs./5.35 kg
Motor Airflow:	153 CFM
Static Lift:	91 in.
Motor:	1108 W/9.5 A
Decibel:	69.7 dBA
Capacity:	6 qt./6.6 L
ProLevel Filtration® w/Four Levels of Filtration:	1054 sq. in. total area

**ProLevel Filtration System with HEPA Media

captures 99.63% at 0.3-.5 microns per ASTM F3150

Limited Warranty

3 years parts, labor and motor on vacuum

Limited lifetime on molded body parts

*STANDARD CONFIGURATION

14" Xover Floor Tool Telescoping Wand	3" Dust Brush 17" Crevice Tool
5" Upholstery Tool	

RELATED PRODUCTS

107314	Intercept Micro Filters, 10/pk (open collar)	\$15.60
107374	Intercept Micro Filters, 10/pk (closed collar)	21.76

**The filtration value of ProTeam's ProLevel Filtration System in this vacuum is achieved by the use of a multi-stage filtration system, including intercept micro filter, micro cloth filter, plastic cage with foam filter, and post-motor filter made from HEPA media, as tested per ASTM F3150.

Specification calculations are based on average motor performance.

ProTeam Super CoachVac®

107119* Super CoachVac w/
Xover Telescoping Wand Tool Kit D (107100)
\$573

The Super CoachVac is a basic backpack vacuum designed to tackle high square footage areas. Multiple floor tool kit options available to tackle hard surface or carpet.



ProTeam Super QuarterVac®

107118* Super QuarterVac w/
Xover Telescoping Wand Tool Kit D (107100)
\$568

The smaller yet equally powerful sibling of the Super CoachVac backpack vacuum, is versatile enough for any sized cleaning professional. The quality built Super QuarterVac is a formidable tool for battling poor Indoor Air Quality.



Specifications

Weight:	11 lbs./4.99 kg
Motor Airflow:	150 CFM
Static Lift:	100 in.
Motor:	1188 W/9.9 A
Decibel:	66 dBA
Capacity:	10 qt./11 L
ProLevel Filtration® w/Four Levels of Filtration:	1190 sq. in. total area

****ProLevel Filtration System with HEPA Media**
captures 99.67% at 0.3-.5 microns per ASTM F3150

Limited Warranty
3 years parts, labor and motor on vacuum
Limited lifetime on molded body parts

**The filtration value of ProTeam's ProLevel Filtration System in this vacuum is achieved by the use of a multi-stage filtration system, including intercept micro filter, micro cloth filter, plastic cage with foam filter made from HEPA media, and post-motor filter, as tested per ASTM F3150.



LARGE CAPACITY



EASY MAINTENANCE



TIME SAVINGS

*STANDARD CONFIGURATION

14" Xover Floor Tool	3" Dust Brush
Telescoping Wand	17" Crevice Tool
5" Upholstery Tool	

RELATED PRODUCTS

100331	Intercept Micro Filters, 10/pk (open collar)	\$20.80
100291	Intercept Micro Filters, 10/pk (closed collar)	31.10

OPTIONAL CONFIGURATIONS

107104	w/Xover® Performance Two-Piece Wand Tool Kit A (107097)	\$573
107109	w/Xover Two-Piece Wand Tool Kit B (107098)	573
107114	w/Xover Performance Telescoping Wand Tool Kit C (107099)	573
107602	w/ProBlade® Carpet Floor Tool Kit (107530)	573
107603	w/ProBlade Hard Surface Floor Tool Kit (107531)	583
107604	w/ProBlade Carpet and Hard Surface Floor Tool Kit (107532)	623

Specification calculations are based on average motor performance.



EASY TO USE



SUSTAINABLE



PRODUCTIVE

Specifications

Weight:	10 lbs./4.5 kg
Motor Airflow:	150 CFM
Static Lift:	100 in.
Motor:	1188 W/9.9 A
Decibel:	67 dBA
Capacity:	6 qt./6.6 L
ProLevel Filtration® w/Four Levels of Filtration:	729 sq. in. total area

****ProLevel Filtration System with HEPA Media**
captures 99.33% at 0.3-.5 microns per ASTM F3150

Limited Warranty
3 years parts, labor and motor on vacuum
Limited lifetime on molded body parts

**The filtration value of ProTeam's ProLevel Filtration System in this vacuum is achieved by the use of a multi-stage filtration system, including intercept micro filter, micro cloth filter, plastic cage with foam filter made from HEPA media, and post-motor filter, as tested per ASTM F3150.

*STANDARD CONFIGURATION

14" Xover Floor Tool	3" Dust Brush
Telescoping Wand	17" Crevice Tool
5" Upholstery Tool	

RELATED PRODUCTS

100431	Intercept Micro Filters, 10/pk (open collar)	\$15.60
106995	Intercept Micro Filters, 10/pk (closed collar)	26.76

OPTIONAL CONFIGURATIONS

107103	w/Xover® Performance Two-Piece Wand Tool Kit A (107097)	\$568
107108	w/Xover Two-Piece Wand Tool Kit B (107098)	568
107113	w/Xover Performance Telescoping Wand Tool Kit C (107099)	568
107605	w/ProBlade® Carpet Floor Tool Kit (107530)	568
107606	w/ProBlade Hard Surface Floor Tool Kit (107531)	578
107607	w/ProBlade Carpet and Hard Surface Floor Tool Kit (107532)	618

Specification calculations are based on average motor performance.

ProTeam MegaVac®

105896* MegaVac w/
Hard Surface Tool & Blower Tool Kit B (106986)
\$592

The MegaVac powers through the toughest industrial and construction clean up jobs. The versatile design allows for quick conversion into a high-powered blower while the huge filter capacity contains large amounts of debris.



ProTeam AviationVac®

106542* AviationVac w/
Aviation 1½" Tool Kit #1 (106502)
\$676

Designed exclusively for the transportation industry, the AviationVac utilizes the same 400 Hz power system used on transport vehicles without the need for bulky adapters. The lightweight wand and ergonomic backplate provide a highly efficient tool for cleaning up in a hurry.



Specifications	
Weight:	11 lbs./4.99 kg
Motor Airflow:	150 CFM
Static Lift:	100 in.
Motor:	1188 W/9.9 A
Decibel:	66 dBA
Capacity:	10 qt./11 L
ProLevel Filtration® w/Four Levels of Filtration:	1136 sq. in. total area
Limited Warranty	
3 years parts, labor and motor on vacuum	
Limited lifetime on molded body parts	

Specifications	
Weight:	10 lbs./4.5 kg
Motor Airflow:	106 CFM
Static Lift:	82 in.
Motor:	864 W/7.2 A
Decibel:	68 dBA
Capacity:	6 qt./6.6 L
ProLevel Filtration® w/Four Levels of Filtration:	676 sq. in. total area
Limited Warranty	
3 years parts, labor and motor on vacuum	
Limited lifetime on molded body parts	



BLOWER



LARGE CAPACITY



DURABLE



AIRPLANE



CLEANING FOR HEALTH



MANEUVERABLE

*STANDARD CONFIGURATION

14" Hard Floor Tool w/Horse Hair Brush	3" Dust Brush
Two-Piece, Two-Bend Aluminum Wand	17" Crevice Tool
Blower Tool	

RELATED PRODUCTS

100331 Intercept Micro Filters, 10/pk (open collar)	\$20.80
100291 Intercept Micro Filters, 10/pk (closed collar)	31.10

OPTIONAL CONFIGURATIONS

105892 w/Hard Surface Tools & Blower Tool Kit A (106984)	\$602
107137 w/Xover® Performance Two-Piece Wand Blower Tool Kit D (107160)	582
107345 w/Hard Surface Tool & Blower Tool Kit C (107337)	582
107138 w/Xover Two-Piece Wand Blower Tool Kit E (107159)	582

*STANDARD CONFIGURATION

One-Piece, Two-Bend Aluminum Wand	3" Dust Brush
12" Aluminum Gulper Floor Tool	17" Crevice Tool
5" Upholstery Tool	

RELATED PRODUCTS

100431 Intercept Micro Filters, 10/pk (open collar)	\$15.60
106995 Intercept Micro Filters, 10/pk (closed collar)	26.76

OPTIONAL CONFIGURATIONS

103024 w/Aviation 1¼" Tool Kit #2 (103222)	\$636
107155 w/Xover® Performance Telescoping Wand Tool Kit C (107099)	656

Specification calculations are based on average motor performance.

Specification calculations are based on average motor performance.

ProTeam Super HalfVac® Pro

107325* Super HalfVac Pro w/
Xover Telescoping Wand Tool Kit D (10710)
\$574

The Super HalfVac Pro provides versatility and performance in a lightweight, compact size. This sleek hipstyle vacuum features a versatile harness system for user comfort and maximum productivity.



ProTeam RunningVac®

107150* RunningVac w/
Xover Telescoping Wand Tool Kit D (107100)
\$649

With the same durable construction found in all ProTeam vacuums, the RunningVac provides exceptional cleaning strength unmatched by traditional canisters. This high-performance speed canister is the perfect solution for increasing productivity when a canister is needed.



LIGHTWEIGHT



CLEANING FOR HEALTH



EASY TO USE

Specifications

Weight:	10.5 lbs./4.76 kg
Motor Airflow:	106 CFM
Static Lift:	97 in.
Motor:	1050 W/8.5 A
Decibel:	64 dBA
Capacity:	6 qt./6.6 L
ProLevel Filtration® w/Four Levels of Filtration:	1060 sq. in. total area

**ProLevel Filtration System with HEPA Media

captures 99.88% at 0.3-.5 microns per ASTM F3150

Limited Warranty

- 3 years parts & labor
- 1 year on motor
- 3 years on molded body parts

**The filtration value of ProTeam's ProLevel Filtration System in this vacuum is achieved by the use of a multi-stage filtration system, including intercept micro filter, micro cloth filter, plastic cage with foam filter, and post-motor filter made from HEPA media, as tested per ASTM F3150.

*STANDARD CONFIGURATION

14" Xover Floor Tool	3" Dust Brush
Telescoping Wand	17" Crevice Tool
5" Upholstery Tool	

OPTIONAL CONFIGURATIONS

107327	w/Xover® Two-Piece Wand Tool Kit B (107098)	\$574
107328	w/Xover Performance Telescoping Wand Tool Kit C (107099)	574
107385	w/Restaurant Tool Kit (100727)	594
107608	w/ProBlade® Carpet and Hard Surface Floor Tool Kit (107532)	624

RELATED PRODUCTS

106960	Intercept Micro Filters, 10/pk (open collar)	\$20.80
106973	Intercept Micro Filters, 10/pk (closed collar)	24.47



COST OF OWNERSHIP



INDOOR AIR QUALITY



DURABLE

Specifications

Weight:	12 lbs./5.44 kg
Motor Airflow:	150 CFM
Static Lift:	100 in.
Motor:	1188 W/9.9 A
Decibel:	66 dBA
Capacity:	10 qt./11 L
ProLevel Filtration® w/Four Levels of Filtration:	1054 sq. in. total area

Limited Warranty

- 3 years parts, labor and motor on vacuum
- Limited lifetime on molded body parts

*STANDARD CONFIGURATION

14" Xover Floor Tool	3" Dust Brush
Telescoping Wand	17" Crevice Tool
5" Upholstery Tool	

OPTIONAL CONFIGURATIONS

107149	w/Xover® Performance Telescoping Wand Tool Kit C (107099)	\$649
107611	w/ProBlade® Carpet and Hard Surface Floor Tool Kit (107532)	699

RELATED PRODUCTS

104544	Intercept Micro Filters, 10/pk (open collar)	\$24.97
--------	--	---------

Specification calculations are based on average motor performance.

Specification calculations are based on average motor performance.

ProTeam ProGen® 12/15

- 107329 ProGen 12 **\$514**
- 107330 ProGen 15 **\$566**

The ProGen 12/15 has the added performance and features to make it an instant hit with cleaning professionals. Choose 12" or 15" width for productivity in a variety of applications. The increased maneuverability, animated dashboard display and patented Snap Lock Lid make this an upright like no other.

Ergonomic lightweight handle provides comfortable operation while the quick change cord feature and the user's ability to reach clogs in four easy access points provide quick and easy maintenance.



Specifications

Weight:	ProGen 12	17 lbs./7.71 kg
	ProGen 15	18 lbs./8.17 kg
Handle Weight:		2.7 lbs./1.22 kg
Motor Airflow:		100 CFM
Static Lift:		93 in.
Motor:		1100 W/9.8 A
Decibel:		69 dBA
Capacity:		3.25 qt/3 L
ProLevel Filtration® w/Three Levels of Filtration:		236 sq. in. total area
Cord length:	ProGen 12: 40'	ProGen 15: 50'

*ProLevel Filtration System with HEPA Media

ProGen 12: captures 97.44% at 0.3-.5 microns per ASTM F3150
ProGen 15: captures 98.36% at 0.3-.5 microns per ASTM F3150

Limited Warranty

3 years parts, labor, motor and molded body parts (except for wear items)

Specification calculations are based on average motor performance.



EASY TO USE



LAYS FLAT



2 lbs. HANDLE WEIGHT

*The filtration value of ProTeam's ProLevel Filtration System in this vacuum is achieved by the use of a multi-stage filtration system, including intercept micro filter, foam filter, and post-motor filter made from HEPA media, as tested per ASTM F3150.

RELATED PRODUCTS

- 107377 Intercept Micro Filters, 10/pk **\$15.99**

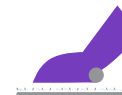
ProTeam ProForce® 1200XP/1500XP

- 107251 ProForce 1200XP **\$504**
- 107252 ProForce 1500XP **\$577**

Our top-of-the-line ProForce uprights have evolved into superior cleaning machines. The ProForce 15" uprights provide exceptional cleaning in a high-filtration upright to improve reach, durability, and Indoor Air Quality. The dual motor system and exhaust filters made from HEPA media maximize efficiency and effectiveness. The powerful ProForce contains a high-performance dual-motor system and a low profile, L-shaped head perfect for vacuuming under and around furniture.

ProForce 1500XP and ProForce 1200XP models are equipped with premium quality on-board tools including a lightweight plastic wand with a super stretch-hose.

The ProForce 1200XP is designed for advanced versatility allowing the 12" powerhead to reach even smaller spaces.



HIGH PILE



INDOOR AIR QUALITY



LAYS FLAT

*The filtration value of ProTeam's ProLevel Filtration System in this vacuum is achieved by the use of a multi-stage filtration system, including intercept micro filter, foam filter, and post-motor filter made from HEPA media, as tested per ASTM F3150.

RELATED PRODUCTS

- 103483 Intercept Micro Filters, 10/pk **\$11.21**

Specification calculations are based on average motor performance.

Specifications

Weight:	18 lbs./8.17 kg
Handle Weight:	4.7 lbs./2.13 kg
Motor Airflow:	96 CFM
Static Lift:	84 in.
Motor:	924 W Dual Motor/10 A
Decibel:	67 dBA
Capacity:	3.25 qt/3 L
ProLevel Filtration® w/Three Levels of Filtration:	522 sq. in. total media

*ProLevel Filtration System with HEPA Media

ProForce 1200XP: captures 97.33% at 0.3-.5 microns per ASTM F3150
ProForce 1500XP: captures 98.73% at 0.3-.5 microns per ASTM F3150

Limited Warranty

3 years parts, labor, motor and molded body parts (except for wear items)

ProTeam LineVacer® HEPA/ULPA

100277* LineVacer HEPA w/
High Filtration Vacuum Tool Kit (100163)
\$824

The ProTeam LineVacer HEPA/ULPA backpack vacuum is equipped with a unique Four Level® filtration system which utilizes a certified HEPA or ULPA filter as the last filtration stage. The certified HEPA filter is 99.97% efficient at filtering particulates down to 0.3 microns in size and is designed so that all particulate drawn into the vacuum is expelled through the HEPA filter with no air leaking past it. The LineVacer is ideal for applications when clean air in a controlled environment is critical such as cleaning medical facilities, clean rooms and computer labs. This vacuum meets the EPA's definition of a HEPA Vacuum under the Lead Safety Renovation, Repair and Painting Rule (EPA RRP Rule).



ProTeam ProVac® FS 6

107363* ProVac FS 6 w/Restaurant Tool Kit (100727)
\$582

The ProVac FS 6 is designed specifically to triumph over the demands of the foodservice and hospitality industry. The unit is virtually indestructible – without belts, beater bars or brushes. The ProVac FS 6 rises to any foodservice challenge.



Specifications

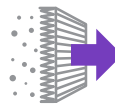
Weight:	13 lbs./5.9 kg
Motor Airflow:	124 CFM
Static Lift:	75 in.
Motor:	744 W/6.2 A
Decibel:	64 dBA
Capacity:	10 qt./11 L
Four Level® Filtration w/HEPA:	2283 sq. in. total area
Four Level Filtration w/ULPA:	3232 sq. in. total area

HEPA/ULPA Filtration

HEPA:	99.97% at 0.3 microns
ULPA:	99.999+% at 0.12 microns

Limited Warranty

3 years parts, labor & motor on vacuum
Limited lifetime on molded body parts



HEPA/ULPA



INDOOR AIR QUALITY



PERFORMANCE

*STANDARD CONFIGURATION

Two-Piece Aluminum Wand w/Button Lock	5" Upholstery Tool
36" One-Bend Bulk Pick-Up Tool	3" Dust Brush
14" Carpet Tool w/Scallops	

RELATED PRODUCTS

100291 Intercept Micro Filters, 10/pk (closed collar)	\$31.10
---	---------

OPTIONAL CONFIGURATIONS

100280 ULPA w/High Filtration Vacuum Tool Kit (100163)	\$994
107141 HEPA w/Xover® Performance Telescoping Wand Tool Kit C (107099)	824
107161 HEPA w/Turbo Brush Tool Kit (107162)	884
107471 HEPA w/Remediation Tool Kit (107466)	874

Specification calculations are based on average motor performance.



ERGONOMIC



CLEANING FOR HEALTH



EASY MAINTENANCE

*STANDARD CONFIGURATION

14" Hard Floor Tool w/Nylon Brush	14" Carpet Tool w/Scallops
Two-Piece Aluminum Wand w/ Button Lock	5" Upholstery Tool
10-pack Intercept Micro Filters	3" Dust Brush
Extra Micro Cloth Filter	11" Crevice Tool

RELATED PRODUCTS

107314 Intercept Micro Filters, 10/pk (open collar)	\$15.60
107374 Intercept Micro Filters, 10/pk (closed collar)	21.76

Specification calculations are based on average motor performance.

Specifications

Weight:	11.6 lbs./5.25 kg
Motor Airflow:	153 CFM
Static Lift:	91 in.
Motor:	1108 W/9.5 A
Decibel:	69.7 dBA
Capacity:	6 qt./6.6 L
ProLevel Filtration® w/Four Levels of Filtration:	1054 sq. in. total area

**ProLevel Filtration System with HEPA Media

captures 99.63% at 0.3-.5 microns per ASTM F3150

Limited Warranty

3 years parts, labor and motor on vacuum
Limited lifetime on molded body parts

**The filtration value of ProTeam's ProLevel Filtration System in this vacuum is achieved by the use of a multi-stage filtration system, including intercept micro filter, micro cloth filter, plastic cage with foam filter, and post-motor filter made from HEPA media, as tested per ASTM F3150.

OPTIONAL CONFIGURATIONS

107613 w/ProBlade® Carpet and Hard Surface Floor Tool Kit (107532)	\$632
--	-------

107613 w/ProBlade® Carpet and Hard Surface Floor Tool Kit (107532)	\$632
--	-------

Specification calculations are based on average motor performance.

ProTeam QuietPro® BP

107146* QuietPro BP w/
Xover Telescoping Wand Tool Kit D (107100)
\$656

The QuietPro BP with QuietPower® Technology delivers high performance and exceptional cleaning strengths for environments where low sound levels are critical. Never worry about disrupting building occupants during regular business hours again.



ProTeam QuietPro® CN HEPA

107152* QuietPro CN HEPA w/
Xover Telescoping Tool Kit D (107100)
\$719

The QuietPro CN HEPA vacuum with QuietPower Technology delivers high performance where low sound levels are critical. With a filter capacity four times the size of standard uprights, the QuietPro CN HEPA provides maximum cleaning ability.



QUIET



ERGONOMIC



PRODUCTIVE

Specifications

Weight:	11 lbs./4.99 kg	
	Low	High
Motor Airflow:	74 CFM	106 CFM
Static Lift:	45 in.	82 in.
Motor:	612 W/5.1 A	864 W/7.2 A
Decibel:	51 dBA	60 dBA
Capacity:	6 qt/6.6 L	

ProLevel Filtration® w/Four Levels of Filtration: 725 sq. in. total area

**ProLevel Filtration System with HEPA Media

captures 98.87% at 0.3-.5 microns per ASTM F3150

Limited Warranty

3 years parts, labor and motor on vacuum

Limited lifetime on molded body parts

**The filtration value of ProTeam's ProLevel Filtration System in this vacuum is achieved by the use of a multi-stage filtration system, including intercept micro filter, micro cloth filter, plastic cage with foam filter made from HEPA media, and post-motor filter, as tested per ASTM F3150.

*STANDARD CONFIGURATION

14" Xover Floor Tool 3" Dust Brush
Telescoping Wand 17" Crevice Tool
5" Upholstery Tool

OPTIONAL CONFIGURATIONS

105733	w/Carpet Two-Piece Wand Tool Kit A (100078)	\$666
107145	w/Xover® Performance Telescoping Wand Tool Kit C (107099)	656
107609	w/ProBlade® Carpet and Hard Surface Floor Tool Kit (107532)	706

RELATED PRODUCTS

100431	Intercept Micro Filters, 10/pk (open collar)	\$15.60
106995	Intercept Micro Filters, 10/pk (closed collar)	26.76



QUIET



COST OF OWNERSHIP



PRODUCTIVE

Specifications

Weight:	12 lbs./5.44 kg	
	Low	High
Motor Airflow:	85 CFM	124 CFM
Static Lift:	38 in.	75 in.
Motor:	552 W/4.6 A	744 W/6.2 A
Decibel:	47 dBA	55 dBA
Capacity:	10 qt/11 L	

Four Level® Filtration w/HEPA: 2188 sq. in. total area

HEPA Filtration

captures 99.97% at 0.3 microns

Limited Warranty

3 years parts, labor and motor on vacuum

Limited lifetime on molded body parts

*STANDARD CONFIGURATION

14" Xover Floor Tool 3" Dust Brush
Telescoping Wand 17" Crevice Tool
5" Upholstery Tool

OPTIONAL CONFIGURATIONS

107151	w/Xover® Performance Telescoping Wand Tool Kit C (107099)	\$719
107610	w/ProBlade® Carpet and Hard Surface Floor Tool Kit (107532)	789

RELATED PRODUCTS

104544	Intercept Micro Filters, 10/pk (open collar)	\$24.97
--------	--	---------

Specification calculations are based on average motor performance.

Specification calculations are based on average motor performance.

Improved Cordless Cleaning

ProTeam GoFree® Flex Pro II

107644* GoFree Flex Pro II 12 Ah w/
Xover® Telescoping Wand Tool Kit D (107100) **\$1,749**

107646* GoFree Flex Pro II 6 Ah w/
Xover Telescoping Wand Tool Kit D (107100) **\$1,329**

With a high/low power switch and two battery options, the new GoFree Flex Pro II brings greater versatility and options to professional cleaners. By cleaning at a rate 30% faster than a corded backpack and 5x faster than an upright vacuum, the GoFree Flex Pro II will save time and money. Eliminate safety and tripping concerns when going cordless.



TWO BATTERY OPTIONS



HIGH/LOW POWER SWITCH



LONG RUNTIME

Specifications

Motor Airflow:	58 CFM (low) 65 CFM (high)
Static Lift:	67 in. (low) 81 in. (high)
Motor:	36 VDC/240 W (low) 345 W (high)
Decibel:	63.9 dBA (low) 65.9 dBA (high)
Capacity:	6 qt./6.6 L
Battery Type:	Lithium Ion

ProLevel Filtration® w/ Four Levels of Filtration: 1054 sq. in. total area
****ProLevel Filtration System with HEPA Media**
 captures 99.72% at 0.3-.5 microns per ASTM F3150

	6 Ah	12 Ah
Weight:	15.5 lbs./7 kg	17.5 lbs./7.9 kg
Approximate Runtime:	50 mins. (low) 35 mins. (high)	101 mins. (low) 73 mins. (high)
Approximate Full Charge Time:	1.5 hrs.	3 hrs.
Minimum Charge Cycles:	500	850

Limited Warranty

6 Ah: 3 years parts and labor, 2 years motor and charger, 1 year battery, Limited lifetime on molded body parts
12 Ah: 3 years parts and labor, 2 years motor, battery and charger, Limited lifetime on molded body parts

OPTIONAL CONFIGURATIONS

107645	12 Ah w/ProBlade® Carpet and Hard Surface Floor Tool Kit (107532)	\$1,799
107650	12 Ah w/Xover Two-Piece Wand Tool Kit B (107098)	1,749
107647	6 Ah w/ProBlade Carpet and Hard Surface Floor Tool Kit (107532)	1,379
107651	6 Ah w/Xover Two-Piece Wand Tool Kit B (107098)	1,329

All vacuums purchased in kit configurations include battery and charger.

*STANDARD CONFIGURATION

14" Xover Floor Tool	3" Dust Brush
Telescoping Wand	17" Crevice Tool
5" Upholstery Tool	

RELATED PRODUCTS

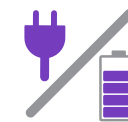
107314	Intercept Micro Filters, 10/pk	\$15.60
107513	12 Ah Replacement Battery	999.00
107637	6 Ah Replacement Battery	619.00
107516	Battery Charger	223.60

ProTeam FreeFlex®

107499 FreeFlex Hybrid Cordless/Corded **\$1,499**
 107503 FreeFlex Corded **\$599**

ProTeam introduces the new standard of upright innovation, the FreeFlex battery-powered hybrid upright vacuum. A state-of-the-art Lithium Ion battery provides approximately 72-minute runtime with the option to plug into an outlet for ongoing cleaning.

Cordless cleaning improves safety and eliminates time-consuming cord management tasks for a focused clean. You will be surprised how far you can go with this latest technology by ProTeam.



HYBRID POWER OPTIONS



SAFETY



LONG RUNTIME

Specifications

	Cordless	Corded
Weight:	17.6 lbs./7.98 kg	13.9 lbs./6.3 kg
Handle Weight:	1.8 lbs./0.82 kg	1.4 lbs./0.64 kg
Vacuum Airflow:	53 CFM	68 CFM
Static Lift:	14 in.	25 in.
Motor:	220 W/92 VDC/2.4 A	400 W/120 VAC/ 2.4 A (low), 3.4 A (high)
Decibel:	75 dBA	75 dBA (low) 82 dBA (high)
Capacity:	3.25 qt/3 L	3.25 qt/3 L
Cord Length:	40'	40'
Battery Type:	Lithium Ion	-
Approximate Runtime:	72 mins.	-
Approximate Charge Time:	93 mins.	-
Charge Cycles:	up to 850	-
ProLevel Filtration®:	295 sq. in. total area	295 sq. in. total area

*ProLevel Filtration System with HEPA Media

captures 99.70% at 0.3-.5 microns per ASTM F3150

Limited Warranty

2 years motor, battery and charger
 3 years parts, labor and molded body parts (except wear items)

*The filtration value of ProTeam's ProLevel Filtration System in this vacuum is achieved by the use of a multi-stage filtration system, including foam filter bag housing and four-layer synthetic filter made from HEPA media, as tested per ASTM F3150.

RELATED PRODUCTS

107502	Intercept Micro Filters, 10/pk	\$27.04
107500	Replacement Battery	899.00
107501	Battery Charger	306.34
843108	Clog Removal Tool	10.59

107499 FreeFlex Cordless includes battery, charger and cord.
 All units come equipped with one clog removal tool.

ProTeam Wet/Dry Vac

REMOVE & PREVENT FACILITY DAMAGE

Have the right equipment on hand to respond to any challenge big or small – quickly and conveniently. ProGuard Wet/Dry Vacuums deliver unmatched power, performance and durability and include thoughtful features that make our vacuums easier and more convenient to use.

ProTeam ProBlitz®

- 107132 ProBlitz **\$299**
- 107596 ProBlitz XP **\$355**

ProBlitz XP now features daisy chain receptacles where user can connect 2 additional air movers for large area drying. Maximum airflow and low amp draw combine to make the ProBlitz AirMover the first choice for Carpet Cleaners and Restoration Contractors alike. With 3 fan speeds and 3 operating positions, the ProBlitz AirMover tackles every air circulation requirement with ease.



*ProBlitz XP AirMover shown.

Specifications

Motor:	.4 HP/360 Watt/Capacitor	
Amperage:	Low	2.4 A
	Medium	2.7 A
	High	3.0 A
Motor Airflow:	2200 CFM (max)	
Weight:	28 lbs./12.7 kg	
Decibel:	Low	63 dBA
	Medium	65 dBA
	High	66 dBA
Housing:	2-Piece High-Impact Polypropylene w/Built-in Cord Wrap	
Storage:	Vertically stackable and top-mounted carry handle	
Blower Wheel:	High-Impact Polypropylene	
Drying Positions:	Three - 0°, 45°/60° (XP model only), 90°	
Transportation:	Telescoping handle and wheels (XP model only)	
Power Cord:	ProBlitz - 30'	
	ProBlitz XP - 25'	
Circuit Breaker:	8 amp max (XP model only)	

Limited Warranty

3 years parts, labor and motor
 Limited lifetime on molded housing

RELATED PRODUCTS

- 107300 Carpet Clamp Kit **\$58.71**

Specification calculations are based on average motor performance.



ProTeam ProGuard® LI 3 Cordless

107495 ProGuard LI 3 Cordless **\$379**

The ProGuard LI 3 Cordless Vacuum combines powerful vacuum performance with the cord-free convenience of 18-volt Lithium Ion power for quick cleanup. The ProGuard LI's lightweight design and narrow profile makes this vacuum easy-to-carry and easy-to-store.



ProTeam ProGuard® 4 Portable

107128 ProGuard 4 Portable w/4 Gallon Tool Kit (107184) **\$263**

Power and versatility come together in the portable ProGuard 4 Wet/Dry Vacuum. For emergency spills, detail cleaning and portable jobsite maintenance, there's no better choice for true wet/dry vacuum performance in an easy-to-carry package.



Specifications

Motor:	18 Volt, permanent magnet DC
Motor Airflow:	60 CFM
Static Lift:	38"
Tank Size:	3 gallon/11.4 L
Weight:	10.5 lbs./4.8 kg
Decibel:	72 dBA
Fine Dust Cartridge Filter:	903 sq. in.
Battery Type:	Lithium Ion
Approximate Runtime:	14 minutes
Approximate Charge Time:	60 minutes

Standard Configuration

2' to 7' Stretch Vacuum Hose
Crevice Tool
Dust Brush
Claw Nozzle
Battery and Charger
Limited Warranty
3 years on parts and labor
1 year on vacuum motor, battery and charger
Limited lifetime on molded body parts

Specifications

Motor:	1080 W/9.0 A
Motor Airflow:	142 CFM
Static Lift:	51"
Tank Size:	4 gallon/15.2 L
Weight:	12 lbs./5.5 kg
Decibel:	76 dBA
Fine Dust Cartridge Filter:	903 sq. in.
Power Cord:	20', 18 AWG

Limited Warranty

3 years on parts and labor
1 year on vacuum motor
Limited lifetime on molded body parts

Standard Configuration

10' Vacuum Hose
Two-Piece Wand
Master Floor Tool
Carpet Insert
Hard Surface Insert
Squeegee Insert
Crevice Tool
Dust Brush
Claw Nozzle

RELATED PRODUCTS

107496 Battery Assembly	\$140.39
107656 Charger	79.50

RECOMMENDED ENVIRONMENTS

- Education
- Healthcare
- Hospitality
- Facility Service Providers

RECOMMENDED APPLICATIONS

- Small Spills
- Flooding
- Jobsite Cleanup
- Day Porters
- Spot Cleaning

Specification calculations are based on average motor performance.

RELATED PRODUCTS

107182 Intercept Micro Filters, 3/pk	\$18.00
--------------------------------------	---------

RECOMMENDED ENVIRONMENTS

- Education
- Healthcare
- Hospitality
- Facility Service Providers

RECOMMENDED APPLICATIONS

- Emergency Spills
- Spot Cleaning
- Jobsite Maintenance
- Flooding
- Day Porters

Specification calculations are based on average motor performance.

ProTeam ProGuard® 10/16 MD

107129 ProGuard 10 w/Wet/Dry Tool Kit (107187) **\$544**
 107386 ProGuard 16 MD w/Wet/Dry Tool Kit (107187) **\$522**

The ProGuard 10 and 16 MD Wet/Dry Vacuums offer durable construction and powerful performance. With a heavy duty, 2-stage motor and commercial grade tools and hose, they will keep working even in the toughest environments.

ProGuard 16 MD has a removable handle allowing for easy storage and is equipped with a convenient tool bag to hold all necessary hand tools within reach.



Specifications

Motor Airflow:	105 CFM	
Static Lift:	95"	
Motor:	1380 W/9.5 A	
ProGuard Filter:	Polypropylene Screen	
Fine Dust Cartridge Filter:	1142 sq. in.	
	10	16 MD
Weight:	28 lbs./12.7 kg	29 lbs./13.2 kg
Decibel:	68 dBA	66 dBA
Tank Size:	10 gallon/38 L	16 gallon/60.6 L
Power Cord:	50', 14 AWG	50', 16 AWG

Limited Warranty

3 years parts, labor and motor on vacuum
 Limited lifetime on molded body parts

*STANDARD CONFIGURATION

10' Vacuum Hose	Squeegee Tool
Two-Piece Wand	Crevice Tool
Nylon Floor Tool	Dust Brush

RECOMMENDED ENVIRONMENTS

- Education
- Healthcare
- Hospitality
- Facility Service

RECOMMENDED APPLICATIONS

- Retail
- Emergency/Floor Cleanup
- Hard Floor/Refinishing
- Manufacturing

RELATED PRODUCTS

107181 ProGuard 10 Intercept Micro Filters, 3/pk \$24.33

Specification calculations are based on average motor performance.

ProTeam ProGuard® 15/20

107359 ProGuard 15 w/107187 Tool Kit & Front Mount Squeegee **\$999**

107360 ProGuard 20 w/107187 Tool Kit & Front Mount Squeegee **\$1,049**

The ProGuard 15/20 Wet/Dry Vacuums deliver high-powered performance and durability, including intuitive features that make it easier and more convenient to use. These units can help cleaning professionals respond quickly to any challenge big or small. An optional front mount squeegee system saves time, money and energy when stripping floors. Patented wheel configuration allows for increased maneuverability.



ProGuard 20 Shown with Front Mount Squeegee.

Specifications

Motor Airflow:	105 CFM	
Static Lift:	95"	
Motor:	1380 W/9.5 A	
Decibel:	69 dBA	
ProGuard Filter:	Polypropylene Screen	
Fine Dust Cartridge Filter:	1142 sq. in.	
Power Cord:	50', 14 AWG	
	15	20
Weight:	68 lbs./31 kg	70 lbs./32 kg
Tank Size:	15 gallon/57 L	20 gallon/76 L

Limited Warranty

3 years parts, labor and motor on vacuum
 Limited lifetime on molded body parts



ProGuard 15 Shown without Front Mount Squeegee.

*STANDARD CONFIGURATION

10' Vacuum Hose	Squeegee Tool
Two-Piece Wand	Crevice Tool
Nylon Floor Tool	Dust Brush

RELATED PRODUCTS

107180 Intercept Micro Filters, 3/pk \$35.34

OPTIONAL CONFIGURATIONS

107131	ProGuard 20 w/Wet/Dry Tool Kit (107187) (no squeegee)	\$856.00
107130	ProGuard 15 w/Wet/Dry Tool Kit (107187) (no squeegee)	806.00
107185	Front Mount Squeegee	222.98

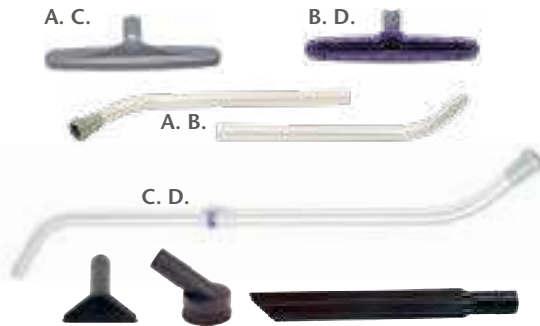
Specification calculations are based on average motor performance.

14" Xover® Floor Tool 1½" Tool Kits

Part No.	Description	List Price
A. 107097	14" Xover Performance Floor Tool (107015), Two-Piece Wand Kit (101338)	\$104.85
B. 107098	14" Xover Floor Tool (107016), Two-Piece Wand Kit (101338)	104.85
C. 107099	14" Xover Performance Floor Tool (107015), Telescoping Wand Kit (107628)	121.35
D. 107100	14" Xover Floor Tool (107016), Telescoping Wand Kit (107628)	121.35

Each kit contains:

100108	17" Crevice Tool
100110	3" Dust Brush
100115	5" Upholstery Tool



Carpet Two-Piece 1½" Wand Tool Kit

Part No.	Description	List Price
100078	14" Floor Tool w/Scallops (100147)	\$98.91

Each kit contains:

101338	56" Two-Piece, Two-Bend Aluminum Wand
100108	17" Crevice Tool
100110	3" Dust Brush
100115	5" Upholstery Tool

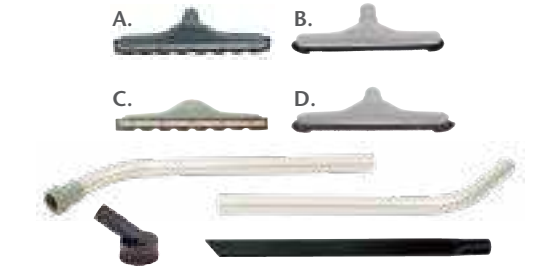


Hard Surface Two-Piece 1½" Wand Tool Kits

Part No.	Description	List Price
A. 101829	Hard Surface Tool w/Scalloped & Flat Felt Brush (106194)	\$131.91
B. 107336	Hard Surface Tool w/Nylon Brush (100623)	120.21
C. 105889	Hard Surface Tool w/Scalloped Felt Brush (100144)	120.21
D. 105891	Hard Surface Tool w/Nylon & Horse Hair Blend Brush (100614)	120.21

Each kit contains:

101338	56" Two-Piece, Two-Bend Aluminum Wand
100109PT	28" Crevice Tool
100110	3" Dust Brush



Pest Management 1¼" Tool Kit

Part No.	Description	List Price
103439	Pest Management Tool Kit	\$218.26

Each kit contains:

102361	17" Straight Plastic Wand
102399	Vibrating Upholstery Tool
102663	Mesh Bag
102684	Electronic Cleaning Kit
103089	2½" Dust Brush
103099	1¼" Adapter Cuff
103505	13" Curved Chrome Wand
103523	24" Crevice Tool (Flexi-Clean)
106343	24" to 40" Chrome Telescoping Wand w/Button Lock
106709	10" Multi-Surface Floor Tool

NOTE: Extra 10-pack Intercept Micro Filters included with purchase of SCP 6 (107371) with Integrated Pest Management (IPM) kit.



Turbo Brush 1¼" Tool Kit

Part No.	Description	List Price
100135	Turbo Brush with Wand	\$153.37

Each kit contains:

100117	11" Turbo Brush Tool
100136	54" One-Bend Chrome Tapered Wand

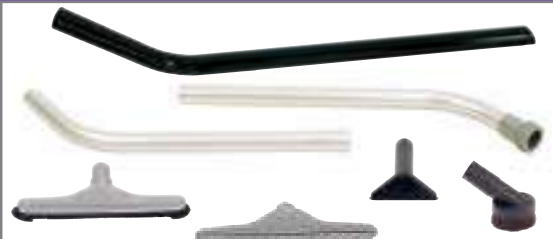


Remediation 1½" Tool Kit

Part No.	Description	List Price
107466	Remediation Tool Kit	\$162.92

Each kit contains:

101338	56" Two-Piece, Two-Bend Aluminum Wand
100110	3" Dust Brush
100115	5" Upholstery Tool
100150	36" One-Bend Bulk Pick-Up Tool
100147	14" Carpet Tool w/Scallops
100623	14" Hard Floor Tool w/Nylon Brush



Restaurant 1½" Tool Kit

Part No.	Description	List Price
100727	Restaurant Tool Kit	\$131.76

Each kit contains:

101338	56" Two-Piece Aluminum Wand w/Button Lock
100147	14" Carpet Tool w/Scallops
100110	3" Dust Brush
100115	5" Upholstery Tool
100107PT	11" Crevice Tool
100623	14" Hard Floor Tool w/Nylon Brush

Note: Extra 10-pack Intercept Micro Filters, extra cloth filter included with purchase of ProVac FS 6 (107363) and ProVac CN (103220) with Restaurant Kit.



Aviation 1½" Tool Kit #1

Part No.	Description	List Price
106502	Aviation Tool Kit	\$141.14

Each kit contains:

100110	3" Dust Brush, Horsehair	100115	5" Upholstery Tool
100108	17" Crevice Tool	100155	12" Aluminum Gulper Floor Tool
106293	49" Aluminum One-Piece, Two-Bend Wand		



Aviation 1¼" Tool Kit #2

Part No.	Description	List Price
103222	Aviation Tool Kit	\$88.60

Each kit contains:

103505	1¼" x 13" Curved Chrome Wand w/Button Lock
103086	13" Crevice Tool
103087	Upholstery Tool w/Removable Brush (103088)
103089	Dust Brush, Rectangular 90/180° Swivel
103099	Cuff Adapter
103085	12" Carpet Tool w/Scallops
106343	24" to 40" Chrome Telescoping Wand w/Button Lock

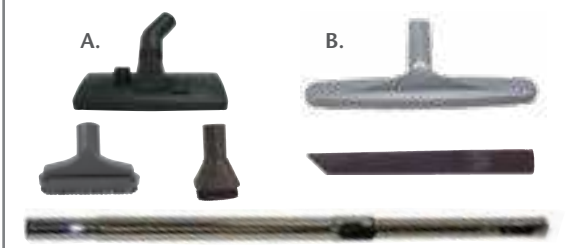


Multi-Surface 1¼" Tool Kits

Part No.	Description	List Price
A. 104885	10" Multi-Surface Floor Tool (106709)	\$74.44
B. 107290	Xover Performance Floor Tool w/1½" Adapter (107291)	118.54

Each kit contains:

106343	24" to 40" Chrome Telescoping Wand w/Button Lock
103086	13" Crevice Tool
103087	5½" Upholstery Tool w/Removable Brush (103088)
103089	2½" Dust Brush, Rectangular 90/180° Swivel

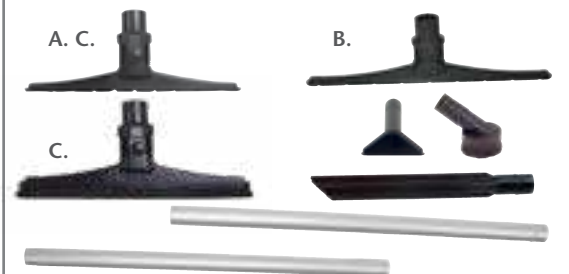


Sidewinder 1½" Tool Kits

Part No.	Description	List Price
A. 106820	15" Carpet Sidewinder Tool (106245)	\$123.60
B. 106841	18" Carpet Sidewinder Tool (105691)	134.83
C. 107463	15" Carpet Sidewinder Tool (106245) and 15" Hard Surface Sidewinder Tool (106246)	179.78

Each kit contains:

105693	59" Two-Piece Friction-Fit Straight Aluminum Wand	100110	3" Dust Brush
100108	17" Crevice Tool	100115	5" Upholstery Tool

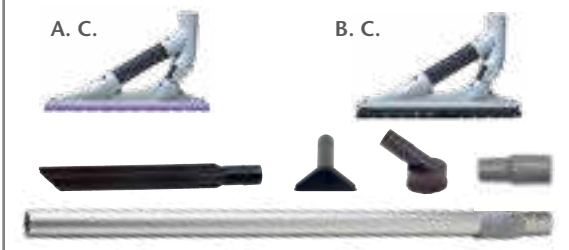


ProBlade 1½" Tool Kits

Part No.	Description	List Price
A. 107530	ProBlade Carpet Tool (107527)	\$117.98
B. 107531	ProBlade Hard Surface Tool (107528)	129.21
C. 107532	ProBlade Carpet Tool (107527) and ProBlade Hard Surface Tool (107528)	174.16

Each kit contains:

107529	Telescoping Wand	100115	5" Upholstery Tool
100108	17" Crevice Tool	103122	Cuff Adapter
100110	3" Dust Brush		



High Dusting 1½" Tool Kits

Part No.	Description	List Price
A. 107598	Straight Wand High Dusting Kit (includes: 1-3)	\$127.82
B. 107599	High Dusting Kit w/ProBlade Hard Surface Tool (includes 1-4)	179.06
C. 107600	High Dusting Curved Wand Kit (includes: 5-7)	104.36
D. 107601	Deluxe Straight and Curved Wand High Dusting Kit (includes: 1-7)	251.37

Kits contains:

1. Mesh Storage Bag (not sold separately)
2. Three-Piece Straight Friction Fit Aluminum Wands (not sold separately)
3. Straight Friction Fit Aluminum Wand with Hose Connection Ridge (not sold separately)
4. ProBlade Hard Surface Floor Tool (107528)
5. 45° Bend Wand (not sold separately)
6. 135° Bend Wand (not sold separately)
7. Wand Adapter (842300)



LineVacer 1½" Turbo Brush Tool Kit

Part No.	Description	List Price
107162	1½" Turbo Brush Friction-Fit Wand Tool Kit	\$176.91

Each kit contains:

102266	Two-Piece, One-Bend, Friction-Fit Wand	100115	5" Upholstery Tool
103608	1½" Turbo Floor Tool	100110	3" Dust Brush
100108	17" Crevice Tool		



High Filtration Vacuum 1½" Tool Kit

Part No.	Description	List Price
100163	High Filtration Tool Kit	\$112.96

Each kit contains:

101338	56" Two-Piece Aluminum Wand w/Button Lock
100147	14" Carpet Tool w/Scallops
100110	3" Dust Brush
100115	5" Upholstery Tool
100150	36" One-Bend Bulk Pick-Up Tool

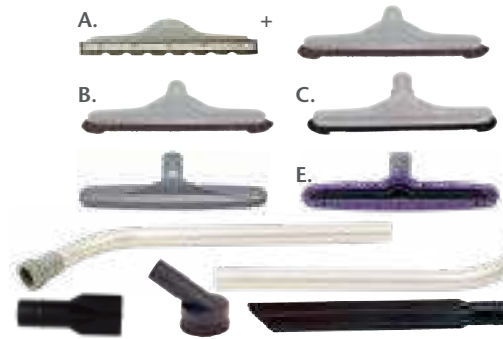


MegaVac 1½" Blower Tool Kits

Part No.	Description	List Price
A. 106984	Hard Surface Tool w/Scalloped Felt Brush (100144) and Hard Surface Tool w/Nylon & Horse Hair Blend Brush (100614)	\$158.69
B. 106986	Hard Surface Tool w/Nylon & Horse Hair Blend Brush (100614)	119.14
C. 107337	Hard Surface Tool w/Nylon Brush (100623)	104.85
D. 107160	Xover Performance Floor Tool (107015)	104.85
E. 107159	Xover Floor Tool (107016)	104.85

Each kit contains:

101338	56" Two-Piece, Two-Bend Aluminum Wand
100108	17" Crevice Tool
100110	3" Dust Brush
106993	Blower Tool



ProGuard 10/15/16/20 Wet/Dry 1½" Tool Kit

Part No.	Description	List Price
107187	ProGuard 10/15/16/20 1½" Tool Kit	\$163.99

Each kit contains:

101338	56" Two-Piece, Two-Bend Aluminum Wand
107199	Squeegee Tool
100623	Nylon Brush Floor Tool
100107PT	Crevice Tool
100110	Dust Brush



ProGuard 4 Portable Wet/Dry Tool Kit

Part No.	Description	List Price
107184	ProGuard 4 Tool Kit	\$81.82

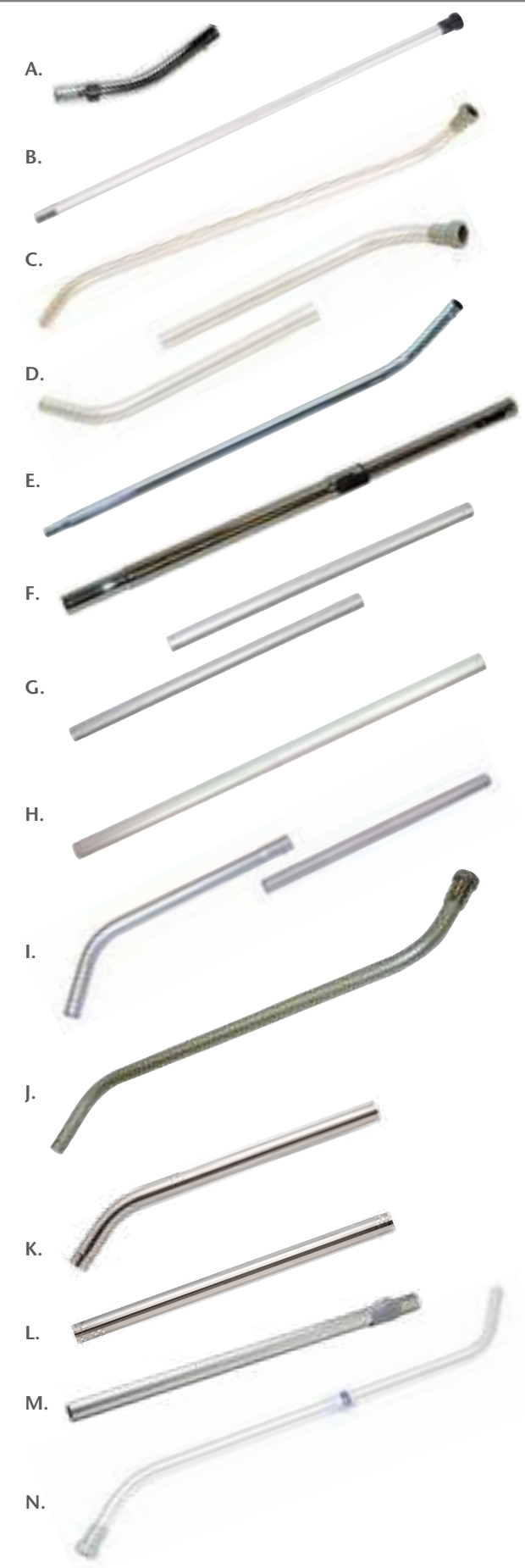
Each kit contains:

102266	Two-Piece, One-Bend, Friction-Fit Wand	107193	Squeegee Insert
107189	Master Floor Tool	107194	Crevice Tool
107191	Carpet Insert	107195	Dust Brush
107192	Floor Brush Insert	107196	Claw Nozzle






Wands

No.	Product Name	Size	List Price
A.	103505 13" Curved Chrome Wand w/Button Lock	1¼"	\$19.05
	100167 13" Curved Chrome Wand (Not Shown)	1¼"	25.00
B.	100104 60" Straight Extension* Aluminum Wand	1½"	71.28
C.	100102 56" One-Piece, Two-Bend Aluminum Wand*	1½"	70.96
D.	101338 56" Two-Piece, Two-Bend Aluminum Wand w/Button Lock*	1½"	60.02
E.	100136 54" One-Bend Chrome Tapered Wand for 1¼" Turbo Brush (100117)	1½" - 1¼"	50.71
F.	106343 24" to 40" Chrome Telescoping Wand w/Button Lock	1¼"	33.19
G.	105693 59" Two-Piece Friction-Fit Aluminum Sidewinder Straight Wand	1½"	74.03
H.	105695 59" One-Piece Friction-Fit Aluminum Sidewinder Straight Wand	1½"	68.82
I.	102266 54" Two-Piece Friction-Fit One Bend Aluminum Wand with Button Lock	1½"	70.00
J.	106293 49" One-Piece, Two-Bend Aluminum Wand w/Aluminum Coupling	1½"	70.40
K.	107188 25" Ext. Handle Curved	1½"	32.38
L.	107190 25" Ext. Handle Straight	1½"	29.08
M.	107529 32" to 57" Telescoping Straight Friction-Fit Wand (flip-lock)	1½"	75.28
N.	107628 42" to 57" Two-Piece, Two-Bend Telescoping Wand (flip-lock)	1½"	87.36










*Wands come complete with tool couplings

Multi-Surface Floor Tools					
Part No.	Product Name	Wand Diameter	Length	List Price	Photo
107016	Xover® Floor Tool Ideal use: commercial, medium pile carpet and durable flooring. Improved suction performance and design for ease of use.	1½"	14"	\$53.03	
107015	Xover® Performance Floor Tool Ideal use: commercial, medium pile carpet and durable flooring. Provides better performance of soil removal due to the agitation of the carpet. The Super CoachVac with Xover Performance Tool reaches Gold Seal of Approval Rating with the Carpet and Rug Institute.	1½"	14"	55.74	
106709	Multi-Surface Floor Tool Ideal use: low pile carpet and hard surfaces. Lever on top of tool lowers brush and duster strip hard surfaces. Use with Friction-Fit wand 106343 or 100136.	1¼"	10.75"	30.98	

Carpet Floor Tools					
Part No.	Product Name	Wand Diameter	Length	List Price	Photo
100117	Turbo Brush Ideal use: medium to high pile carpeting. Only use with Friction-Fit and wand 106343 or 100136.	1¼"	11"	\$102.25	
103085	Floor Tool w/Scallops Ideal use: low to medium pile carpeting. Only use with Friction-Fit wand 106343 or 100136.	1¼"	12"	30.53	
100730	Paddle Tool Ideal use: hard-to-reach areas on airplanes, under seats, desks, pews, stadium seats, etc.	1½"	12"	31.87	
103608	Turbo Brush Ideal use: medium to high pile carpeting. Only with Friction-Fit wand 102266.	1½"	11"	102.25	
100083	Floor Tool w/Adjustable Nylon Brush Ideal use: medium pile and Berber carpet.	1½"	11"	46.46	
100147	Floor Tool w/Scallops Ideal use: low to medium pile carpeting.	1½"	14"	37.17	
106245	15" Sidewinder® Carpet Tool Ideal use: along baseboards and crevices on low pile carpet. Only use with wand 105693 or 105695.	1½"	15"	56.45	
105691	18" Sidewinder® Carpet Tool Ideal use: along baseboards and crevices on low pile carpet. Only use with wand 105693 or 105695.	1½"	18"	65.60	
100092PT	Floor Tool w/Adjustable Nylon Brush Ideal use: medium pile and Berber carpet. Efficient for larger areas.	1½"	16"	50.44	
100155	Gulper Aluminum Floor Tool Ideal use: low pile and hard surfaces. Best for large debris. Only use with wand 106293.	1½"	12"	50.49	
836357	Turbo Brush Ideal use: medium to high pile carpeting and walk off mats.	1½"	11"	75.21	
107527	ProBlade Carpet Floor Tool Ideal use: low to medium pile carpeting, along baseboards and crevices. Use only with wand 107529.	1½"	14"	44.93	

Hard Surface Floor Tools					
Part No.	Product Name	Wand Diameter	Length	List Price	Photo
103084	Natural Fiber Hard Floor Tool Ideal use: tile, marble, vinyl, linoleum, wood. Best for floors without a high gloss finish. Only use with Friction-Fit wand 106343 or 100136.	1¼"	12"	\$34.51	
100144	Hard Floor Tool w/Scalloped Felt Brush Ideal use: floors with delicate or high polished finishes. Also for use on polyethylene barrier/visqueen when cleaning the plastic hung in work areas adhering to the EPA's RRP guidelines.	1½"	14"	53.10	
100623	Hard Floor Tool w/Nylon Brush Ideal use: tile, marble, vinyl, linoleum, wood. Best for floors without a high gloss finish. Also used with ProGuard Wet/Dry Vacuums 10/15/16/20.	1½"	14"	53.10	
100614	Hard Floor Tool w/Nylon & Horse Hair Blend Brush Ideal use: with floors with high gloss finish.	1½"	14"	57.08	
106194	Hard Floor Tool w/Felt Brush – Scalloped & Flat Ideal use: hardwood floors.	1½"	14"	58.71	
106793	8" Sidewinder Hard Floor Tool w/Horse Hair Brush Ideal use: hard-to-reach areas, walls, ceilings, corners, baseboards, vents, fans and moldings. Use only with wand 105693 or 105695.	1½"	8"	73.85	
106246	15" Sidewinder Hard Floor Tool w/Nylon Brush Ideal use: hard-to-reach areas, walls, ceilings, corners, baseboards, vents, fans and moldings. Use only with wand 105693 or 105695.	1½"	15"	58.98	
105692	18" Sidewinder Hard Floor Tool w/Nylon Brush Ideal use: hard-to-reach areas, walls, ceilings, corners, baseboards, vents, fans and moldings. Use only with wand 105693 or 105695.	1½"	18"	68.76	
101613	JetSweep 20 Hard Floor Tool w/Nylon Brush Ideal use: dust mop type of applications. Use only with Super Coach Pro, Super CoachVac, Super QuarterVac, MegaVac, ProVac CN and RunningVac.	1½"	20"	78.31	
107528	ProBlade Hard Surface Floor Tool Ideal use: hard surface areas, hard-to-reach areas, walls, ceilings, corners and baseboards. Use only with wand 107529.	1½"	14"	48.30	

Wet/Dry Vacuum Floor Tools					
Part No.	Product Name	Wand Diameter	Length	List Price	Photo
107189	Master Floor Tool (ProGuard 4) Ideal use: holds floor inserts for specialized cleaning applications.	1½"	14½"	\$13.98	
107191	Carpet Insert (ProGuard 4 used with 107189) Ideal use: low to medium pile carpeting. Wet pickup nozzle for most carpet cleaning.	1½"	14½"	9.26	
107192	Floor Brush Insert (ProGuard 4 used with 107189) Ideal use: tile, marble, vinyl, linoleum. Best for area cleanup on smooth surfaces.	1½"	14½"	16.34	
107193	Squeegee Insert (ProGuard 4 used with 107189) Ideal use: used for wet and dry pickup on smooth surfaces.	1½"	14½"	17.28	
107199	Squeegee Tool (ProGuard 10/15/16/20) Ideal use: used for wet and dry pickup on smooth surfaces.	1½"	14"	57.81	
107185	Front Mount Squeegee (ProGuard 15/20) Ideal use: floor strip recovery, flood restoration applications. The ability to go right up to walls, corners and easier in tight spaces.	1½"	28"	222.98	 Entire assembly not pictured. See Front Mount Squeegee Replacement Parts diagram page 36.
107186	Front Mount Squeegee Replacement Blade Set (ProGuard 15/20)	1½"	28"	35.79	

Note: Additional specialty attachments may be available upon request. Contact Customer Service. All attachments are non-metallic unless otherwise noted.

Crevice Tools

Part No.	Product Name	Wand Diameter	Length	List Price	Image
104832	Replacement Crevice Tool (ProForce 1500XP)	1¼"		\$3.07	
100107PT	Crevice Tool	1½"	11"	7.63	
103086	Crevice Tool	1¼"	13"	6.58	
100108	Crevice Tool	1½"	17"	10.29	
100109PT	Crevice Tool	1½"	28"	18.58	
107194	Crevice Tool (ProGuard LI 3 and ProGuard 4)	1½"	10½"	6.90	
834694	Crevice Tool (ProGen)	1½"	8"	2.34	

Dust Brushes

Part No.	Product Name	Wand Diameter	Length	List Price	Image
103089	Rectangular 90/180° Swivel	1¼"	2½"	\$7.91	
100110	Dust Brush	1½"	3"	9.24	
102659	Long Dust Brush (use 100112 Reducer Cuff when used w/High Dusting Kits)	1¼"	5"	13.53	
104833	Combo Upholstery/Dust (ProForce)	1¼"		23.15	
107195	Dust Brush (ProGuard LI 3 and ProGuard 4)	1½"		8.67	

Upholstery Tools

Part No.	Product Name	Wand Diameter	Length	List Price	Image
103087	Upholstery Tool (Includes Removable Brush No.103088)	1¼"	5½"	\$7.91	
100115	Upholstery Tool	1½"	5"	13.27	
834695	Upholstery Tool (ProGen)	1½"	5"	2.11	

Bulk Pick-Up Tool

Part No.	Product Name	Wand Diameter	Length	List Price	Image
100150	One-Bend Bulk Pick-Up Tool	1½"	36"	\$21.36	

Pipe Cleaner Tools

Part No.	Product Name	Wand Diameter	Length	List Price	Image
100113	1" to 4" Overhead Pipe Cleaner (includes Reducer Cuff)	1½"	4"	\$80.06	
100114	4" to 8" Overhead Pipe Cleaner (includes Reducer Cuff)	1½"	8"	102.81	

Miscellaneous Tool

Part No.	Product Name	Wand Diameter	Length	List Price	Image
106993	Blower Tool	1½"	2¼"	\$13.27	
107196	Claw Nozzle (ProGuard LI 3 and ProGuard 4)	1½"	4½"	13.74	

Intercept Micro Filters

Thicker, won't shred, treated with antimicrobial organic agent. Double-pleated design gives 21% more filtration area.

Case = 20 packs unless otherwise stated below Pack = 10 filters unless otherwise stated below

No.	Product Name	List Price*
107313	Intercept Micro Filters, fits Super Coach Pro 10 (Open Collar)	\$20.80
107314	Intercept Micro Filters, fits Super Coach Pro 6, GoFree Flex Pro, GoFree Flex Pro II, ProVac FS 6 (Open Collar)	15.60
107374	Intercept Micro Filters, fits Super Coach Pro 6, GoFree Flex Pro, GoFree Flex Pro II, ProVac FS 6 (Closed Collar)	21.76
100431	Intercept Micro Filters, fits Super QuarterVac, QuietPro BP, AviationVac (Open Collar)	15.60
106995	Intercept Micro Filters, fits Super QuarterVac, QuietPro BP, AviationVac (Closed Collar)	26.76
100331	Intercept Micro Filters, fits Super CoachVac, MegaVac (Open Collar)	20.80
100291	Intercept Micro Filters, fits LineVac, Super CoachVac, MegaVac (Closed Collar)	31.10
104544	Intercept Micro Filters, fits QuietPro CN HEPA, RunningVac, ProVac CN (Open Collar)	24.97
107377	Intercept Micro Filters, fits ProGen (Closed Collar) (Case = 15 packs)	15.99
103483	Intercept Micro Filters, fits ProForce (Closed Collar)	11.21
106960	Intercept Micro Filters, fits Super HalfVac Pro (Open Collar)	20.80
106973	Intercept Micro Filters, fits Super HalfVac Pro (Closed Collar)	24.47
107182	Intercept Micro Filters, One Pack of 3 fits ProGuard 4 (Open Collar) (Case = 6 packs)	18.00
107181	Intercept Micro Filters, One Pack of 3 fits ProGuard 10 (Open Collar) (Case = 6 packs)	24.33
107180	Intercept Micro Filters, One Pack of 3 fits ProGuard 15/20 (Open Collar) (Case = 6 packs)	35.34
107502	Intercept Micro Filters, One Pack of 10 fits FreeFlex (Closed Collar)	27.04

* Price is for one pack of 10 filters except ProGuard Filters which are a pack of 3



Filters made from HEPA Media

No.	Product Name	List Price
A. 106526	Dome Filter made from HEPA Media (Fits All Backpacks except SCP, GFFP, and PV FS 6)	\$15.06
B. 107005	Replacement Cartridge made from HEPA Media (Super HalfVac Pro, ProForce and ProGen) (sold individually)	6.49
C. 107315	Exhaust Filter made from HEPA Media (Super Coach Pro 10, Super Coach Pro 6, GoFree Flex Pro, GoFree Flex Pro II, ProVac FS 6) (2 pack)	12.97



HEPA Filters

No.	Product Name	List Price
A. 104274PT	HEPA Filter Assembly Complete w/Bottom Cap for LineVac (Black)	\$272.63
B. 104275	ULPA Filter Assembly Complete w/Bottom Cap for LineVac (Black)	376.41
C. 103638	HEPA Filter Assembly w/Electrical Connector for QuietPro CN HEPA	138.96



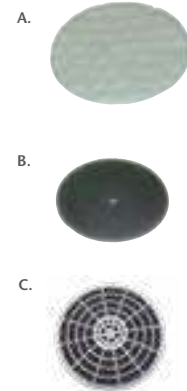
Micro Cloth Filters

No.	Product Name	List Price
834000	Micro Cloth Filter for Super Coach Pro 10	\$33.26
834072	Micro Cloth Filter for Super Coach Pro 6, GoFree Flex Pro, GoFree Flex Pro II, ProVac FS 6	27.47
100564	Micro Cloth Filter for Super QuarterVac, QuietPro BP, AviationVac	27.47
100565	Micro Cloth Filter for Super CoachVac, MegaVac, LineVac	33.26
103115	Micro Cloth Filter for QuietPro CN HEPA, RunningVac, ProVac CN	34.70
107040	Micro Cloth Filter for Super HalfVac Pro	27.47



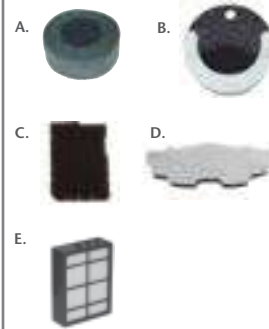
Dome / Foam Filters

No.	Product Name	List Price
A. 101220	High Filtration Discs for Dome Filter, One Pack of Two; Super QuarterVac, Super CoachVac, MegaVac, AviationVac	\$11.90
102761	High Filtration Discs for Dome Filter, One Pack of Two; RunningVac, QuietPro CN, ProVac CN	12.13
B. 510184	Foam Filter Media for Dome Filter; Super Coach Pro 10, Super Coach Pro 6, GoFree Flex Pro, GoFree Flex Pro II, ProVac FS 6	2.69
100343	Foam Filter Media for Dome Filter; Super QuarterVac, Super CoachVac, MegaVac, LineVacer	2.02
107060	Foam Filter Media for Dome Filter; Super HalfVac Pro	4.04
101949	Foam Filter Media for Dome Filter; QuietPro CN HEPA, RunningVac, ProVac CN	1.69
C. 510183	Dome Filter with Foam Media; Super Coach Pro 10, Super Coach Pro 6, GoFree Flex Pro, GoFree Flex Pro II, ProVac FS 6	8.85



Sound Muffler and Exhaust Filters

No.	Product Name	List Price
A. 105800	Sound Muffler for Super QuarterVac, AviationVac	\$32.55
100597	Sound Muffler for Super CoachVac, MegaVac	32.55
B. 103123	Exhaust/Sound Filter for RunningVac, ProVac CN	36.29
C. 104281	Motor Intake Filter (ProForce)	3.40
D. 834721	Motor Intake Filter (ProGen)	1.66
E. 105136	Exhaust Filter (ProForce - older model)	7.81



ProGuard Wet / Dry Specialty Filters

No.	Product Name	Filter Media	List Price
A. 107177	Qwik Lock™ Wet Filter, fits ProGuard 10/15/16/20	Polypropylene Screen	\$28.26
B. 107178	Qwik Lock Fine Dust Cartridge Filter, fits ProGuard LI 3/4	903 sq. in.	21.18
C. 107175	Qwik Lock Fine Dust Cartridge Filter, fits ProGuard 10/15/16/20	1142 sq. in.	28.26
D. 107176	Qwik Lock Filter made from HEPA Media, fits PG 10/15/16/20	1142 sq. in.	35.34



Point-of-Purchase Items****

No.	Product Name	List Price
A. 104029	Vac Display Mannequin Custom powder-coated metal backpack display. Holds one vacuum.	\$280.90
B. 107595	Demo Duffel Bag w/Wheels Durable product demo duffel bag with wheels holds vacuum and complete demo kit.	47.19
C. 100719	Logo Banner Attractive 4' x 6' vinyl ProTeam logo banner w/metal grommets for easy display.	52.81
D. 104160	Floor Mat Eye catching ProTeam logo mat designed to withstand years of use.	171.07
E. 107632	Pedestal 16" ProTeam branded display for showroom or tradeshow. Holds one vacuum. <i>Displays do not include vacuums.</i>	42.40



****Discounts do not apply to Point of Purchase items.

The ProTeam Vac Station

The Vac Station helps operators of any height easily slip on and off any ProTeam backpack vacuum. The ProTeam Vac Station measures 22" long, 8.5" high, and 14" deep.

No.	Product Name	List Price
102947	Vac Station (includes mounting hardware)	\$89.89
103071	Mounting Hardware Complete	27.81
106033	Wall Bracket and Screws	12.19

A sturdy steel wall bracket is mounted to the wall with three screws. The Vac Station attaches to the bracket and allows for 20" of travel. Crevice tools and floor tools slide into holes behind the vacuum. Extension cords hang from the side.



ProDuster® and Sleeves

ProDuster sleeves fit over most wand dusters and generate their own dust-attracting properties that collect and hold dust and dirt particles. The sleeves are safe for any surface as they contain no oils or waxes and won't streak or leave any residue. ProDuster sleeves will prolong the life of your wool duster, making them much more economical to replace than the entire duster. Ask for a FREE sample pack with your next order!

No.	Product Name	List Price
101533	500 Sleeves (10 packs of 50)	\$312.59
101532	50 Sleeves (1 pack of 50)	34.89



* Wool duster not included

Miscellaneous

No.	Product Name	List Price
A. 106346	Waist Belt Extension (18") Nifco	\$21.91
B. 106345	Waist Belt Extension (10") Nifco	20.98
107084	Waist Belt Extension for Super HalfVac (Not Shown)	72.02
C. 510738	Cord Holder (yellow)	2.98
D. 101394	Ergonomic Wand Handles, Set	31.01
E. 101678	50' 16-Gauge Extension Cord (Yellow)*	37.75
101611	Velcro Cord Strap (Not Shown)	1.60
F. 842193	Cord Lock (all canisters)	8.10
106261	6' Static Strap Kit (ProForce) (Not Shown)	91.34
833432	50' 14-Gauge Extension Cord w/Twist Lock Plug (Yellow) (Not Shown)	73.15



Educational Materials

Videos

All ProTeam videos can be viewed on ProTeam's website www.proteam.emerson.com in the video library or on ProTeam's Vacuum Channel on YouTube.

ManageMen® Team Cleaning® Programs

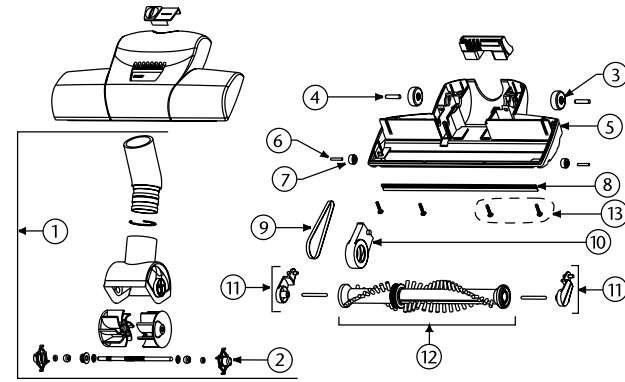
On-site training program with video* and printed support materials.

No.	Product Name	List Price
100630	Updated How to Coach a Successful Team – Audio CD, Playbook, ISSA's 612 Cleaning Times, Wooden's Pyramid of Success & a Janitor University Philosophy of Cleaning Poster	\$99.95
101122	How to Be a Light-Duty Specialist™ – Audio CD, Menu Driven DVD that also contains Spanish, Light-Duty Playbook & 1 Scouting Report	99.95
100628	Updated How to Be a Vacuum Specialist™ – Audio CD, Menu Driven DVD that also contains Spanish, Vacuum Playbook, 1 Scouting Report, and 1 Simplified Simon Vacuum Brochure	99.95
100629	How to Be a Restroom Specialist™ – Audio CD, Menu Driven DVD that also contains Spanish, Restroom Playbook & 1 Scouting Report	99.95
104152	How to Be a Utility Specialist™ in Carpet Care – Audio CD, Menu Driven DVD that also contains Spanish, Playbook & 3 Scouting Reports	99.95

*Discounts do not apply to Educational Videos

Turbo Brush Replacement Parts

No.	Product Name	List Price
1	104011 1¼" Neck Assembly Complete	\$24.74
	104012 1½" Neck Assembly Complete	24.74
2	103974 Bushing w/Holder (set of 2)	7.67
3	104017 Back Wheel, Set of 2	2.87
4	104016 Rear Axle, Set of 2	2.58
5	104021 Bottom Cover	24.89
6	104018 Front Axle, Set of 2	2.53
7	104019 Front Wheel, Set of 2	4.49
8	104022 Squeegee	2.81
9	104020 Belt	6.64
10	104023 Belt Guard	1.57
11	103975 Brush Arm, Set of 2	5.79
12	104024 Brush Roller Assembly	25.56
13	106525 Screws, Set of 2	1.19

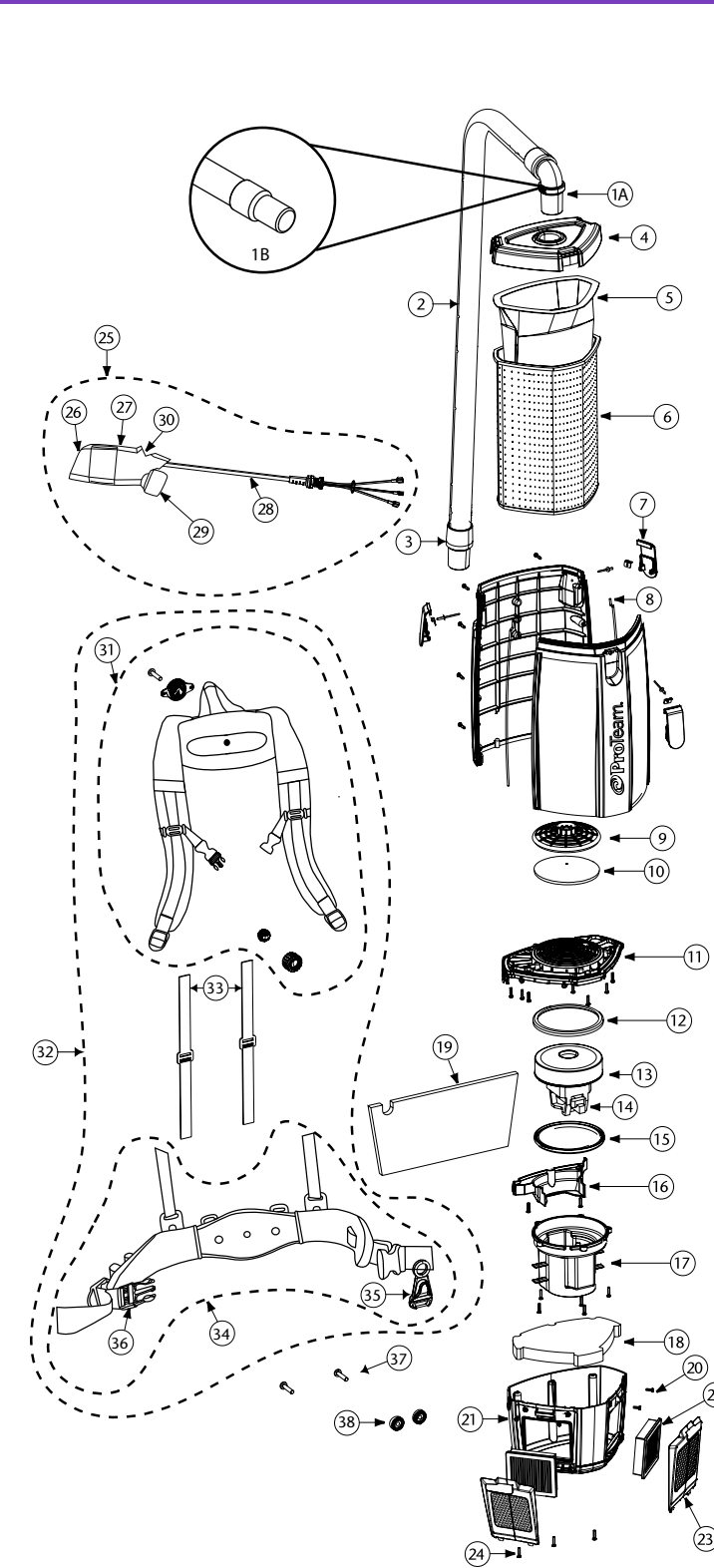
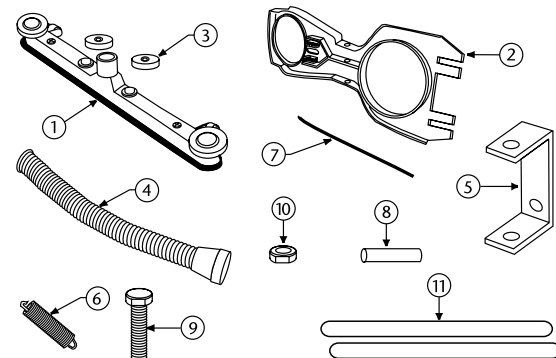


Attachment Replacement Parts

No.	Product Name	List Price
100084	Replacement Brush – 11" Floor Tool (100083)	\$ 9.96
100093	Replacement Brush – 16" Floor Tool (100092PT)	13.20
100099	Replacement Nut – Aluminum Wands (100102, 100104, 101338, 106290)	8.64
100100	Replacement Ring – Aluminum Wands (100102, 100104, 101338, 106290, 106293)	2.01
100101	Replacement Sleeve – Aluminum Wands (100102, 100104, 101338, 106290)	8.03
100112	Reducer Cuff 1¼" to 1½"	4.67
100116	Replacement Nylon Brush – 5" Upholstery Tool (100115)	7.97
100137	Replacement Nut – Aluminum Wand (106293)	12.18
100141	Replacement Bumper – 14" Floor Tool (100147)	5.73
100145	Replacement Felt – 14" Floor Tool – Straight (106194)	7.97
100146	Replacement Felt, Scalloped – 14" Floor Tool (100144 & 106194)	7.97
100598	Squeegee Blades for 107199 Tool	18.31
100713	Replacement Nylon Brush – 14" Floor Tool (100623)	18.22
100714	Replacement Nylon & Horse Hair Blend Brush w/Brush, Washer and Screw – 14" Floor Tool (100614)	23.57
101092	Reducer Cuff 1½" x 1¼" For Hose	15.88
101155	Replacement Nylon Brush – E-Z Glide 14" Floor Tool (101446)	4.82
101445	Retro Kit – 14" E-Z Glide Floor Tool (fits 101446 Floor Tool & 100147) (purple bumper, brush & screws)	29.20
101473	Repair Clip with Screws – 14" Hard Floor Tool w/Nylon Brush (100623)	2.57
101475	Repair Kit – Felt Floor Tools: Support Bars and Screws	13.45
101615	Replacement Blue Bumper for Jet Sweep 20 (101613)	9.44
101880	Replacement Nylon Brush – JetSweep 20, 20" Hard Floor Tool, Set of Two (101613)	15.93
103088	Removable Brush – 5½" Upholstery Tool (103087)	6.40
103099	Cuff Adapter 1¼" x 1¼"	3.15
103122	Cuff Adapter 1½" Friction Fit	7.30
106064	Replacement Brush – 12" Floor Tool (103084)	15.02
106961	Replacement Sleeve w/Rivets – Aluminum Wand (106293)	20.22
107020	Replacement Hose – Sidewinder Floor Tool (101475)	3.43
107076	Shoe Kit (107015 Xover Performance Floor Tool)	29.20
107077	Brush Strip (107016 Xover Floor Tool)	5.06
107078	Shoe Kit (107016 Xover Floor Tool)	29.20
107125	Button Lock Repair Kit Telescoping Wand (106343)	9.33
450017	Adjusting Nut for Telescoping Wand (106290)	8.64
510413	Straight Telescoping Wand Latch Replacement (107529) and Two-Piece, Two-Bend Telescoping Wand (107628)	6.01
842300	Wand Adapter – Friction Fit Tool to Coupling on Wand	8.30

ProGuard Front Mount Squeegee Replacement Parts

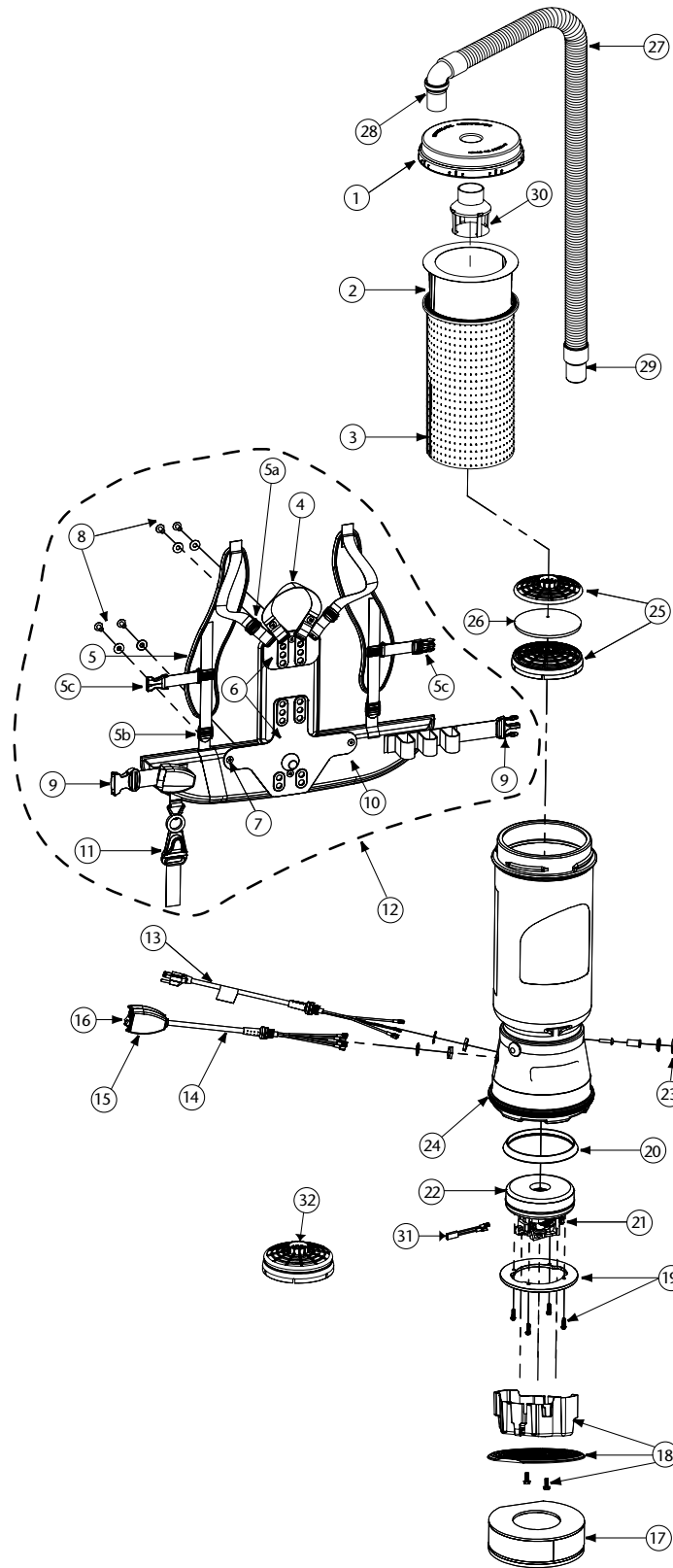
No.	Product Name	List Price
1	833532 Squeegee	\$89.44
2	833523 Squeegee Pivot Plate Assembly	95.23
3	833542 Oval Hand Knob	13.09
4	833442-1 Hose Assembly	15.16
5	833528 Squeegee Mounting Bracket	31.46
6	833529 Spring	9.55
7	830536-1 Wire Tie	6.26
8	833530 Rod	6.66
9	832397-2 3/8" Bolt	13.76
10	161255-2 3/8" Lock Nut	.90
11	107186 Replacement Blades (set of 2)	35.79



No.	Product Name	Qty	List Price
1A	101928 Replacement Double Swivel Elbow Cuff	1 ea.	\$ 10.18
1B	100694 Replacement Double Swivel Straight Cuff (PV FS)	1 ea.	6.06
2	107648 48" Static-Dissipating Hose w/ Non-Replaceable Cuffs	1 ea.	30.78
	100505 48" Static-Dissipating Hose w/Straight Cuffs (PV FS)	1 ea.	29.42
3	100694 Replacement Swivel Cuff 1½"	1 ea.	6.06
4	833948 Top Cap (Purple)	1 ea.	38.31
	833948-1 Top Cap (Black) (PV FS)	1 ea.	38.31
5	107313 Intercept Micro Filter (SCP 10)	10/pk	20.80
	107314 Intercept Micro Filter (SCP 6 & PV FS)	10/pk	15.60
6	834000 Micro Cloth Filter (SCP 10)	1 ea.	33.26
	834072 Micro Cloth Filter (SCP 6 & PV FS)	1 ea.	27.47
7	510179 Latch and Retainer w/Lock Nut & Screw	1 set	8.19
8	510180 Gasket for Tank (SCP 10)	2 ea.	5.16
	510181 Gasket for Tank (SCP 6 & PV FS)	2 ea.	3.80
9	510183 Dome Filter w/Foam Media (includes: 10)	1 set	8.85
10	510184 Foam Filter Media for Dome Filter	1 ea.	2.69
11	510193 Upper Motor Support w/Gasket	1 set	6.24
12	833951 Upper Motor Gasket	1 ea.	3.15
13	836099 Motor/Fan (120 V) (Wolong)	1 ea.	132.85
14	841933 Carbon Brush Set (Wolong)	1 set	23.57
	101720 Carbon Brush Set (Ametek)	1 set	23.57
15	833952 Lower Motor Gasket	1 ea.	2.81
16	510185 Cover Wire w/2 screws	1 set	2.88
17	510194 Lower Motor Support (5 screws)	1 set	14.73
18	834042 Triangular Lower Foam Pad	1 ea.	3.25
19	834043 Rectangular Upper Foam Pad	1 ea.	2.98
20	808380-0 Screw Pan CR #8 x ½"	1 ea.	.96
21	510188 Housing Assembly Lower w/Screws	1 set	26.74
22	107315 Exhaust Filter made from HEPA Media (2 pack)	1 set	12.97
23	841708 Exhaust Filter Door w/Latch	1 ea.	7.85
24	808380-22 Screw Pan CR #8 x ¾"	1 ea.	1.18
25	836225-1 Switch Cord and Power Cord Assembly (includes: 26-30) (PV FS)	1 set	44.93
	836225 Switch Box, Full Assembly (without power receptacle)	1 set	33.70
26	106066 On/Off Switch	1 ea.	8.02
27	836554-1 Switch Box (PV FS)	1 ea.	27.13
	836554 Switch Box (without power cord)	1 ea.	11.80
28	836480 Power Cord Assembly	1 ea.	11.22
29	841724 Power Plug Assembly	1 ea.	5.99
30	836478 Electrified Hose Receptacle (PV FS)	1 ea.	7.54
31	840112 Upper Harness Assembly	1 set	79.30
32	840011 FlexFit Harness Assembly (includes: 31, 33-34)	1 set	170.29
33	510192 Tensioning Straps	1 set	11.22
34	840114 Lower Harness Assembly (includes: 35, 36)	1 set	79.76
35	510738 Cord Holder	1 ea.	2.98
36	510301 Waist Belt Buckles and Straps Set	1 set	12.92
37	834051 5/16" - 18x1 - 3/8" Lock Screw (2 screws)	1 set	5.45
38	510186 Harness Spacers	2 ea.	3.46
	101678 50' Extension Cord (Not Shown)	1 ea.	37.75

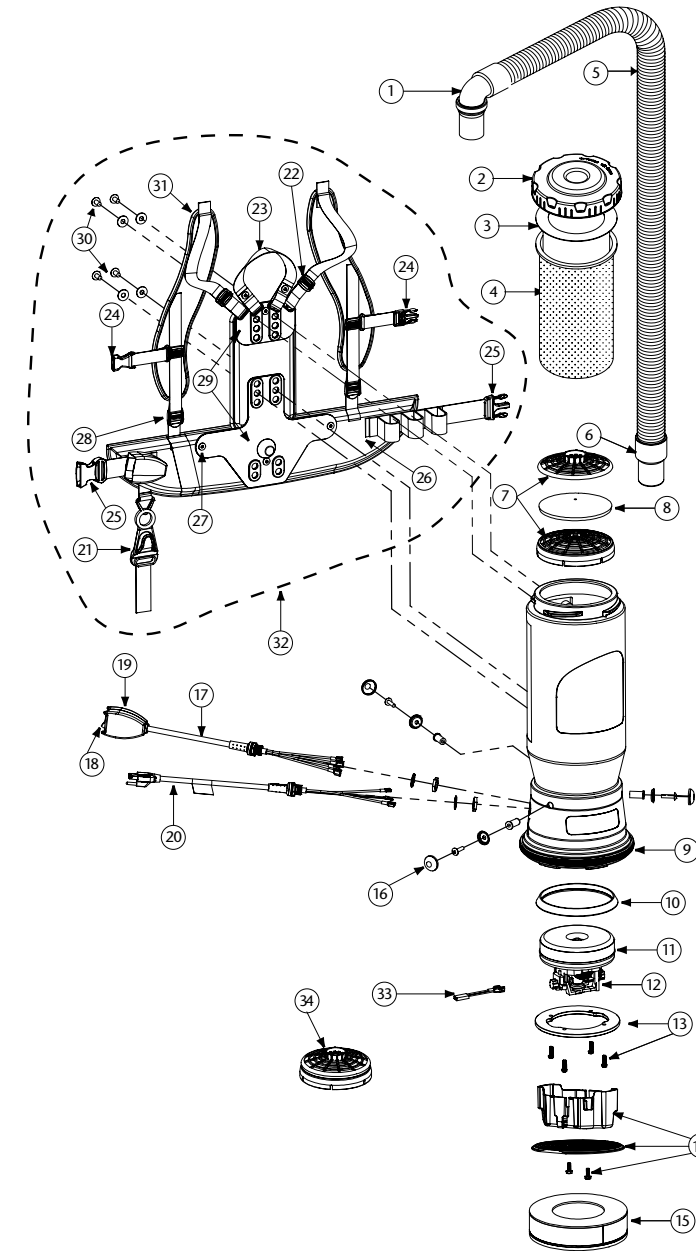
SUPER COACHVAC PARTS

No.	Product Name	Qty	List Price
1	100197 Twist Cap (Purple)	1 ea.	\$ 38.31
2	100331 Intercept Micro Filter	10/pk	20.80
3	100565 Micro Cloth Filter	1 ea.	33.26
4	101737 Carry Handle w/Rivet and Washer Set	1 set	9.60
5	100356 Shoulder Strap Assembly (includes: 5a, 5b, 5c)	1 set	19.16
	100354 Strap Assembly Complete (includes: 5, 10)	1 set	58.96
5a	100358 Shoulder Strap Plastic Adjustment Buckle (Top)	1 ea.	1.11
5b	100357 Shoulder Strap Plastic Adjustment Buckle (Bottom)	1 ea.	1.11
5c	103627 Sternum Strap Buckles (Latch and Keeper)	1 set	2.36
6	105046 Backplate (includes: 7)	1 ea.	29.48
7	100375 Barrel Nut Connection Set for Backplate (Replacement)	1 set	6.63
8	100716 Backplate (Black) Connection Set: 4 Screws w/Washers	1 set	14.73
9	106719 Waist Belt Keeper and Latch	1 ea.	13.36
10	100359 Waist Belt (includes: 9)	1 ea.	44.20
11	510738 Cord Holder	1 ea.	2.98
12	103166 Backplate (Black) System Complete (includes: 4-11)	1 set	73.69
13	100641 Power Cord Assembly	1 set	21.38
14	101610 Switch Cord Assembly (includes: 15, 16)	1 set	41.27
	101714 Switch Cord w/Crimps	1 ea.	18.29
15	101472 Switch Box w/Velcro and New Lamb Switch	1 set	26.52
16	106066 On/Off Switch (must use with #106287)	1 ea.	8.02
	106287 Switch Box w/Velcro and Screws	1 ea.	19.79
17	100597 Sound Muffler	1 ea.	32.55
18	105044 Motor Shroud/Diffuser w/Screw Set: 2 Screws	1 set	25.26
19	100335 Motor Compression Ring w/Screws	1 set	14.16
	100378 Compression Ring Screw Set: 4 Screws	1 set	3.31
20	100014 Motor Gasket	1 ea.	13.27
21	105164 Carbon Brush Set (Domel Motor)	1 set	23.57
	101720 Carbon Brush Set (Ametek Motor)	1 set	23.57
22	105162 Motor/Fan (120 V) w/Crimps	1 ea.	132.63
	100379 Motor Ground and Wire Clamp Set w/Screws	1 set	6.63
	100380 Motor Crimp Set: 4 Female, 4 Male, Ground Crimp Connector	1 set	11.79
23	100368 Motor Mounting System Set: 3 Well Nuts, 3 Bolts, 3 Washers, 3 Covers	1 set	14.73
24	100586 Bottom Bumper	1 ea.	8.11
25	100030 Dome Filter w/Foam Media (includes: 26)	1 ea.	8.85
26	100343 Foam Filter Media for Dome Filter	1 ea.	2.02
	101220 High Filtration Disk (optional)	2/pk	11.90
27	107648 48" Static-Dissipating Hose w/ Non-Replaceable Cuffs	1 ea.	30.78
28	101928 Replacement Double Swivel Elbow Cuff (Black) 1 1/2"	1 ea.	10.18
29	100694 Replacement Swivel Cuff (Black) 1 1/2"	1 ea.	6.06
30	101543 Filter Guard (Optional)	1 ea.	10.64
31	107294 Thermal Protector	1 ea.	16.17
32	106526 Dome Filter made from HEPA Media	1 ea.	15.06
	101678 50' Extension Cord (Not Shown)	1 ea.	37.75



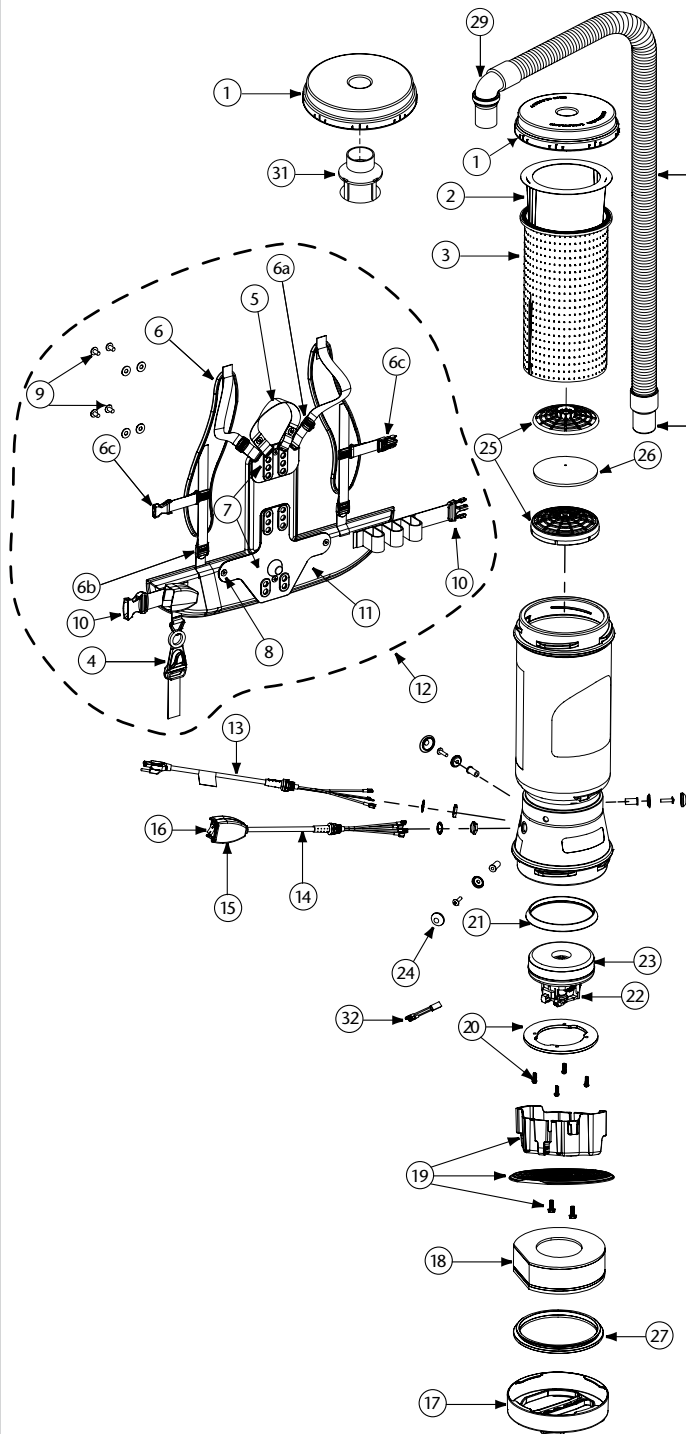
SUPER QUARTERVAC PARTS

No.	Product Name	Qty	List Price
1	101928 Replacement Double Swivel Elbow Cuff (Black) 1 1/2"	1 ea.	\$ 10.18
2	106073 Twist Cap (Purple)	1 ea.	32.42
3	100431 Intercept Micro Filter	10/pk	15.60
4	100564 Micro Cloth Filter	1 ea.	27.47
5	107648 48" Static-Dissipating Hose w/ Non-Replaceable Cuffs	1 ea.	30.78
6	100694 Replacement Swivel Cuff (Black) 1 1/2"	1 ea.	6.06
7	100030 Dome Filter w/Foam Media (includes: 8)	1 ea.	8.85
8	100343 Foam Filter Media for Dome Filter	1 ea.	2.02
	101220 High Filtration Disk (optional)	2/pk	11.90
9	100586 Bottom Bumper	1 set	8.11
10	100014 Motor Gasket	1 ea.	13.27
11	105162 Motor/Fan (120 V) w/Crimps	1 ea.	132.63
	100379 Motor Ground Wire Clamp Set w/Screws	1 set	6.63
	100380 Motor Crimp Set: 4 Female, 4 Male, Ground Crimp Connector	1 set	11.79
12	105164 Carbon Brush Set (Domel)	1 set	23.57
	101720 Carbon Brush Set (Ametek)	1 set	23.57
13	100335 Motor Compression Ring w/Screws	1 set	14.16
	100378 Compression Ring Screws: 4 Screws	1 set	3.31
14	105044 Motor Shroud/Diffuser w/Screw Set: 2 Screws	1 set	25.26
15	105800 Sound Muffler	1 ea.	32.55
16	100368 Motor Mounting System Set: 3 Well Nuts, 3 Bolts, 3 Washers, 3 Covers	1 set	14.73
17	101610 Switch Cord Assembly (includes: 18, 19)	1 set	41.27
	101714 Switch Cord w/Crimps	1 set	18.29
18	106066 On/Off Switch (must use with #106287)	1 ea.	8.02
19	101472 Switch Box w/Velcro and New Lamb Switch	1 set	26.52
	106287 Switch Box w/Velcro and Screws	1 ea.	19.79
20	100641 Power Cord Assembly	1 set	21.38
21	510738 Cord Holder	1 ea.	2.98
22	100358 Shoulder Strap Plastic Adjustment Buckle (Top)	1 ea.	1.11
23	101737 Carry Handle w/Rivet and Washer Set	1 set	9.60
24	103627 Sternum Strap Buckles (Latch and Keeper)	1 set	2.36
25	106719 Waist Belt Keeper and Latch	1 set	13.36
26	100359 Waist Belt (includes: 25)	1 set	44.20
27	100375 Barrel Nut Connection Set for Backplate (Replacement)	1 set	6.63
28	100357 Shoulder Strap Plastic Adjustment Buckle (Bottom)	1 ea.	1.11
29	105046 Backplate (includes: 27)	1 set	29.48
30	100716 Backplate (Black) Connection Set: 4 Screws w/Washers	1 set	14.73
31	100356 Shoulder Strap Assembly (includes: 22, 24, 28) Strap Assembly Complete (includes: 26, 31)	1 set	19.16
	100354 Strap Assembly Complete (includes: 26, 31)	1 set	58.96
32	103166 Backplate System Complete (includes: 21-31)	1 set	73.69
33	107294 Thermal Protector	1 ea.	16.17
34	106526 Dome Filter made from HEPA Media	1 ea.	15.06
	101678 50' Extension Cord (Not Shown)	1 ea.	37.75



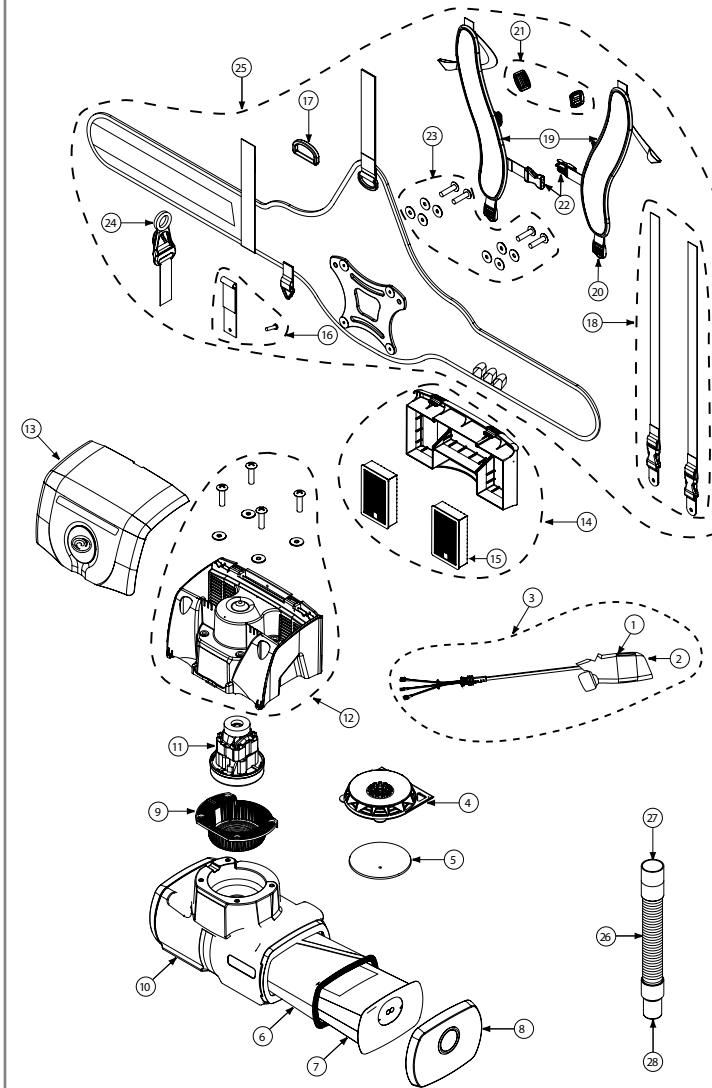
MEGAVAC PARTS

No.	Product Name	Qty	List Price
1	100320 Twist Cap (Black)	1 ea.	\$ 38.31
2	100331 Intercept Micro Filter	10/pk	20.80
3	100565 Micro Cloth Filter	1 ea.	33.26
4	510738 Cord Holder	1 ea.	2.98
5	101737 Carry Handle w/Rivet and Washer Set	1 set	9.60
6	100356 Shoulder Strap Assembly (includes: 6a, 6b, 6c)	1 set	19.16
	100354 Strap Assembly Complete (includes: 6, 11)	1 set	58.96
6a	100358 Shoulder Strap Plastic Adjustment Buckle (Top)	1 ea.	1.11
6b	100357 Shoulder Strap Plastic Adj. Buckle (Bottom)	1 ea.	1.11
6c	103627 Sternum Strap Buckles (Latch and Keeper)	1 set	2.36
7	105046 Backplate (includes: 8)	1 ea.	29.48
8	100375 Barrel Nut Connection Set for Backplate (Repl.)	1 set	6.63
9	100374 Backplate Connection Set: 4 Screws w/Washers, Stand Offs	1 set	14.73
10	106719 Waist Belt Keeper and Latch	1 ea.	13.36
11	100359 Waist Belt (includes: 10)	1 set	44.20
12	103166 Backplate System Complete (includes: 4-11)	1 set	73.69
13	100641 Power Cord Assembly	1 set	21.38
14	101610 Switch Cord Assembly (includes: 15, 16)	1 set	41.27
15	101472 Switch Box w/Velcro and New Lamb Switch	1 set	26.52
	106287 Switch Box w/Velcro and Screws	1 ea.	19.79
16	106066 On/Off Switch (must use with #106287)	1 ea.	8.02
17	105070 Bottom Twist Cap (Black)	1 ea.	44.20
18	100597 Sound Muffler	1 ea.	32.55
19	105044 Motor Shroud/Diffuser w/Screw Set: 2 Screws	1 set	25.26
20	100335 Motor Compression Ring w/Screws	1 set	14.16
	100378 Compression Ring Screw Set: 4 Screws	1 set	3.31
21	100014 Motor Gasket	1 ea.	13.27
22	105164 Carbon Brush Set for MegaVac (Domel Motor)	1 set	23.57
	101720 Carbon Brush Set for MegaVac (Ametek Motor)	1 set	23.57
23	105162 Motor/Fan (120V) w/Crimps for MegaVac	1 set	132.63
	100379 Motor Ground and Wire Clamp Set w/Screws	1 set	6.63
	100380 Motor Crimp Set: 4 Female, 4 Male, Ground Crimp Connector	1 set	11.79
24	100368 Motor Mounting System Set: 3 Well Nuts, 3 Bolts, 3 Washers, 3 Covers	1 set	14.73
25	100030 Dome Filter w/Foam Media (includes: #26)	1 ea.	8.85
26	100343 Foam Filter Media for Dome Filter	1 ea.	2.02
	101220 High Filtration Disk (optional)	2/pk	11.90
27	104998 Bottom Twist Cap Gasket	1 ea.	10.31
28	107648 48" Static-Dissipating Hose w/ Non-Replaceable Cuffs	1 ea.	30.78
29	101928 Replacement Double Swivel Elbow Cuff (Black)	1 ea.	10.18
30	100694 Replacement Swivel Cuff (Black) 1 1/2"	1 ea.	6.06
31	101543 Filter Guard (Optional)	1 ea.	10.64
32	107294 Thermal Protector	1 ea.	16.17
	101678 50' Extension Cord (Not Shown)	1 ea.	37.75

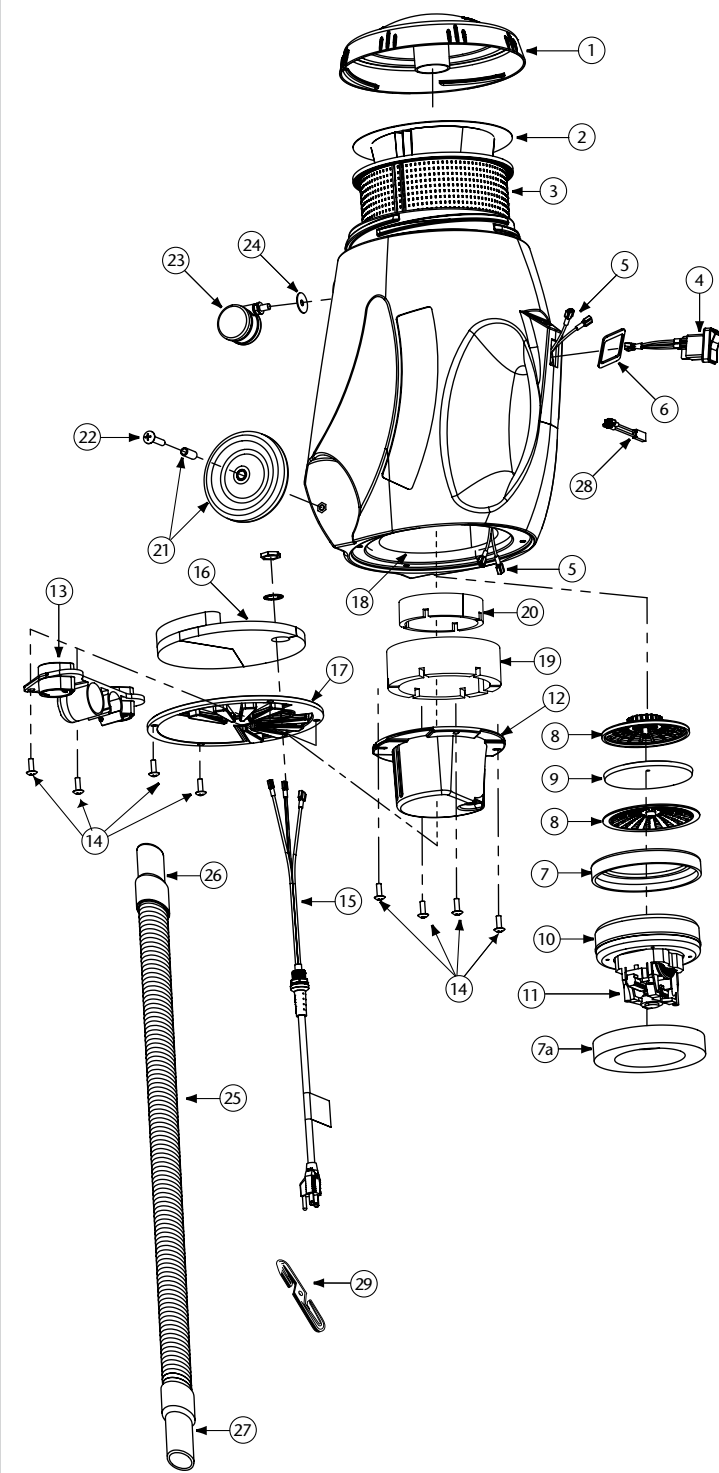


SUPER HALFVAC PRO PARTS

No.	Product Name	Qty	List Price
1	836554 Switch Box (without power cord)	1 ea.	11.80
2	106066 On/Off Switch	1 ea.	8.02
3	841722-2 Switch and Power Cord Assembly (includes: 1-2)	1 set	46.69
4	107054 Plastic Dome Filter	1 ea.	8.85
5	107060 Foam Filter Media	1 ea.	4.04
6	107040 Micro Cloth Filter	1 ea.	27.47
7	106973 Intercept Micro Filter (closed collar)	10/pk	24.47
	106960 Intercept Micro Filter (open collar)	10/pk	20.80
8	834343 End Cap (Purple)	1 ea.	7.58
9	834339 Vibration Dampener	1 ea.	9.33
10	510212 Bag Housing w/Decals	1 ea.	117.98
11	510213 Motor Assembly	1 ea.	85.39
12	510227 Upper Housing w/Screws & Washers	1 set	54.78
13	510214 Overlap Housing w/Screws	1 set	35.69
14	834333 Filter Housing w/2 Filter Cartridges (includes: 15)	1 ea.	44.89
15	107005 Filter Cartridge made from HEPA Media	2 pk	6.49
16	107048 Stabilization Strap w/Screw	1 ea.	3.82
17	107051 D-Ring	1 ea.	2.53
18	107049 Length Adjustment Strap Kit w/Buckles	1 set	10.48
19	100356 Shoulder Strap Assembly (includes: 21-24)	1 set	19.16
20	100357 Shoulder Strap Plastic Adj. Buckle (Bottom)	1 ea.	1.11
21	100358 Shoulder Strap Plastic Adj. Buckle (Top)	1 ea.	1.11
22	103627 Sternum Strap Buckles (Latch & Keeper)	1 set	2.36
23	107052 Waist Belt Assembly & Upper Housing Screw Kit	1 set	8.01
24	510738 Cord Holder	1 ea.	2.98
25	107050 Waist Belt, Complete, w/Mounting Hardware (includes: 16-24)	1 set	91.84
26	101184 Stretch Hose w/Cuffs 1 1/4" (Black)	1 ea.	25.80
	101705 Stretch Hose w/Cuffs 1 1/2" (Black)	1 ea.	36.85
27	101437 Replacement Fixed Hose Cuff (Black) 1 1/2" - 1 1/4"	1 ea.	6.29
28	101436 Replacement Swivel Cuff (Black) 1 1/4"	1 ea.	8.82
	107220 Replacement Swivel Cuff (Black) 1 1/2"	1 ea.	7.20
	101678 50' Extension Cord (Not Shown)	1 ea.	37.75

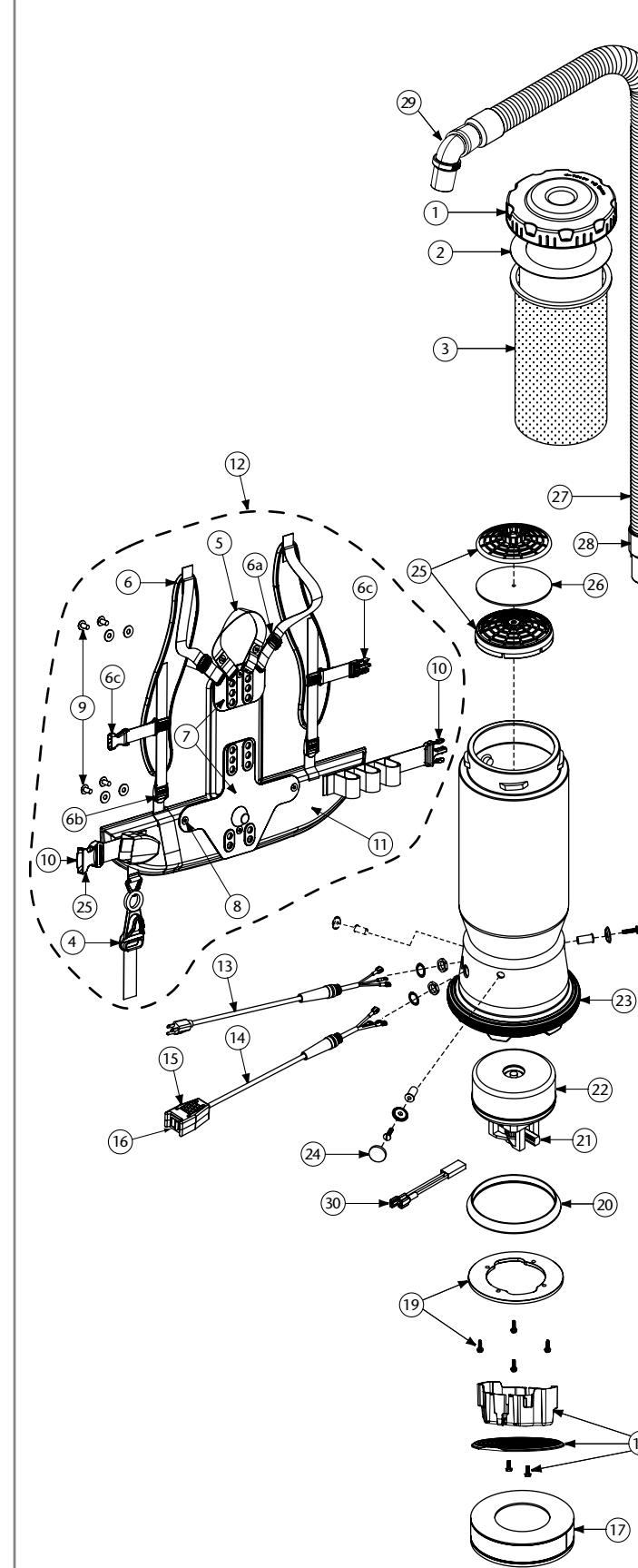


RUNNINGVAC/PROVAC CN PARTS



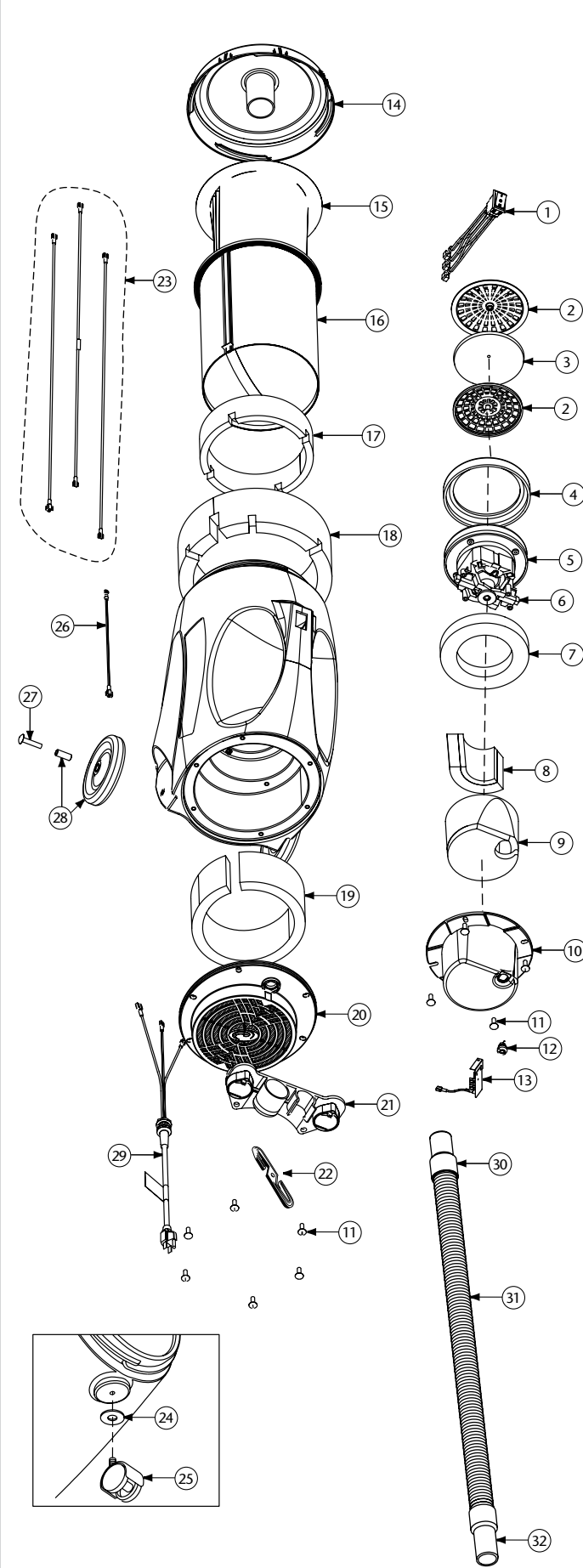
No.	Product Name	Qty	List Price
1	103318 Top Cap (Black) (ProVac CN)	1 ea.	\$ 38.31
	106889 Top Cap (Purple) (RunningVac)	1 ea.	38.31
2	104544 Intercept Micro Filter	10/pk	24.97
3	103115 Micro Cloth Filter	1 ea.	34.70
4	103327 On/Off Switch	1 ea.	26.43
5	103212 Wire Harness Assembly: 3 Wires and Strain Relief	1 set	15.16
6	106110 Gasket	1 ea.	4.83
7	103236 Motor Seal	1 ea.	7.37
7a	105430 Upper Foam Compression Ring	1 ea.	16.28
8	102784 Dome Filter w/Filter Media	1 ea.	8.85
9	101949 Replacement Foam Media for Dome Filter	1 ea.	1.69
	102761 High Filtration Disk (Optional)	2/pk	12.13
10	105687 Motor/Fan (120V)	1 ea.	132.63
11	105164 Carbon Brush Set (Domel Motor)	1 set	23.57
	101720 Carbon Brush Set (Ametek Motor)	1 set	23.57
12	103121 Motor Mount	1 ea.	23.85
13	103117 Tool Dock	1 ea.	22.12
14	103266 Motor Mount and Vented Exhaust Cover Screw Kit	1 set	6.56
15	103215 Power Cord Assembly w/Locknut and Washer	1 ea.	21.38
16	103123 Exhaust Foam	1 ea.	36.29
17	103360 Cover Assembly, Vented Exhaust	1 ea.	35.10
18	103256 Rear Foam Diffuser	1 ea.	16.85
19	103124 Foam Inlet Damper A	1 ea.	35.67
20	103125 Foam Inlet Damper B	1 ea.	14.61
21	103267 Rear Wheel Assembly Kit: 2 Wheels, 2 Spacers, 2 Screws	1 set	21.08
22	103268 Rear Wheel Mounting Screw Kit: 2 Screws	1 set	3.39
23	103114 Swivel Caster (Front Wheel)	1 ea.	13.27
24	103545 Conical Washer for Swivel Caster	1 set	4.85
25	103172 78" Static Dissipating Hose w/Cuffs (Black) 1 1/2"	1 set	38.31
26	100694 Replacement Swivel Cuff (Black) 1 1/2"	1 ea.	6.06
27	103150 Replacement Long Swivel Cuff (Black) 1 1/2"	1 ea.	12.57
28	107294 Thermal Protector	1 ea.	16.17
29	842193 Cord Lock	1 ea.	8.10
	101678 50' Extension Cord (Not Shown)	1 ea.	37.75

AVIATIONVAC PARTS



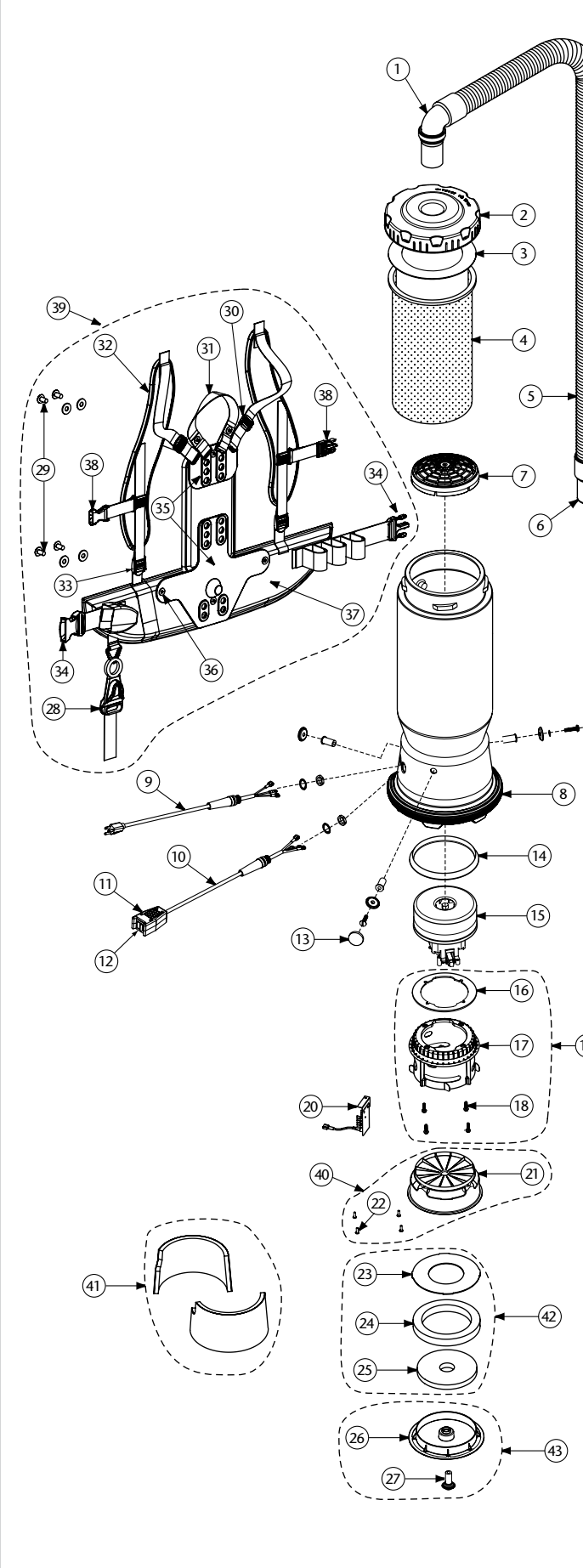
No.	Product Name	Qty	List Price
1	104273 Twist Cap (Black)	1 ea.	\$ 32.42
2	100431 Intercept Micro Filter	10/pk	15.60
3	100564 Micro Cloth Filter	1 ea.	27.45
4	510738 Cord Holder	1 ea.	2.98
5	101737 Carry Handle w/Rivet and Washer Set	1 set	9.60
6	100356 Shoulder Strap Assembly (includes: 6a, 6b, 6c)	1 set	19.16
	100354 Strap Assembly Complete (includes: 6, 11)	1 set	58.96
6a	100358 Shoulder Strap Plastic Adjustment (Top)	1 ea.	1.11
6b	100357 Shoulder Strap Plastic Adjustment (Bottom)	1 ea.	1.11
6c	103627 Sternum Strap Buckles (Latch and Keeper)	1 set	2.36
7	105046 Backplate (includes: 8)	1 ea.	29.48
8	100375 Barrel Nut Connection Set for Backplate	1 set	6.63
9	100716 Backplate (Black) Connection Set: 4 Screws w/Washers	1 set	14.73
10	106719 Waist Belt Keeper and Latch	1 ea.	13.36
11	100359 Waist Belt (includes: 10)	1 set	44.20
12	103166 Backplate System Complete (includes: 4-11)	1 set	73.69
13	100641 Power Cord Assembly	1 set	21.38
14	101610 Switch Cord Assembly Complete (includes: 15, 16)	1 set	41.27
15	101472 Switch Box w/Velcro and New Lamb Switch	1 set	26.52
	106287 Switch Box w/Velcro and Screws	1 ea.	19.79
16	106066 On/Off Switch (Must be Used with #106287)	1 ea.	8.02
17	105800 Sound Muffler	1 ea.	32.55
18	105044 Motor Shroud/Diffuser w/Screw Set: 2 Screws	1 set	25.26
19	100335 Motor Compression Ring w/Screws	1 set	14.16
	100378 Compression Ring Screw Set: 4 Screws	1 set	3.31
20	100014 Motor Gasket	1 ea.	13.27
21	100173 Carbon Brush Set for 400 Hz Motor	1 set	125.79
22	100171 Motor/Fan w/Rectifier and Crimps (400Hz)	1 set	224.12
	100174 Motor Rectifier	1 ea.	32.42
	100379 Motor Ground Connection and Wire Clamp Set w/Screws	1 set	6.63
	100380 Motor Crimp Set: 4 Female, 4 Male, Ground Crimp Connector	1 set	11.79
23	100586 Bottom Bumper	1 ea.	8.11
24	100368 Motor Mounting System Set: 3 Well Nuts, 3 Bolts, 3 Washers, 3 Covers	1 set	14.73
25	100030 Dome Filter w/Foam Media	1 ea.	8.85
26	100343 Foam Filter Media for Dome Filter	1 ea.	2.02
	101220 High Filtration Disk (Optional)	2/pk	11.90
27	103237 Static-Dissipating Hose 1/4" (Black)	1 ea.	29.42
	107648 48" Static-Dissipating Hose w/ Non-Replaceable Cuffs	1 ea.	30.78
28	100694 Swivel Cuff (Black) 1 1/2" (Only AV 1 1/2")	1 ea.	6.06
	103279 Swivel Cuff 1 1/4" (Black) (Only AV 1 1/4")	1 ea.	7.52
29	102715 Swivel Elbow Cuff 1/4" (Black) (Only AV 1/4")	1 ea.	13.48
	101928 Swivel Elbow Cuff 1/2" (Black) (Only AV 1/2")	1 ea.	10.18
30	107294 Thermal Protector	1 ea.	16.17
	101678 50' Extension Cord (Not Shown)	1 ea.	37.75

QUIETPRO CN HEPA PARTS

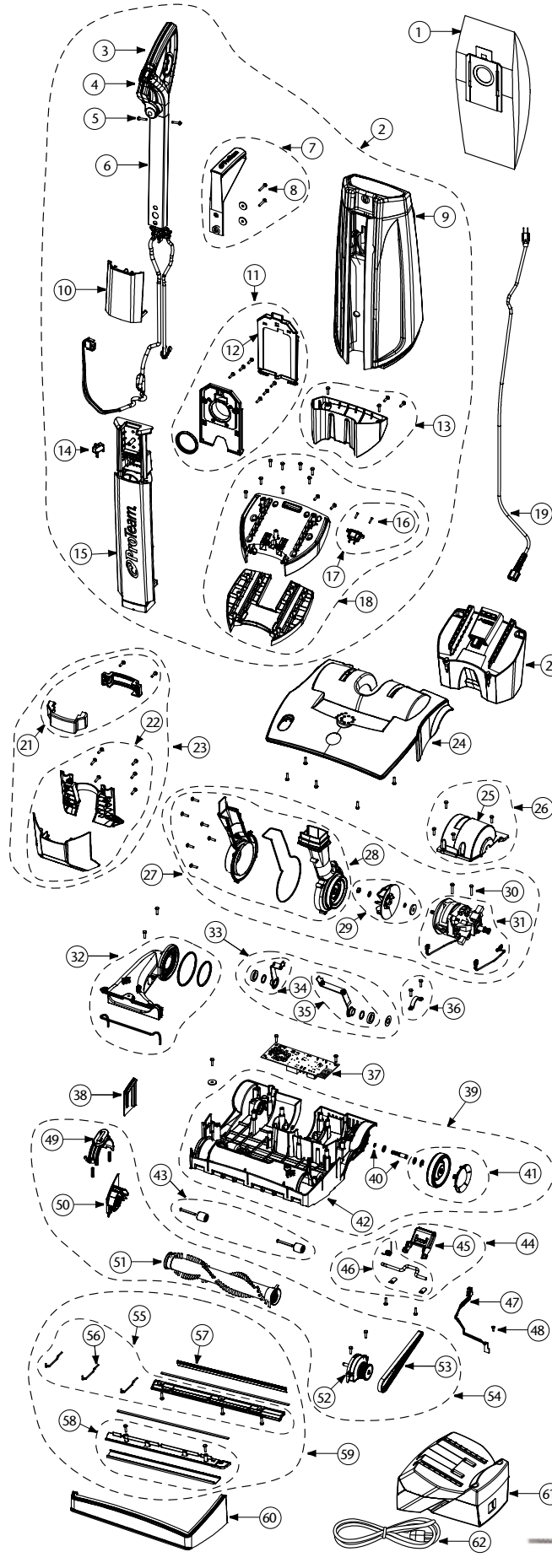


No.	Product Name	Qty	List Price
1	105991 On/Off Switch (2 Stage)	1 ea.	\$ 23.31
2	102784 Dome Filter w/Filter Media	1 ea.	8.85
3	101949 Replacement Foam Media for Dome Filter	1 ea.	1.69
	102761 High Filtration Disk (Optional)	2/pk	12.13
4	103236 Motor Seal	1 ea.	7.37
5	106919 Motor/Fan (120V) w/Crimps (Ametek Motor)	1 ea.	108.46
6	105697 Carbon Brush Set (Domel Motor)	1 set	23.57
	106904 Carbon Brush Set (Ametek Motor) (122157-00)	1 set	23.57
7	105430 Upper Foam Compression Ring	1 ea.	16.28
8	105949 Noise Suppression Filter Assembly	1 ea.	23.61
9	105948 Noise Suppression Foam	1 ea.	13.40
10	103121 Motor Mount	1 ea.	23.85
11	103266 Motor Mount and Vented Exhaust Cover Screw Kit	1 set	6.56
12	102127 Small Strain Relief	1 ea.	.33
13	105653 Dual Speed Module and Schematic with Thermal Protector	1 ea.	71.35
14	103318 Black Top Cap	1 ea.	38.31
15	104544 Intercept Micro Filter	10/pk	24.97
16	103115 Micro Cloth Filter	1 ea.	34.70
17	103125 Foam Inlet Damper B	1 ea.	14.61
18	103124 Foam Inlet Damper A	1 ea.	35.67
19	103256 Rear Foam Diffuser	1 ea.	16.85
20	103638 Replacement HEPA Media Filter Kit and Mounting Screw (includes: 29)	1 set	138.96
21	103117 Tool Dock	1 ea.	22.12
22	842193 Cord Lock	1 ea.	8.10
23	106203 Wire Harness Assembly: 3 Wires and Strain Relief	1 set	25.52
24	103545 Conical Washer for Swivel Caster	1 set	4.85
25	103114 Swivel Caster	1 ea.	13.27
26	106107 Ground Jumper	1 ea.	10.85
27	103268 Rear Wheel Mounting Screw Kit: 2 Screws	1 set	3.39
28	103267 Rear Wheel Assembly Kit: 2 Wheels, 2 Spacers, 2 Screws	1 set	21.08
29	103215 Power Cord Assembly w/Locknut and Washer	1 ea.	21.38
30	100694 Replacement Swivel Cuff (Black) 1 1/2"	1 ea.	6.06
31	103172 78" Static Dissipating Hose w/Cuffs (Black) 1 1/2"	1 set	38.31
32	103150 Replacement Long Swivel Cuff (Black) 1 1/2"	1 ea.	12.57
	101678 50' Extension Cord (Not Shown)	1 ea.	37.75

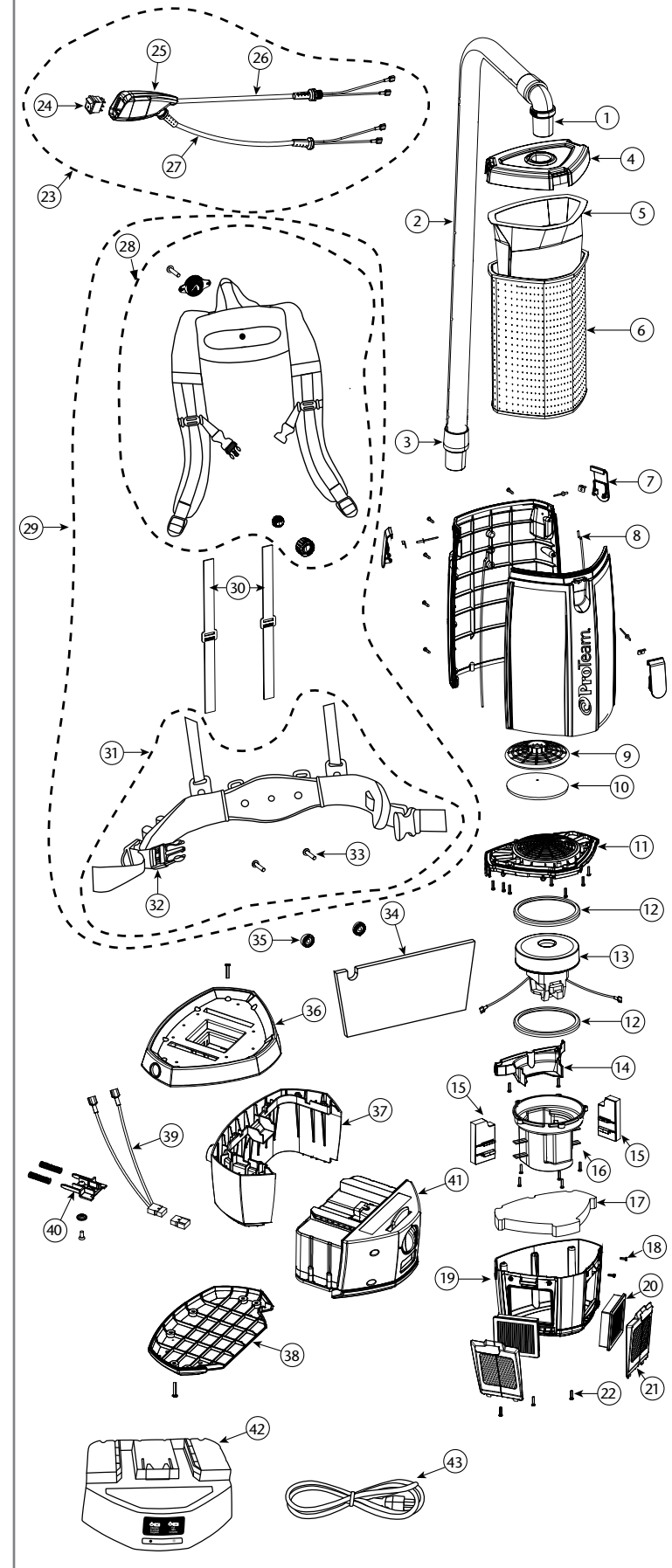
QUIETPRO BP PARTS



No.	Product Name	Qty	List Price
1	101928 Elbow Cuff, Swivel	1 ea.	\$ 10.18
2	104273 Twist Cap (Black)	1 ea.	32.42
3	100431 Intercept Micro Filter	10/pk	15.60
4	100564 Micro Cloth Filter	1 ea.	27.47
5	107648 48" Static-Dissipating Hose w/ Non-Replaceable Cuffs	1 ea.	30.78
6	100694 Replacement Swivel Cuff (Black) 1 1/2"	1 ea.	6.06
7	106526 Dome Filter made from HEPA Media	1 ea.	15.06
8	100586 Bottom Bumper	1 ea.	8.11
9	100641 Power Cord Assembly Complete w/Strain Relief	1 set	21.38
10	105748 Switch Cord Assembly Complete for QuietPro	1 set	41.47
11	106287 Switch Box w/Velcro and Screws	1 set	19.79
12	105973 On/Off Switch	1 ea.	21.85
13	100368 Motor Mounting System Set: 3 Well Nuts, 3 Bolts, 3 Washers, 3 Covers	1 set	14.73
14	100014 Motor Gasket	1 ea.	13.27
15	105722 2 Stage 120V Motor (includes: 16)	1 set	142.42
	105697 Carbon Brush Set (Domel)	1 set	23.57
	100424 Carbon Brush Set (Ametek)	1 set	23.57
16	105605 Motor Cap Gasket	1 ea.	7.02
17	105149 Motor Cap	1 ea.	19.79
18	100378 Self Tapping Screw, 10-32 x 3/4"	4/pk	3.31
19	105619 Motor Mount Assembly (includes: 16-18)	1 set	36.37
20	105653 Dual Speed Module and Schematic with Thermal Protector	1 ea.	71.35
21	105150 Exhaust Housing, Motor	1 ea.	15.31
22	104419 Hi/Lo Phillips Screw, #8 x 1/2"	1 ea.	.36
23	105337 Large Motor Housing Ring	1 ea.	15.63
24	105342 Motor Housing Foam Ring	1 ea.	19.13
25	105343 Motor Housing Foam Cover	1 ea.	13.40
26	105341 Motor Housing Cover	1 ea.	13.07
27	105613 Motor Mount	1 ea.	7.65
28	510738 Cord Holder	1 ea.	2.98
29	100716 Backplate (Blk) Connection Set: 4 Screws w/Washers	1 set	14.73
30	100358 Shoulder Strap Plastic Adjustment (Top)	1 ea.	1.11
31	101737 Carry Handle w/Rivet and Washer Set	1 set	9.60
32	100356 Shoulder Strap Assembly (includes: 30, 33, 38)	1 set	19.16
	100354 Strap Assembly Complete (includes: 32, 37)	1 set	58.96
33	100357 Shoulder Strap Plastic Adjustment (Bottom)	1 ea.	1.11
34	106719 Waist Belt Keeper and Latch	1 ea.	13.36
35	105046 Backplate (includes: 36)	1 set	29.48
36	100375 Barrel Nut Connection Set for Backplate (Replacement)	1 set	6.63
37	100359 Waist Belt (includes: 34)	1 ea.	44.20
38	103627 Sternum Strap Buckles (Latch and Keeper)	1 set	2.36
39	103166 Backplate System Complete (includes: 28-38)	1 set	73.69
40	105620 Exhaust Motor Housing Kit for QuietPro (includes: 21, 22)	1 set	36.37
41	105621 Acoustical Panels Foam Kit	1 set	57.30
42	105622 Exhaust Foam and Ring Kit (includes: 23-25)	1 set	40.83
43	105623 Exhaust Cover Kit for QuietPro (includes: 26, 27)	1 set	19.13
	101678 50' Extension Cord (Not Shown)	1 ea.	37.75

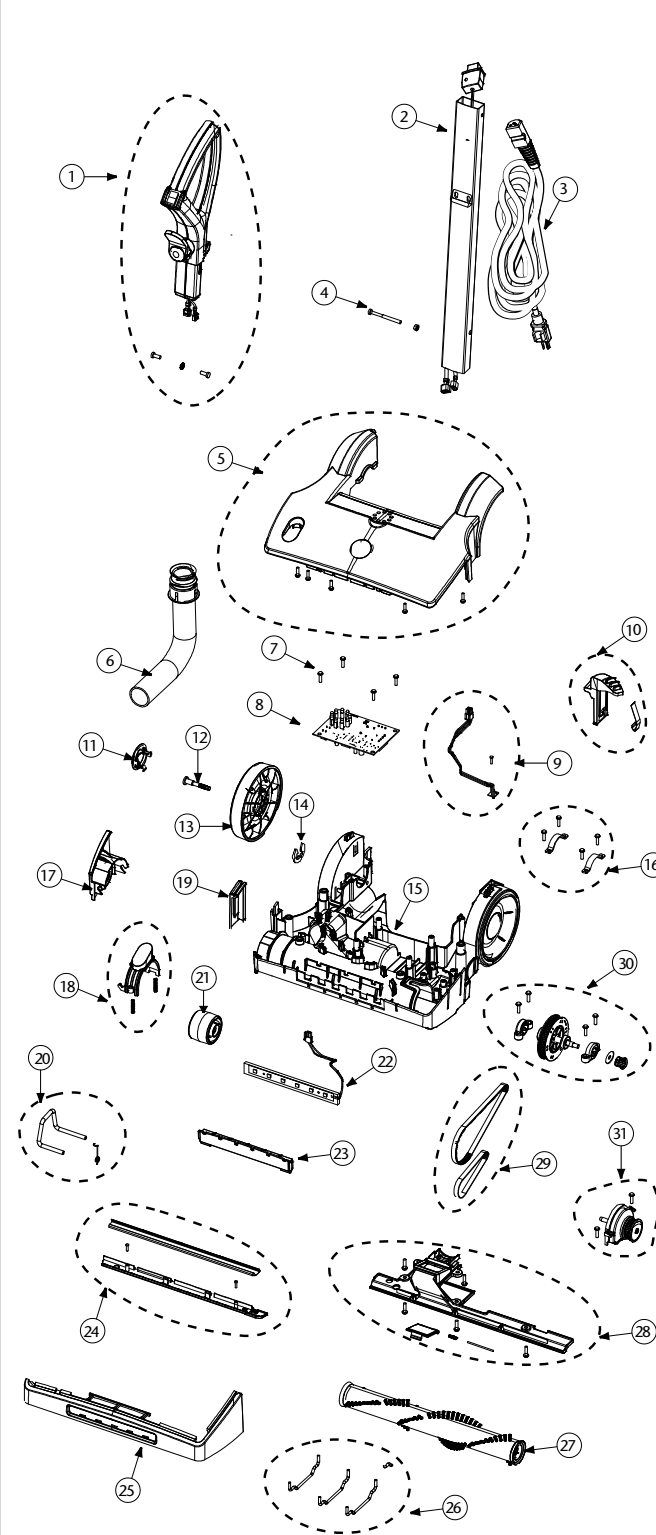


No.	Product Name	Qty	List Price
1	107502 Four-Layer Synthetic Filter, Fits FreeFlex	10/pk	\$ 27.04
2	510657 Upper Service Assembly (includes: 3-18)	1 set	242.81
3	841322 Handle Assembly	1 ea.	36.32
4	840495 On-Off-On Switch	1 ea.	2.64
5	835348 Screw, Machine M5	1 set	3.06
6	510425 Aluminum Tube Handle	1 ea.	9.19
7	510427 Carry Handle Assembly (includes: 8)	1 set	9.78
8	835345-1 Screw M4 Pan HD	1 set	2.87
9	840386 Foam Filter Bag Housing	1 ea.	99.69
10	840414 Aluminum Handle Mount Bracket	1 ea.	6.72
11	510433 Filter Mount Brackets Assembly (includes: 12)	1 set	12.76
12	840509 Filter Mount Pivot Bracket	1 set	5.88
13	510434 Bottom Filter Plate Assembly	1 set	8.82
14	510654 Bag Switch Detect	1 ea.	6.78
15	840499 Debris Tube	1 ea.	18.42
16	840506 Screw M3 CS Pan HD	1 set	6.13
17	510430 IEC Connector Plug Assembly (includes: 16)	1 set	11.75
18	510429 Battery Mount Plates Assembly (includes: 16, 17)	1 set	27.76
19	840377 Power Cord	1 ea.	27.11
20	107500 FreeFlex Cordless Upright Replacement Battery	1 ea.	899.00
21	510428 Debris Tube Brackets Assembly	1 set	8.54
22	510431 Debris Tube Clamp Assembly	1 set	11.78
23	510655 Debris Tube Brackets (includes: 21, 22)	1 set	17.27
24	510437 Base Cover Assembly	1 ea.	30.18
25	510661 Motor Cover	1 ea.	29.43
26	510420 Motor Cover Assembly (includes: 25)	1 set	8.45
27	510664 Blower Motor (includes: 38-31)	1 set	102.62
28	510435 Blower Housing Assembly	1 set	16.89
29	510416 Blower Wheel Assembly	1 set	10.02
30	835345-1 Screw M4 Pan HD	1 set	2.87
31	510415 Motor Assembly	1 set	75.00
32	510658 Inlet Nozzle	1 set	14.49
33	510656 Pivot Bracket (includes: 34, 35)	1 set	28.53
34	510418 Right Pivot Bracket Assembly	1 set	14.85
35	510417 Left Pivot Bracket Assembly	1 set	14.69
36	510421 Pivot Bracket Clamp Assembly	1 set	4.22
37	840490 Main Control Board	1 ea.	86.74
38	840070 Side Base Upright Bumper	1 ea.	8.21
39	510662 Base with Rear Wheels (includes: 40-42)	1 set	49.47
40	510414 Rear Wheel Shaft Assembly	1 set	2.91
41	841324 Rear Wheel Assembly	1 set	6.48
42	840369 Power Nozzle Base	1 ea.	35.00
43	834363 Wheel/Axle Replacement Kit	1 set	8.07
44	510659 Foot Pedal Assembly (includes: 45, 46)	1 set	9.03
45	840475 Foot Pedal	1 ea.	7.32
46	510422 Foot Pedal Shaft Assembly	1 set	6.36
47	843009 Control Board Hall Effect Sensor	1 ea.	20.29
48	835937 Screw M3 Pan HD	1 ea.	2.57
49	510424 Brush Release Button Assembly	1 set	4.37
50	841325 Brush Removal Cover Assembly	1 ea.	8.35
51	840167 Brush Roller Assembly	1 ea.	16.39
52	841814 Clutch Assembly	1 ea.	15.72
53	841744 Belt 168XL037	1 ea.	9.58
54	510663 Drive Brush (includes: 49-53)	1 set	47.51
55	510423 Rear Base Plate Assembly (includes: 56)	1 set	5.08
56	840194 Base Wire Brace	1 set	4.38
57	840191 Squeegee Blade	1 ea.	2.49
58	841323 Front Plate Assembly	1 set	11.42
59	510660 Front Rear Plates (includes: 55-58)	1 set	19.63
60	840069 Front Base Upright Bumper	1 ea.	11.79
61	107501 FreeFlex Cordless Upright Replacement Charger	1 ea.	306.34
62	834678 Charger Cord	1 ea.	29.05
63	843108 Clog Removal Tool	1 ea.	10.59
	510432 Screw /Washer Assortment (22 piece set)	1 set	5.69
	510436 Gasket Assortment (5 piece set)	1 set	5.27



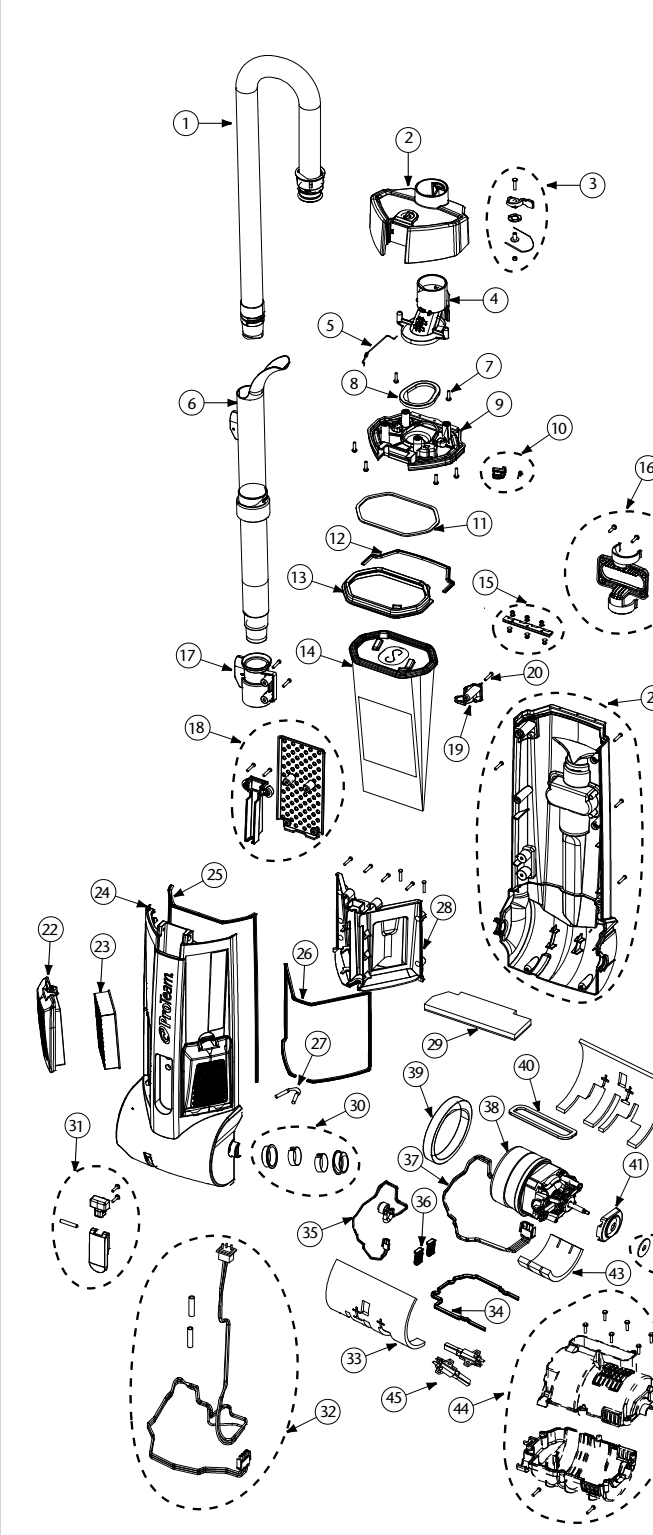
No.	Product Name	Qty	List Price
1	101928 Replacement Double Swivel Elbow Cuff 1 1/2"	1 ea.	\$ 10.18
	102715 Replacement Double Swivel Elbow Cuff 1 1/4"	1 ea.	13.48
2	107648 48" Static-Dissipating Hose w/ Non-Replaceable Cuffs	1 ea.	30.78
	103237 56" Static-Dissipating Hose w/Cuffs (Black) 1 1/4"	1 ea.	29.42
3	100694 Replacement Swivel Cuff (Black) 1 1/2"	1 ea.	6.06
	103279 Replacement Swivel Cuff (Black) 1 1/4"	1 ea.	7.52
4	833948 Top Cap (Purple)	1 ea.	38.31
5	107314 Intercept Micro Filter (Open Collar)	10/pk	15.60
	107374 Intercept Micro Filter (Closed Collar)	10/pk	21.76
6	834072 Micro Cloth Filter	1 ea.	27.47
7	510179 Latch and Retainer w/Lock Nut & Screw	1 set	8.19
8	510181 Gasket for Tank	2 ea.	3.80
9	510183 Dome Filter w/Foam Media (includes: 10)	1 set	8.85
10	510184 Foam Filter Media for Dome Filter	1 ea.	2.69
11	510193 Upper Motor Support w/Gasket	1 set	6.24
12	510741 Motor Gasket (GFFP II only)	1 ea.	8.49
	840899 Motor Gasket (old)	1 ea.	7.19
13	510740 Motor/Fan (36VDC) w/Gasket (GFFP II only)	1 ea.	187.73
	510411 Motor/Fan (36VDC) w/Gasket (old)	1 ea.	165.17
14	510185 Cover Wire w/2 screws	1 set	2.88
15	510742 Left/Right Baffles	1 set	6.10
16	510194 Lower Motor Support (5 screws)	1 set	14.73
17	834042 Triangular Lower Foam Pad	1 ea.	3.25
18	808380-0 Screw Pan CR #8 x 1/2"	1 ea.	.96
19	510216 Housing Assembly Lower w/Screws	1 set	17.53
20	107315 Exhaust Filter made from HEPA Media (2 pk)	1 set	12.97
21	841708 Exhaust Filter Door w/ Latch	1 ea.	7.85
22	808380-22 Screw Pan CR #8 x 3/4"	1 ea.	1.18
23	843473 Switch Cord and Power Cord Assembly (includes: 24-27) (GFFP II only)	1 set	30.18
	834249 Switch Cord and Power Cord Assembly (includes: 24-27) (old)	1 set	62.65
24	105147 On/Off Switch	1 ea.	15.61
25	107043 Switch Box	1 set	19.79
26	843475 Switch Cord Assembly (GFFP II only)	1 set	7.52
	842021 Switch Cord Assembly (old)	1 set	9.11
27	841726 Battery Cord Assembly	1 set	10.45
28	840112 Upper Harness Assembly	1 set	79.30
29	840011 FlexFit Harness Assembly (includes: 28-37)	1 set	170.29
30	510192 Tensioning Straps	1 set	11.22
31	840114 Lower Harness Assembly (includes: 36, 37)	1 set	79.76
32	510301 Waist Belt Buckles and Straps Set	1 set	12.92
33	834051 5/16" - 18x1 - 3/8" Lock Screw (2 screws)	1 set	5.45
34	834043 Rectangular Upper Foam Pad	1 ea.	2.98
35	510186 Harness Spacers	2 ea.	3.46
36	510218 Upper Battery Housing	1 ea.	18.37
37	510217 Lower Battery Housing	1 ea.	18.05
38	510219 Battery Support	1 ea.	20.56
39	510220 Lead Assembly w/Screw	1 ea.	10.73
40	510221 Actuator w/Washer, Screw, Springs	1 set	9.26
41	107513 12 Ah Battery	1 ea.	999.00
	107637 6 Ah Battery	1 ea.	619.00
42	107516 Battery Charger and Charger Cord (includes: 47)	1 set	223.60
43	834678 Charger Cord	1 ea.	29.05

PROGEN 12/15 PARTS



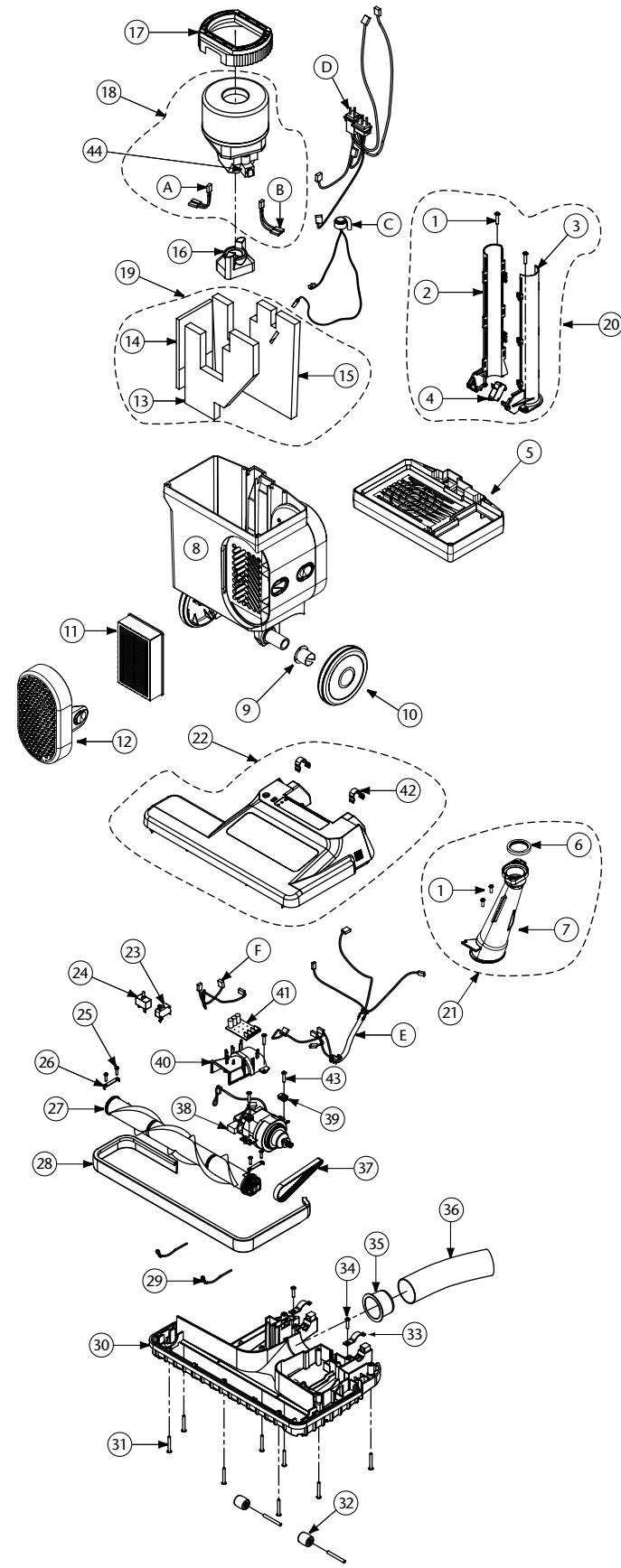
No.	Product Name	Qty	List Price
1	842344 Handle Assembly	1 set	\$19.96
2	842345 Handle Tube Assembly	1 ea.	22.27
3	834740-1 15" Power Cord w/Strain Relief 50'	1 ea.	48.05
	834740 12" Power Cord w/Strain Relief 40'	1 ea.	39.33
4	835701 Handle Screw Nut Assembly	1 ea.	1.39
5	835686 15" Base Cover Assembly	1 set	25.39
	835707 12" Base Cover Assembly	1 set	24.05
6	510252 Hose Power Head Assembly	1 ea.	4.27
7	835345 Washer Pan Screw M4	1 ea.	2.25
8	834797 Main Control Board	1 ea.	73.03
9	835683 Control Board Hall Effect Assembly	1 set	6.78
10	835676 15" Foot Pedal Assembly	1 set	3.01
	835702 12" Foot Pedal Assembly	1 set	2.79
11	834788 Cap Button	1 ea.	1.84
12	834789 15" Rear Wheel Shaft	1 ea.	2.29
13	834787 15" Rear Wheel	1 ea.	11.01
	836630 12" Rear Wheel	1 ea.	6.18
14	834790 Retaining Ring	1 ea.	1.21
15	834804 15" Power Nozzle Base (includes: 10)	1 ea.	40.58
	836627 12" Base Assembly (includes: 10)	1 ea.	30.97
16	835684 Filter Housing Clamp Assembly	1 set	1.93
17	835350 15" Brush Removal Cover Assembly	1 ea.	4.18
	835352 12" Brush Removal Cover Assembly	1 ea.	4.09
18	835682 15" Brush Release Button Assembly	1 set	2.29
	835705 12" Brush Release Button Assembly	1 set	2.20
19	834810 15" Side Base Bumper	1 ea.	2.25
	835036 12" Side Base Bumper	1 ea.	2.34
20	835675 Center Wheel Pivot Rod Assembly	1 set	2.43
21	834791 Center Wheel	1 ea.	3.15
22	835349 LED Strip Light Harness Assembly	1 ea.	11.69
23	834816 LED Strip Light Lens	1 ea.	2.02
24	835680 15" Front Base Plate Assembly	1 set	6.25
	835703 12" Front Base Plate Assembly	1 set	5.62
25	834809 15" Front Base Bumper	1 ea.	6.92
	835035 12" Front Base Bumper	1 ea.	5.39
26	835679 Base Wire Brace	1 set	2.70
27	841818 15" Brush Roller	1 ea.	15.28
	841817 12" Brush Roller	1 ea.	14.61
28	835681 15" Rear Base Plate Assembly	1 set	3.55
	835704 12" Rear Base Plate Assembly	1 set	3.33
29	835678 Timing Belt Assembly	1 set	20.00
30	835685 15" Pulley Assembly	1 set	12.36
	835706 12" Pulley Assembly	1 set	10.11
31	835677 Brush Roller Clutch Assembly	1 set	30.38

PROGEN 12/15 PARTS



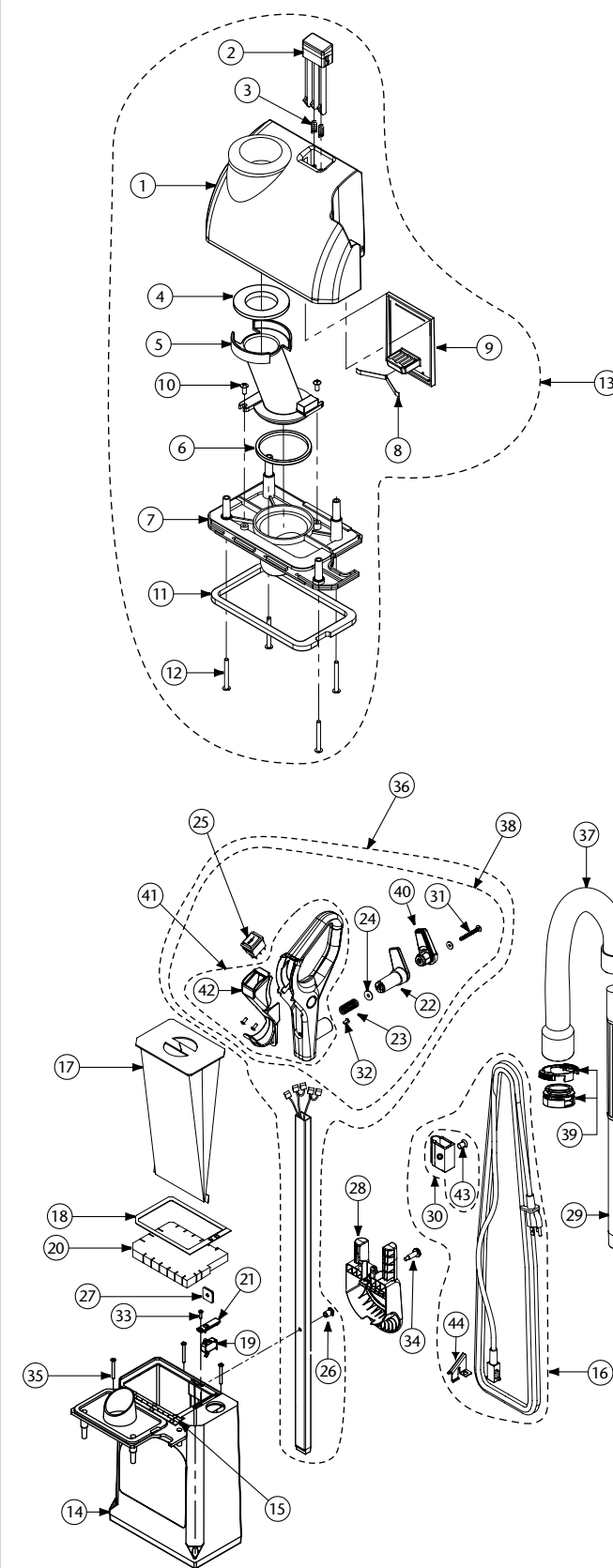
No.	Product Name	Qty	List Price
1	510259 Hose Assembly	1 ea.	\$14.61
2	835354 Filter Cover Assembly	1 ea.	5.84
3	835696 Filter Lid Cam Lock Assembly	1 set	7.60
4	834688 Upright Transition Duct Assembly	1 ea.	3.82
5	834753 Filter Housing Spring Hose	1 ea.	1.44
6	510258 Extension Tube Assembly	1 ea.	6.52
7	835345 Washer Pan Screw M4	1 ea.	2.25
8	834691 Transition Duct Gasket	1 ea.	1.80
9	834687 Bag Cover Housing Plate	1 ea.	4.63
10	835697 Bag Cover Housing Interlock Assembly	1 ea.	1.48
11	834690 Bag Cover Gasket Plate	1 ea.	2.11
12	834730-3 Lid Rear Tree Gasket	1 ea.	1.35
13	834823 Bag Housing Rim	1 ea.	2.20
14	107377 Intercept Micro Filter, 10 pack	10/pk	15.99
15	835698 Hinge with Rivet Assembly	1 ea.	5.48
16	835694 Carry Handle w/Tool Caddy Assembly	1 set	2.65
17	835351 Power Nozzle Adaptor Hose	1 ea.	3.33
18	835690 Filter Housing Harness Enclosure Assembly	1 set	3.10
19	834724 Extension Handle Clip	1 ea.	1.57
20	835358 Pan Screw M4 20mm	1 ea.	3.15
21	835693 Rear Bag Housing Assembly	1 set	19.10
22	834717 Exhaust Filter Cover	1 ea.	5.71
23	107005 Exhaust Filter made from HEPA Media	1 ea.	6.49
24	835687 15" Front Bag Housing	1 ea.	18.38
	835708 12" Front Bag Housing	1 ea.	18.38
25	834730 Bag Housing Tree Gasket	1 ea.	2.11
26	834730-1 Filter Housing Tree Gasket	1 ea.	1.71
27	835150 Filter Housing Gasket Separator	1 ea.	1.21
28	834718 Filter Housing Separator	1 ea.	7.51
29	834721 Motor Intake Filter	1 ea.	1.66
30	835695 Bag Housing Pivot Sleeve Assembly	1 set	2.61
31	835688 Lower Cord Wrap Bracket Assembly	1 set	2.56
32	835689 Filter Housing Harness Assembly	1 set	9.17
33	834722 Foam Filter Housing	1 ea.	2.92
34	834730-2 Motor Housing Tree Gasket	1 ea.	1.44
35	834723 Bag Full Indicator Sensor	1 ea.	8.99
36	840042 Motor Support Gasket	1 ea.	1.80
37	835344 Motor Harness	1 ea.	5.62
38	834705 Motor Assembly (Includes 45)	1 ea.	94.65
39	834696 Blower Gasket Housing	1 ea.	3.15
40	834697 Inlet Motor Gasket	1 ea.	1.80
41	834701 Motor Mount Gasket	1 ea.	2.56
42	835692 Motor Pulley Assembly	1 set	2.16
43	834704 Foam Motor Housing	1 ea.	1.53
44	835691 Motor Housing Assembly	1 set	20.00
45	835714 Motor Brush	1 ea.	15.91

PROFORCE 1500XP/1200XP PARTS



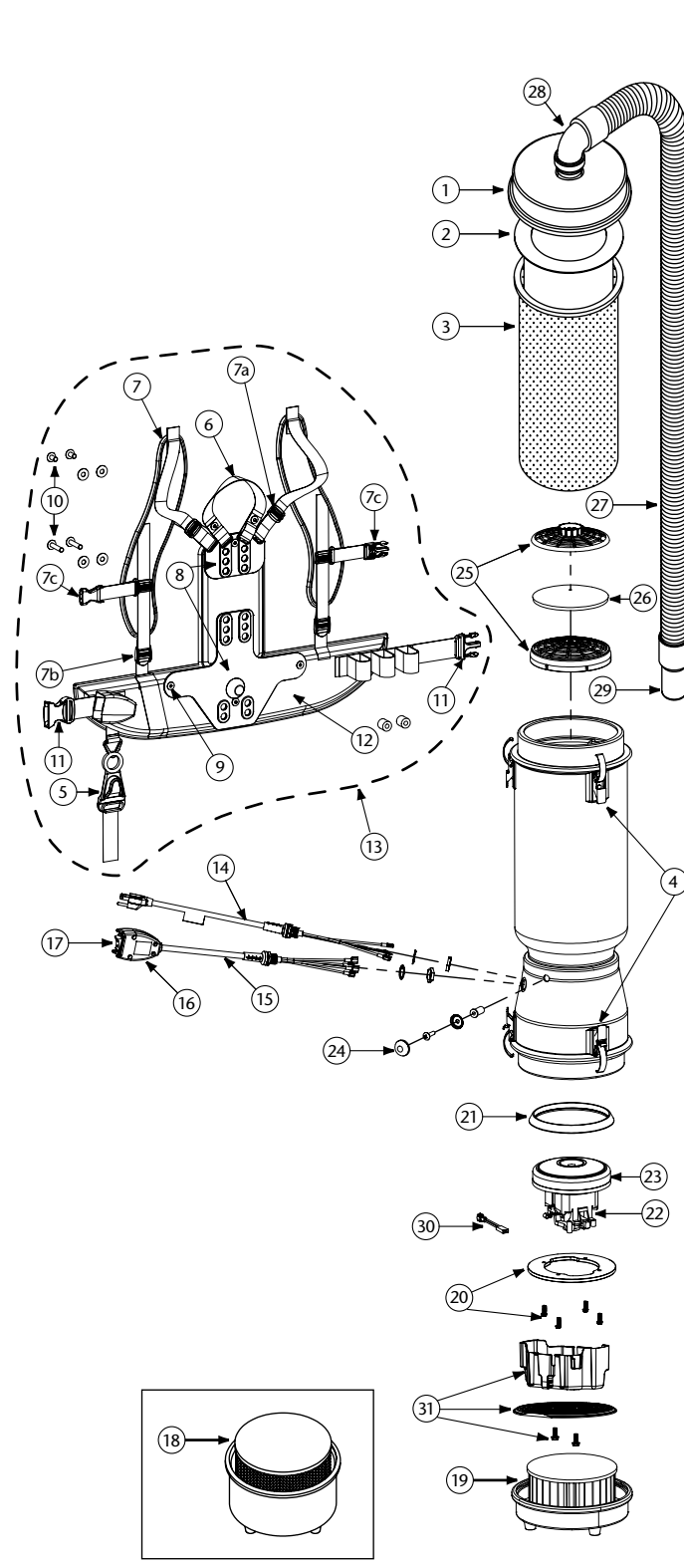
No.	Product Name	Qty	List Price
1	104267 Phillips Screw, 4mm x 12mm for Lower Air Duct	2/pk	\$ 7.58
2	104260 Upper Right Wand Guide	1 ea.	3.91
3	104261 Upper Left Wand Guide	1 ea.	3.91
4	104263 Wand Lockout Switch	1 ea.	11.57
5	107255 Bulkhead	1 ea.	17.26
6	104253 Lower Air Duct Seal	1 ea.	1.44
7	104250 Air Duct	1 ea.	12.17
8	107257 Motor Housing	1 ea.	40.64
9	104504 Pivot Bearing	2/pk	7.58
10	104306 Rear Wheel	2/pk	14.31
11	107005 Exhaust Filter made from HEPA Media	1 ea.	6.49
12	107258 Filter Cartridge Cover	1 ea.	5.87
13	103532 Left Panel Motor Housing Sound Foam	1 ea.	6.09
14	103533 Rear Panel Motor Housing Sound Foam	1 ea.	3.57
15	103531 Front Panel Motor Housing Sound Foam	1 ea.	8.58
16	104247 Lower Motor Mount	1 ea.	7.16
17	104249 Upper Motor Mount	1 ea.	12.17
18	104957 Motor Assembly w/Jumpers (includes: A, B)	1 kit	85.85
19	105488 Motor Housing Sound Filter (includes: 14,15,16)1 kit	17.17	
20	105490 Wand Kit (includes: 1, 2, 3, 4)	1 kit	14.38
21	105489 Air Duct Kit (includes: 6, 7, 8)	1 kit	12.89
22	107282 ProForce 1500XP Power Nozzle Cover with Detent Springs (includes: 43)	1 ea.	35.34
23	107283 ProForce 1200XP Power Nozzle Cover with Detent Springs (includes: 43)	1 ea.	35.34
24	104279 Power Nozzle Lockout Safety Switch	1 ea.	15.43
25	104212 Circuit Breaker (reset button)	1 ea.	21.91
26	104496 Phillips Screw, 3.5mm x 13mm, for Brush Retainer	4/pk	5.96
27	104499 Brush Roll Retainer	2/pk	2.87
28	104216 14" Power Nozzle Brush Roll for ProForce 1500XP	1 ea.	34.10
29	107163 12" Power Nozzle Brush Roll for ProForce 1200XP	1 ea.	34.10
30	104218 ProForce 1500XP Vinyl Power Nozzle Bumper	1 ea.	7.81
31	107166 ProForce 1200XP Vinyl Power Nozzle Bumper	1 ea.	7.81
32	104500 Formed Wire Brace for Power Nozzle Base	2/pk	2.87
33	104221 ProForce 1500XP Power Nozzle Baseplate	1 ea.	51.46
34	107167 ProForce 1200XP Power Nozzle Baseplate	1 ea.	51.46
35	104497 Phillips Screw, 4mm x 35mm for Base Cover	8/pk	6.76
36	834363 Wheel/Axle Replacement Kit	1 kit	8.07
37	104503 Rear Wheel Clamp	1 set	5.00
38	104495 Phillips Screw, 4mm x 19mm for Powerhead	5/pk	3.91
39	104227 Air Duct Hose Sleeve	1 ea.	2.87
40	104230 Power Nozzle to Air Duct Lower Hose	1 ea.	6.61
41	104217 Brush Roll Drive Belt	1 ea.	6.51
42	104506 Power Nozzle Motor with Crimps	1 ea.	84.65
43	104498 Power Nozzle Motor Vibration Grommet	2/pk	2.87
44	104224 Power Nozzle Air Duct Cover	1 ea.	5.38
45	104226 Vacuum Operation Indicator Board	1 ea.	10.40
46	104507 Detent Upright Lock Spring	2/pk	3.91
47	105371 Phillips Screw, 4.2mm x 19mm, for Power Nozzle Motor	2/pk	2.61
48	105281 Carbon Brush Set for ProForce Motor	1 set	23.57
49	105754 Wire Harness Kit includes:	1 set	37.08
A. Harness, Jumper, Red		B. Harness, Jumper, White	
C. Sensor, Bag Full Indicator		D. Harness, Main Power Supply	
E. Harness, Wire, Power Nozzle		F. Harness, Power Nozzle Switch	

PROFORCE 1500XP/1200XP PARTS



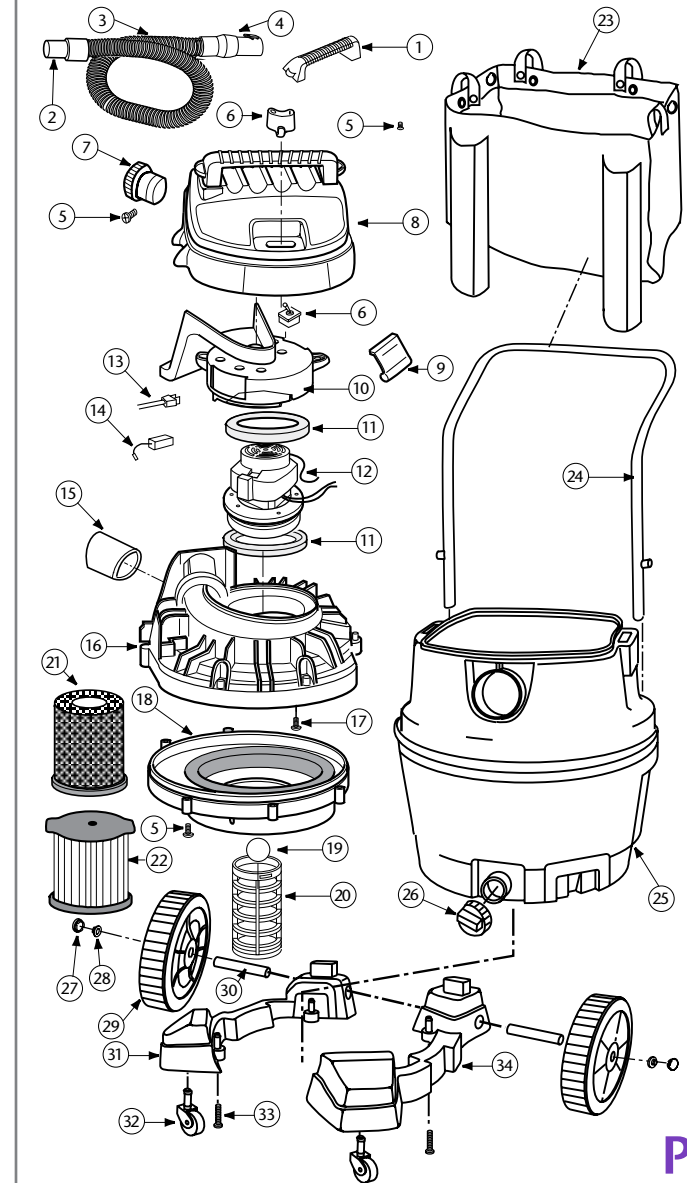
No.	Product Name	Qty	List Price
1	104234 Grey Bag Housing Cover	1 ea.	\$19.52
2	104232 Bag Cover Release Latch	1 ea.	5.20
3	104233 Release Latch Button Spring for Bag Cover	2/pk	2.61
4	104235 Upper Seal Transition Duct for Bag Cover	1 ea.	4.55
5	104236 Transition Duct Bag Cover	1 ea.	7.81
6	104238 Lower Seal Transition Duct Bag Cover Nozzle Plate	1 ea.	2.61
7	104239 Bag Cover Nozzle Plate	1 ea.	6.09
8	104242 Bag Cover Latch Spring	1 ea.	3.91
9	104243 Bag Cover Latch Plate	1 ea.	2.87
10	104505 Phillips Screw, 4mm x 9.5mm	2/pk	2.61
11	104241 Bag Cover Gasket	1 ea.	2.87
12	104493 Phillips Screw, 4.2mm x 35mm	4/pk	4.78
13	105486 Filter Cover Kit w/Riveted Hinge and 6 Rivets (includes: 1-12)	1 kit	51.51
14	107260 ProForce 1500XP Bag Housing Assembly, Grey with Riveted Hinge, Decal, Bag Cover Nozzle Plate	1 ea.	46.82
15	107285 ProForce 1200XP Bag Housing Assembly, Grey with Riveted Hinge, Decal, Bag Cover Nozzle Plate	1 ea.	46.82
16	104491 Rivet for Bag Housing Assembly	6/pk	3.91
17	104284 50' Yellow Power Cord with Strain Relief (includes: 30, 44)	1 ea.	46.07
18	103483 Intercept Micro Filter	10/pk	11.21
19	104738 Bag Housing Gasket Seal	1 ea.	2.87
20	104283 Lock-Out Filter Switch	1 ea.	12.17
21	104281 Double Layer Motor Intake Filter	1 ea.	3.40
22	104282 Lock-Out Filter Switch Cover	1 ea.	2.87
23	104268 Cord Wrap Bracket	1 ea.	5.20
24	104269 Cord Wrap Compression Bracket Spring	1 ea.	2.87
25	104270 Cord Wrap Bracket Compression Spring Washer	1 ea.	1.30
26	105147 On/Off Rocker Switch	1 ea.	15.61
27	104264 Handle Tube Bushing	1 ea.	1.44
28	104259 Handle Nut Plate	1 ea.	1.44
29	107256 Carry Handle with Tool Caddy	1 ea.	6.51
30	104294 Wand	1 ea.	17.17
31	105091 Strain Relief Kit with Fastener Clip (include: 43)	1 ea.	7.16
32	104271 Phillips Head Screw for Cord Wrap, M4 x 45mm	1 ea.	2.61
33	104509 Phillips Screw, 4mm x 16mm x .07 Pitch, for Handle Assembly	1 ea.	2.61
34	105075 Phillips Screw, 2.9mm x 13mm, for Switch Cover	1 ea.	4.65
35	104266 Handle Assembly Screw	1 ea.	1.60
36	104493 Phillips Screw, 4.2mm x 35mm	4/pk	4.78
37	106618 Tube Handle Assembly Complete (includes: 26, 38)	1 ea.	70.82
38	104961 Hose Assembly with Cuffs (includes: 39)	1 ea.	50.08
39	106617 Handle Kit (includes: 22-25, 31, 32, 40-42)	1 kit	46.82
40	105573 Quick Release Hose Cuff	1 ea.	19.40
41	107093 Impact Bumper	1 ea.	2.98
42	106619 Handle/Bezel Assembly (includes 42)	1 ea.	28.54
43	106739 Handle Bezel	1 ea.	9.30
44	105320 Fastener	1 ea.	5.58
45	107203 Cord Retention Clip	1 ea.	3.31

LINEVACER PARTS



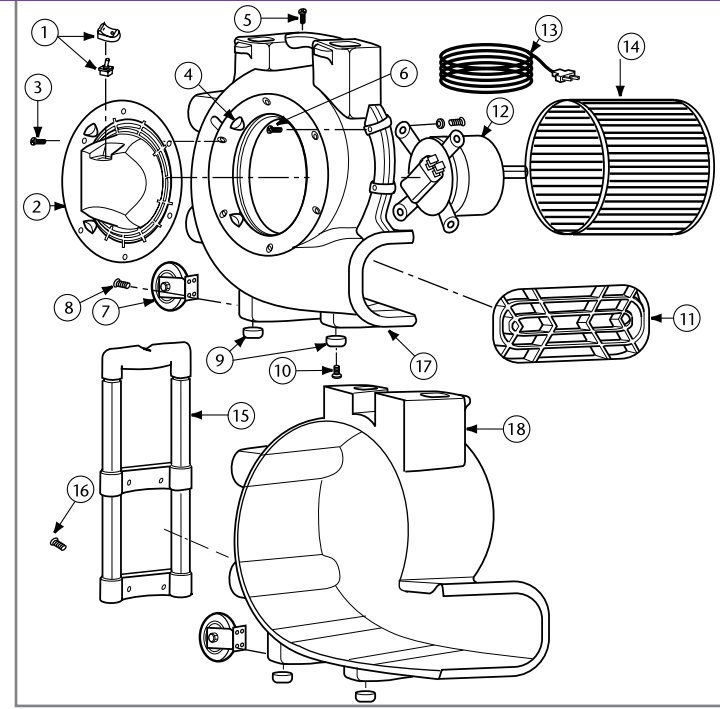
No.	Product Name	Qty	List Price
1	104276 Latch Cap w/Cuff (Black)	1 ea.	\$ 73.02
2	100291 Intercept Micro Filter	10/pk	31.10
3	100565 Micro Cloth Filter	1 ea.	33.26
4	100286 Top or Bottom Cap Latch Set: 3 Latches, 3 Locks w/6 Fastening Rivets, 6 Washers	1 set	43.54
5	510738 Cord Holder	1 ea.	2.98
6	101737 Carry Handle w/Rivet and Washer Set	1 set	9.60
7	100356 Shoulder Strap Assembly (includes: 7a, 7b, 7c)	1 set	19.16
	100354 Strap Assembly Complete (includes: 7, 12)	1 set	58.96
7a	100358 Shoulder Strap Plastic Adjustment (Top)	1 ea.	1.11
7b	100357 Shoulder Strap Plastic Adjustment (Bottom)	1 ea.	1.11
7c	103627 Sternum Strap Buckles (Latch and Keeper)	1 set	2.36
8	105046 Backplate (includes: 9)	1 ea.	29.48
9	100375 Barrel Nut Connection Set for Backplate (Replacement)	1 set	6.63
10	100374 Backplate Connection Set: 4 Screws w/Washers, Stand Offs	1 set	14.73
11	106719 Waist Belt Keeper and Latch	1 ea.	13.36
12	100359 Waist Belt (includes: 11)	1 ea.	44.20
13	103166 Backplate System Complete (includes: 5-12)	1 set	73.69
14	100641 Power Cord Assembly Complete	1 set	21.38
15	101610 Switch Cord Assembly 120V (includes: 16, 17)	1 set	41.27
	101714 Switch Cord w/Crimps	1 ea.	18.29
16	101472 Switch Box w/Velcro and New Lamb Switch	1 set	26.52
	106287 Switch Box w/Velcro and Screws	1 ea.	19.79
17	106066 On/Off Switch (must use with #106287)	1 ea.	8.02
18	104275 ULPA Filter Assembly Complete w/Bottom Cap (100280, 100282)	1 set	376.41
19	104274PT HEPA Filter Assembly Complete w/Bottom Cap (100277, 100279)	1 set	272.63
20	100335 Motor Compression Ring w/Screws	1 set	14.16
	100378 Compression Ring Screw Set: 4 Screws	1 set	3.31
21	100014 Motor Gasket	1 ea.	13.27
	100297 Gasket Ring (Not Shown)	1 ea.	5.79
22	105697 Carbon Brush Set (Domel Motor)	1 set	23.57
	100424 Carbon Brush Set (Ametek Motor) (116311-00)	1 set	23.57
	106904 Carbon Brush Set (Ametek Motor) (122157-00)	1 set	23.57
23	100422 Motor/Fan (120 V) w/Crimps (Ametek Motor)	1 ea.	102.19
	100380 Motor Crimp Set: 4 female, 4 Male and a Ground Crimp Connector	1 set	11.79
	100379 Motor Ground, Wire Clamp Set w/Screws	1 set	6.63
24	100368 Motor Mounting System Set: 3 Well Nuts, 3 Bolts, 3 Washers, 3 Covers	1 set	14.73
25	100030 Dome Filter w/Foam Media	1 ea.	8.85
26	100343 Foam Filter Media for Dome Filter	1 ea.	2.02
27	107648 48" Static-Dissipating Hose w/ Non-Replaceable Cuffs	1 ea.	30.78
28	101928 Replacement Double Swivel Elbow Cuff (Black)	1 ea.	10.18
29	100694 Replacement Swivel Cuff (Black) 1 1/2"	1 ea.	6.06
30	107294 Thermal Protector	1 ea.	16.17
31	105044 Motor Shroud/Diffuser w/Screw Set: 2 Screws	1 set	25.26
	101678 50' Extension Cord (Not Shown)	1 ea.	37.75

PROGUARD 16 MD PARTS



No.	Product Name	Qty	List Price
1	830565-2 Handle Motor Cover	1 ea.	\$ 2.60
2	831577 Swivel Hose Cuff	1 ea.	4.10
3	831337-6 Hose Assembly w/Cuffs	1 ea.	45.83
4	829900 Locking Ring Cuff	1 ea.	1.72
5	820563-4 Screw Type AB #10 x 3/4"	1 ea.	.11
6	510127 Switch Assembly	1 ea.	7.13
7	833600 Diffuser Assembly	1 ea.	6.12
8	510286 Motor Cover Assembly	1 ea.	39.78
9	826387 Drum Latch	1 ea.	7.75
10	831651 Duct Motor Exhaust/Cooling Fan	1 ea.	6.79
11	827415 Gasket Motor	1 ea.	11.24
12	831567 Motor Assembly Complete	1 ea.	93.49
13	831657-1 Power Cord Assembly	1 ea.	65.26
14	822374-8 Carbon Brush Set	1 set	14.16
15	830609 Exhaust Foam Pad	1 ea.	2.25
16	831653-1 Lid	1 ea.	20.96
17	826453-2 Screw 10-32 x 3/4"	1 ea.	.96
18	831659 Collector Assembly	1 ea.	10.33
19	833778 Ball Float	1 ea.	3.15
20	830101-1 Filter Cage	1 ea.	3.07
21	107177 Quick Lock Wet Filter	1 ea.	28.26
22	107175 Qwik Lock Fine Dust Cartridge Filter	1 ea.	28.26
23	831668-1 Tote	1 ea.	17.64
24	830686 Handle	1 ea.	21.91
25	831660-2 Dust Drum Assembly	1 ea.	49.72
26	73185 Drain Cap	1 ea.	8.15
27	830611 Wheel Cap	1 ea.	1.48
28	813836-1 Cap Nut 1/2"	1 ea.	1.18
29	832190 8" Wheel Assembly (Includes: 27, 28)	1 ea.	15.28
30	831024 Shaft	1 ea.	10.84
31	830577 Left Caddy	1 ea.	15.96
32	832123 Caster	1 ea.	14.05
33	820563-5 Screw Type "AB" #10 x 1-3/4"	1 ea.	1.17
34	830576 Right Caddy	1 ea.	13.65
	509944 Bag of Loose Parts (Not Shown) (includes: 27, 28, 32, 33)	1 kit	22.36

PROBLITZ AIRMOVER PARTS



No.	Product Name	Qty	List Price
1	510141 Switch & Knob Assembly	1 ea.	\$ 9.94
2	833658 Inlet Grill	1 ea.	7.42
	510551 Inlet Grill with Outlets (ProBlitz XP)	1 ea.	14.84
3	820563-7 Screw, Type AB #10 x 3/4"	1 ea.	.06
4	833673 Threaded Inserts - Housing	1 ea.	7.92
5	820563-7 Screw, Type AB #10 x 3/4"	1 ea.	.06
6	820563-13 Screw, Type AB #10 x 1"	1 ea.	.06
7	510140 Wheel Assembly (ProBlitz XP)	1 ea.	12.13
8	820563-7 Screw, Type AB #10 x 3/4" (ProBlitz XP)	1 ea.	.06
9	833690 Foot Bumper (Only four (4) required for ProBlitz XP)	1 ea.	8.93
10	820563-7 Screw, Type AB #10 x 3/4" (Only four (4) required for ProBlitz XP)	1 ea.	.06
11	833659 Exhaust Grill	1 ea.	6.24
12	833674 Motor	1 ea.	126.29
13	833675 30' Cord w/Plug	1 ea.	29.55
	841368 25' Cord w/Plug (ProBlitz XP)	1 ea.	46.07
14	833660 Blower Wheel	1 ea.	34.38
15	833691 Retractable Handle (ProBlitz XP)	1 ea.	33.31
16	820563-7 Screw, Type AB #10 x 3/4" (ProBlitz XP)	1 ea.	.06
17	833657-1 Housing (left side)	1 ea.	24.78
18	833656-1 Housing (right side)	1 ea.	35.25

PROGUARD LI 3 CORDLESS PARTS

No.	Product Name	Qty	List Price
1	510121 Power Head	1 ea.	\$112.44
2	510127 Switch/Cover	1 ea.	7.13
3	833367 Drum Latches	2/pk	4.21
4	510122 Battery Cover/Hinge	1 ea.	13.98
5	832048 Filter Cage/Float	1 ea.	2.07
6	107178 Qwik Lock Fine Dust Cartridge Filter	1 ea.	21.18
7	73316 Filter Nut	1 ea.	1.63
8	833371 Drum with Labels	1 ea.	55.79
9	107197 Hose Assembly	1 ea.	32.03
10	107496 Battery	1 ea.	140.39
11	107656 Battery Charger	1 ea.	79.50
12	830098 Diffuser (Not Shown)	1 ea.	5.61

PROGUARD 4 PORTABLE PARTS

No.	Product Name	Qty	List Price
1	510224 Switch and Switch Cover	1 ea.	\$ 4.26
2	510225 Motor Cover and Top Handle	1 ea.	33.80
3	829719-4 Cord Assembly	1 ea.	11.62
4	830519 Exhaust Duct	1 ea.	10.67
5	509776-19 Motor Assembly	1 ea.	67.30
6	830520-2 Lid	1 ea.	39.55
7	826387 Tank Latch	1 ea.	7.75
8	510124 Blower Wheel, Washer, Spacer, Nut	1 ea.	5.34
9	832656-1 Plate Collector	1 ea.	9.94
10	820563-4 Screw, Type AB #10 x 3/4"	1 ea.	.11
11	510108 Filter Cage and Float Assembly	1 ea.	6.40
12	107178 Qwik Lock Fine Dust Cartridge Filter	1 ea.	21.18
13	510106 Tank (with Inlet)	1 ea.	16.18
14	510109 Casters	4/pk	6.49
15	831337-6 Premium Hose Assembly	1 ea.	45.83
16	830098 Diffuser	1 ea.	5.61
17	107182 Intercept Micro Filter Bag (optional)	3/pk	18.00

PROGUARD 10 PARTS

No.	Product Name	Qty	List Price
1	510094 Motor Cover Assembly	1 ea.	\$ 37.58
2	830565-2 Handle Motor Cover	1 ea.	2.60
3	820563-4 Screw Type AB #10 x 3/4"	1 ea.	.11
4	833600 Diffuser Assembly	1 ea.	6.12
5	510127 Switch Assembly	1 ea.	7.13
6	831651 Duct Motor Exhaust/Cooling Fan	1 ea.	6.79
7	830609 Exhaust Foam Pad	1 ea.	2.25
8	831653-3 Lid with Foam	1 ea.	12.51
9	826453-2 Screw 10-32 x 3/4"	1 ea.	.96
10	833417 Power Cord Assembly	1 ea.	24.43
11	822374-8 Carbon Brush Set	1 set	14.16
12	831567 Motor Assembly Complete	1 ea.	93.49
13	833518 Gasket Lid	1 ea.	12.08
14	827415 Gasket Motor	1 ea.	11.24
15	831659 Collector Assembly	1 ea.	10.33
16	833778 Ball Float	1 ea.	3.15
17	830101-1 Filter Cage	1 ea.	3.07
18	107177 Wet Filter	1 ea.	28.26
19	833601 Tank, 10 Gallon	1 ea.	216.97
20	833424-1 Drum Latch	1 ea.	7.13
21	833492-1 Screw 10-32 x 3/4"	1 ea.	1.12
22	833493 Washer (13/64 ID) #10	1 ea.	1.11
23	161255-8 Nut Lock #10	1 ea.	1.07
24	833425 Tank Inlet Adapter	1 ea.	3.26
25	833426 Gasket Inlet Adapter	1 ea.	1.97
26	833492 Screw 1-32 x 1 1/4"	1 ea.	1.57
27	833493 Washer (13/64 ID) #10	1 ea.	1.11
28	73185 Drain Cap	1 ea.	8.15
29	833429 Drain Adapter with Gasket	1 ea.	8.31
30	833492-2 Screw 1-32 x 1 3/8"	1 ea.	1.29
31	833493 Washer (13/64 ID) #10	1 ea.	1.11
32	833431 Caster 3"	1 ea.	10.20
33	833432 50' Extension Cord	1 ea.	73.15
34	107181 Intercept Micro Filter	3/pk	24.33
35	107175 Qwik Lock Fine Dust Filter	1 ea.	28.26
36	831577 Swivel Hose Cuff	1 ea.	4.10
37	107198 Hose Assembly	1 ea.	47.01
38	833587 Locking Ring Cuff	1 ea.	9.44

Part No.	Product Name	Page No(s).
835351	Power Nozzle Adaptor Hose	47
835352	Brush Removal Cover 12" Assembly	46
835354	Filter Cover Assembly	47
835358	Pan Screw M4 20mm	47
835675	Center Wheel Pivot Rod Assembly	46
835676	Foot Pedal 15" Assembly	46
835677	Brush Roller Clutch Assembly	46
835678	Timing Belt Assembly	46
835679	Base Wire Brace	46
835680	Front Base Plate 15" Assembly	46
835681	Rear Base Plate 15" Assembly	46
835682	Brush Release Button 15" Assembly	46
835683	Control Board Hall Effect Assembly	46
835684	Filter Housing Clamp Assembly	46
835685	15" Pulley Assembly	46
835686	Base Cover 15" Assembly	46
835687	Front Bag Housing 15"	47
835688	Lower Cord Wrap Bracket Assembly	47
835689	Filter Housing Harness Assembly	47
835690	Filter Housing Harness Enclosure Assembly	47
835691	Motor Housing Assembly	47
835692	Motor Pulley Assembly	47
835693	Rear Bag Housing Assembly	47
835694	Carry Handle w/Tool Caddy Assembly	47
835695	Bag Housing Pivot Sleeve Assembly	47
835696	Filter Lid Cam Lock Assembly	47
835697	Bag Cover Housing Interlock Assembly	47
835698	Hinge with Rivet Assembly	47
835701	Handle Screw Nut Assembly	46
835702	Foot Pedal 12" Assembly	46
835703	Front Base Plate 12" Assembly	46
835704	Rear Base Plate 12" Assembly	46
835705	Brush Release Button 12" Assembly	46
835706	12" Pulley Assembly	46
835707	Base Cover 12" Assembly	46
835708	Front Bag Housing 12"	47
835714	Motor Brush	47
835937	Screw M3 Pan HD	44
836099	Motor/Fan (120V) (Wolong)	35
836225-1	Switch Cord and Power Cord Assembly	35
836357	Turbo Brush	28
836480	Power Cord Assembly	35
836554	Switch Box	35
836554-1	Switch Box	35
836627	ProGen 12 Service Base Assembly	46

Part No.	Product Name	Page No(s).
836630	Wheel 12"	46
840042	Motor Support Gasket	47
840011	Harness Assembly Complete	35, 45
840069	Front Base Upright Bumper	44
840070	Side Base Upright Bumper	44
840112	Upper Harness Assembly	35, 45
840114	Lower Harness Assembly	35, 45
840167	Brush Roller Assembly	44
840191	Squeeze Blade	44
840194	Base Wire Brace	44
840369	Power Nozzle Base	44
840377	Power Cord	44
840386	Foam Filter Bag Housing	44
840414	Aluminum Handle Mount Bracket	44
840475	Foot Pedal	44
840490	Main Control Board	44
840495	On-Off-On Switch	44
840499	Debris Tube	44
840506	Screw M3 CS Pan HD	44
840509	Filter Mount Pivot Bracket	44
840899	Motor Gasket (old)	45
841322	Handle Assembly	44
841323	Front Plate Assembly	44
841324	Rear Wheel Assembly	44
841325	Brush Removal Cover Assembly	44
841368	25' Cord w/Plug	51
841708	Exhaust Filter Door w/Latch	35, 45
841722-2	Switch and Power Cord Assembly	39
841724	Power Plug Assembly	35
841726	Battery Cord Assembly	45
841744	Belt 168XL037	44
841814	Clutch Assembly	44
841817	Brush Roller 12"	46
841818	Brush Roller 15"	46
841933	Carbon Brush Set (Wolong)	35
842021	Switch Cord Assembly (old)	45
842193	Cord Lock (ProVac CN, RunningVac, QuietPro CN)	33, 40, 42
842300	Wand Adapter	26, 34
842344	Handle Assembly	46
842345	Handle Tube Assembly	46
843009	Control Board Hall Effect Sensor	44
843108	Clog Removal Tool	17, 44
843473	Switch Cord and Power Cord Assembly (GFFP II)	45
843475	Switch Cord Assembly (GFFP II)	45

LIMITED WARRANTY

This limited warranty applies to all ProTeam®. Inc. products, including, without limitation, Backpacks, Canisters, Hipstyles, Uprights, Air Movers, and Wet/Dry product lines, and certain batteries and chargers (collectively, the **"products"**). Specific warranty terms for certain product parts, motors, batteries and accessories are stated below.

If you have any questions or need assistance regarding the warranty of your product, please call ProTeam Customer Service department at (866) 888-2168 between the hours of 8:00 a.m. - 5:00 p.m. Central Time or at any time via email or fax. Customer service hours may vary and will be updated on the ProTeam website at proteam.emerson.com.

Limited Warranty

ProTeam, Inc., located at 8100 W. Florissant Ave, Building T, St. Louis, MO 63136 (**"ProTeam"** or **"we"**) warrants to the original purchaser only (**"you"** or **"your"**), subject to **"Warranty Exclusions"** (as applicable), that the product parts, motor, battery and/or charger identified below will be free from defects in materials and workmanship, including labor costs in connection therewith, when under normal use and service beginning on the original date of purchase and continuing for the corresponding period (each a **"Warranty Period"**). This limited warranty terminates if you transfer the product to any other person or entity.

Molded Body Parts

- All molded body parts, except as indicated below – expected lifetime of the product
 - Super HalfVac® Pro - 3 years
 - All Uprights – 3 years

Motors

- Backpacks (other than specified below), Canisters, Uprights and GoCartVac® products – 3 years or 1600 hours, whichever comes first, subject to your compliance with the following carbon brush replacement and maintenance schedule. Proof of such compliance may be required:
 - 1st change – after the first 800 hours of operation
 - 2nd change – after the next 400 hours of operation
 - 3rd change – after the next 200 hours of operation
- Super Coach Pro 6, Super Coach Pro 10 and ProVac FS 6 products – 3 years or 1900 hours, whichever comes first, subject to your compliance with the following carbon brush replacement and maintenance schedule. Proof of such compliance may be required:
 - 1st change – after the first 1000 hours of operation
 - 2nd change – after the next 500 hours of operation
 - 3rd change – after the next 200 hours of operation
- ProGuard® Wet/Dry 10, 15, 16 MD, 20 – 3 years or 1400 hours, whichever comes first, subject to your compliance with the following carbon brush replacement and maintenance schedule. Proof of such compliance may be required:
 - 1st change – after the first 400 hours of operation
 - 2nd change – after the next 400 hours of operation
 - 3rd change – after the next 300 hours of operation
- Super HalfVac Pro – 1 year
- GoFree® Flex Pro & GoFree Flex Pro II – 2 years
- ProGuard 4 Portable Wet/Dry – 1 year
- ProGuard Li 3 Cordless – 1 year
- ProBlitz® AirMovers – 3 years
- FreeFlex – 2 years

Batteries, Chargers and Battery Packs

- GoFree Flex Pro & GoFree Flex Pro II 6 Ah battery pack – 1 year
- GoFree Flex Pro & GoFree Flex Pro II 12 Ah battery pack and charger – 2 years
- GoCartVac batteries – 6 months
- GoCartVac charger and battery control module – 1 year
- ProGuard Li 3 – 1 Year on battery and charger
- FreeFlex – 2 years

Component Parts

- All component parts not otherwise listed above – 3 years

What is Not Covered - Warranty Exclusions

This limited warranty does not extend to and expressly excludes:

- Normal wear and tear on the product and/or attachments and accessories including, without limitation, extension cords, hoses, filters, switches, carbon motor brushes and other vacuum attachments and accessories not specifically listed.
- Damage or burnout of the product motor resulting from failure to clear a blockage occurring during the normal course of use.
- Loss or damage to the product resulting from conditions beyond ProTeam's control including without limitation, misuse, accident, abuse, neglect, negligence (other than ProTeam's), use beyond listed capacity, or improper installation, maintenance or application.
- Unauthorized modification or alteration.
- Loss or damage to the product resulting from failure to follow the required maintenance schedule, or failure to use the product in accordance with ProTeam's written instructions, guidelines or the terms of its Owner's Manual.
- Lithium Ion Battery Charger limited warranty applies only to defects arising under normal usage. All other damages are expressly excluded.

How to Notify ProTeam

If you discover that your product has a defect that you believe is covered by this limited warranty, you must notify ProTeam or the ProTeam authorized dealer who sold you the product within the applicable Warranty Period. You may contact ProTeam Customer Service department at (866) 888-2168 between the hours of 8:00 a.m. and 5:00 p.m. Central Time or at any time via the fax number or the email address listed in your Owner's Manual or at proteam.emerson.com. Customer service hours may vary and will be updated on the ProTeam website. In order for a warranty claim to be processed as quickly as possible, we suggest that you complete the registration card made available to you on the ProTeam website at proteam.emerson.com. If you do not complete a registration card, you will be required to present a dated sales receipt in order to receive warranty service. Warranty coverage for all products is subject to your compliance with the listed notification and repair procedures. Notification procedures for the GoFree Flex Pro backpack battery pack are set forth below.

What We Will Do to Correct Problems

ProTeam or your local ProTeam authorized dealer will determine whether your claim is covered by this limited warranty, subject to the limitations or exclusions described above, and whether the claim is within the applicable Warranty Period. For all warranty claims other than for the GoFree Flex Pro backpack battery pack, provided your claim is covered under this limited warranty, ProTeam or its authorized dealer will, at ProTeam's sole option and discretion, (a) repair or replace the defective portion of your product or (b) replace your entire product. For GoFree Flex Pro backpack battery packs, your local ProTeam authorized dealer will repair your product, ship your product to an authorized repair facility, or contact ProTeam for a replacement. If ProTeam is unable repair your product or GoFree Flex Pro backpack battery pack or provide you with a suitable replacement, you will receive a refund of your purchase price or a credit to be used toward the purchase of a new product or GoFree Flex Pro backpack battery pack. Products repaired or replaced during the Warranty Period shall be covered for the remainder of the original Warranty Period. Unauthorized repairs or modifications, or use of any parts other than genuine ProTeam parts, will nullify this limited warranty.

GoFree Flex Pro Backpack Battery Pack Notification Procedures

The GoFree Flex Pro backpack battery pack is not field serviceable and must receive special handling instructions for shipping. Contact ProTeam Customer Service at 866.888.2168 for shipping instructions and service options. A Return Authorization Number (RAN) must be issued prior to shipping a product. Please call the Customer Service department number above or visit the ProTeam website to request a RAN. If you have not submitted a completed registration card, you must include a dated, written proof-of-purchase and a statement explaining the nature of the malfunction with the RAN. If there is no local ProTeam authorized dealer, ProTeam's Customer Service department will give you the name and address of the nearest field service representative or will provide you with the RAN and instructions for shipping your product to the ProTeam repair facility.

No Other Express Warranty Applies

THE LIMITED WARRANTIES PROVIDED ABOVE ARE THE SOLE AND EXCLUSIVE WARRANTIES PROVIDED BY PROTEAM TO YOU, AND ARE IN LIEU OF ALL OTHER WARRANTIES, WRITTEN OR ORAL, EXPRESS OR IMPLIED, WHETHER ARISING BY OPERATION OF LAW OR OTHERWISE, INCLUDING, WITHOUT LIMITATION, WARRANTIES OF MERCHANTABILITY OR FITNESS FOR A PARTICULAR PURPOSE, WHETHER OR NOT THE PURPOSE HAS BEEN DISCLOSED AND WHETHER OR NOT THE PRODUCT HAS BEEN SPECIFICALLY DESIGNED OR MANUFACTURED FOR YOUR USE OR PURPOSE. THE FOLLOWING SENTENCE APPLIES ONLY TO CONSUMER PURCHASERS: DISCLAIMERS OF IMPLIED WARRANTIES, INCLUDING WITHOUT LIMITATION, IMPLIED WARRANTIES OF MERCHANTABILITY AND FITNESS FOR A PARTICULAR PURPOSE, SHALL NOT TAKE EFFECT UNTIL THE END OF THE WARRANTY PERIOD. No employee, agent, dealer, or other person is authorized to alter this limited warranty or make any other warranty on behalf of ProTeam. The terms of this limited warranty shall not be modified by ProTeam, the original owner, or their respective successors or assigns.

Limitation of Liability

TO THE EXTENT PERMITTED BY LAW, IN NO EVENT SHALL PROTEAM BE LIABLE FOR ANY INCIDENTAL, SPECIAL, INDIRECT, OR CONSEQUENTIAL DAMAGES, INCLUDING ANY ECONOMIC LOSS, WHETHER RESULTING FROM NONPERFORMANCE, USE, MISUSE OR INABILITY TO USE THE PRODUCT OR PROTEAM'S NEGLIGENCE. SELLER SHALL NOT BE LIABLE FOR DAMAGES CAUSED BY DELAY IN PERFORMANCE AND IN NO EVENT, REGARDLESS OF THE FORM OF THE CLAIM OR CAUSE OF ACTION (WHETHER BASED IN CONTRACT, INFRINGEMENT, NEGLIGENCE, STRICT LIABILITY, OTHER TORT OR OTHERWISE), SHALL PROTEAM'S LIABILITY TO YOU AND/OR YOUR CUSTOMERS EXCEED THE PURCHASE PRICE PAID BY YOU FOR THE PRODUCT. The term "consequential damages" shall include, but not be limited to, loss of anticipated profits, business interruption, loss of use or revenue, cost of capital or loss or damage to property or equipment. Some states do not allow the exclusion or limitation of incidental or consequential damages, so the above limitation may not apply to you.

This limited warranty gives you specific legal rights, and you may also have other rights which vary from State to State.

This limited warranty is governed by the laws of the State of Missouri, U.S.A., without regard to conflicts of law provisions.

Dispute Resolution

In the event of any dispute INCLUDING, BUT NOT LIMITED TO, BREACH OF CONTRACT, BREACH OF WARRANTY, CLAIMS BASED IN TORT, NEGLIGENCE, PRODUCT LIABILITY, FRAUD, MARKETING, STATE OR FEDERAL REGULATIONS, ANY CLAIMS REGARDING THE ENFORCEABILITY OF THIS LIMITED WARRANTY, AND THE WAIVER OF CLASS ACTION TRIALS between PROTEAM AND YOU, either party may choose to resolve the dispute by binding arbitration, as described below, instead of in court. THIS MEANS IF EITHER PROTEAM OR YOU CHOOSE BINDING ARBITRATION, NEITHER PARTY SHALL HAVE THE RIGHT TO LITIGATE SUCH CLAIM IN COURT OR HAVE A JURY TRIAL. DISCOVERY AND APPEAL RIGHTS ARE LIMITED IN BINDING ARBITRATION. ProTeam and You agree that the proper venue if Arbitration is not so chosen by ProTeam OR You of all actions arising in connection herewith shall be only in the state of Missouri and the parties agree to such jurisdiction. No action, regardless of form, arising out of transactions relating to the agreement, may be brought by either party more than two (2) years after the cause of action has accrued. The U.N. Convention on Contracts for the International Sales of Goods shall not apply to this agreement.

Class Action Waiver

BINDING ARBITRATION MUST BE ON AN INDIVIDUAL BASIS. THIS MEANS NEITHER PROTEAM OR YOU MAY JOIN OR CONSOLIDATE CLAIMS IN ARBITRATION BY OR AGAINST OTHERS, OR LITIGATE IN COURT OR ARBITRATE ANY CLAIMS AS A REPRESENTATIVE OR MEMBER OF A CLASS OR IN A PRIVATE ATTORNEY GENERAL CAPACITY.

Administration of Arbitration

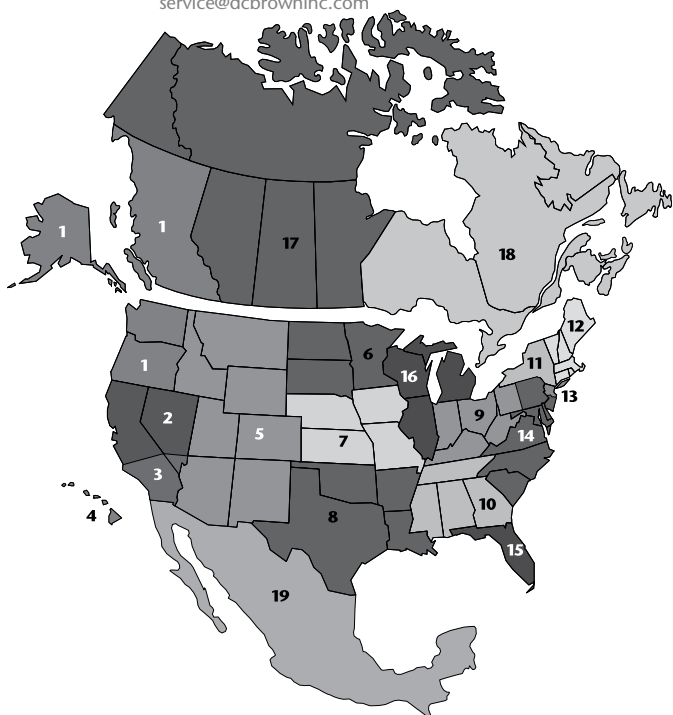
The binding arbitration must be administered by the American Arbitration Association ("AAA") in accordance with its Commercial Arbitration Rules and/or Supplementary Procedures for Consumer-Related Disputes (including proceedings to mitigate costs of travel). This binding arbitration is governed by the Federal Arbitration Act ("FAA") (9 USC §1, et. seq.) and will govern the interpretation and enforcement. The binding arbitration shall be held at a location determined by AAA or at such other location as mutually agreed. In addition to the terms stated above, the following will apply to the binding arbitration: (1) the arbitrator, and not any federal, state, or local court or agency, will have exclusive authority to resolve any dispute relating to the interpretation, applicability, enforceability or formation of this agreement including any claim that all or any part of this agreement is void or voidable; (2) the arbitrator shall apply Missouri law consistent with the FAA.



Please contact the following to find a local distributor who sells ProTeam products.

United States

- | | | |
|--|--|---|
| <p>1 Ryan, Saffel & Associates
AK, WA, OR
423 South 3rd St.
Renton, WA 98055
(425) 277-1200
(800) 869-7053
FAX (425) 271-8282
rsaf@ryansaffel.com</p> <p>2 Nexus
Northern CA, Northern NV
7042 Commerce Circle, Suite B
Pleasanton, CA 94588
(510) 567-1000
(800) 482-6088
FAX (510) 567-1005
brenda@nexus-now.com</p> <p>3 Access Partners
Southern CA, Southern NV
9405 Haven Ave
Rancho Cucamonga, CA 91730
(626) 815-4200
FAX (626) 815-4300
dwright@accesspartners.biz</p> <p>4 EKEA Sales and Marketing
HI
841 Pohukaina Street, Bldg B, Bay 5
Honolulu, HI 96813
(808) 208-8010
rkimura@EKEAsales.com</p> <p>5 Avison Sales Group
MT, ID, WY, UT, CO, AZ, NM, El Paso
4665 Joliet Street
Denver, CO 80239
(303) 373-1940
FAX (303) 371-1557
info@trcmktginc.com</p> <p>6 D.C. Brown, Inc.
ND, SD, MN, Northwest WI
7106 Ohms Lane, Ste. 210
Minneapolis, MN 55439-2129
(952) 896-1890
FAX (952) 896-1970
service@dcbrowninc.com</p> | <p>7 Avison Sales Group
NE, IA, KS, MO
533 N. Lindenwood, Suite A
Olathe, KS 66062
(913) 627-9961
FAX (913) 393-0543
triesgo@midsales.org</p> <p>8 Avison Sales Group
OK, AR, TX, LA
20212-Bldg 3 Hempstead Rd.
Houston, TX 77065
(713) 864-2947
(800) 334-4923
FAX (713) 583-5200
rshiple@demlow.com</p> <p>9 Osborne Sales Group
IN, OH, Western PA, KY, WV
4010 North Bend Road, Suite 101
Cincinnati, OH 45211
(513) 481-6200
(800) 837-4933
FAX (513) 389-3992
sales@osbornegroup.net</p> <p>10 Hinton Sales, Inc.
TN, MS, AL, GA
6659-D Peachtree Industrial Blvd.
Norcross, GA 30092
(770) 326-6455
(800) 344-2638
FAX (770) 326-6189
hsi.inc@hinton-sales.com</p> <p>11 Robert George Sales
Upstate NY
67 Broadmoor Trail
Fairport, NY 14450
(585) 223-5900
(888) 655-6556
FAX (585) 223-5911
dank@rgsales.com</p> | <p>12 Market Advantage Plus
VT, NH, ME, MA, CT, RI
56 Leonard St., Unit 4
Foxboro, MA 02035
(508) 543-3605
FAX (508) 543-7147
info@marketadvantageplus.com</p> <p>13 Avison Sales Group
Northern NJ, Metro NY, Long Island, NY
73 Cedar Avenue
Hershey, PA 17033
(717) 533-3601
(888) 381-8892
FAX (717) 533-4671
avision@avisionsales.com</p> <p>14 Buckley & Associates
Eastern PA, DE, MD, DC, VA, NC, SC,
Southern NJ
4125 Lafayette Center Dr., Suite 150
Chantilly, VA 20151
(703) 631-8138
FAX (703) 631-7841
mbuckley@buckleyrep.com</p> <p>15 Avison Sales Group
FL, Caribbean
3650 Coral Ridge Dr., Suite 112
Coral Springs, FL 33065
(954) 255-5061
(800) 866-0618
FAX (800) 860-0618
info@plexusreps.com</p> <p>16 Avison Sales Group
MI, IL, WI
305 Canal Street
Lemont, IL 60439
(630) 257-0001
FAX (630) 257-0005
lwood@avisionsales.com</p> |
|--|--|---|



Canada

- | | |
|---|--|
| <p>1 British Columbia
Ryan, Saffel & Associates
423 South 3rd St.
Renton, WA 98055
(425) 277-1200
(800) 869-7053
FAX (425) 271-8282
rsaf@ryansaffel.com</p> <p>18 Eastern Canada
McConnell-Spadafora
ON, QC, NB, NS, PEI, NL
850 Legion Road, Unit 4
Burlington, ON Canada L7S 1T5
(905) 681-9563
(866) 700-8889
FAX (905) 681-1727
mcconnellspadafora@cogeco.net</p> | <p>17 Western Canada (except BC)
DKB Marketing, Inc.
AB, MB, SK
117 Tuscany Springs Landing
Calgary, AB Canada T3L 3B9
(403) 861-1176
dbenoit@dkbmarketing.ca</p> |
|---|--|

Outside U.S. and Canada

- 19 **Contact Customer Service**
(866) 888-2168
customerservice.proteam@emerson.com

FOR MORE INFORMATION ABOUT OUR COMPLETE LINE OF COMMERCIAL VACUUMS,
8100 W. Florissant Ave, Building T, St. Louis, MO 63136
866.888.2168 • proteam.emerson.com • customerservice.proteam@emerson.com