

Most Wausau Paper dispensers are ADA Title III compliant when installed according to ADA guidelines. Product is easily dispensed with one hand, with less than 5 lbs. of force, and without tight grasping, pinching or twisting of the wrist.

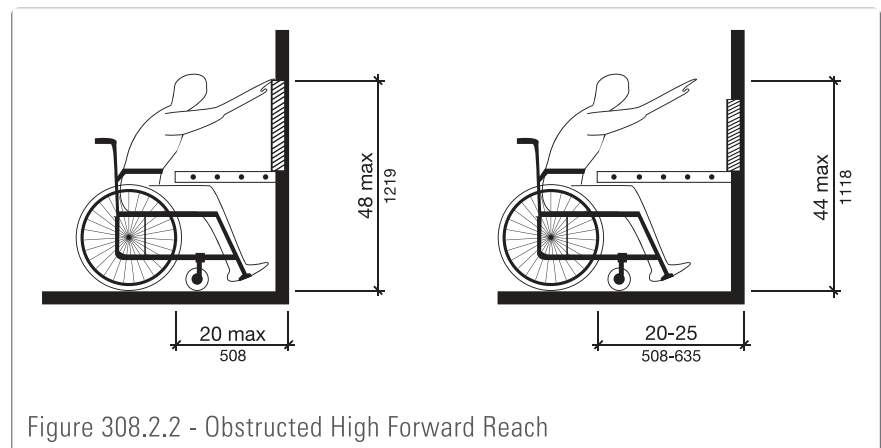
Forward Reach for Wall Mounted Dispensers



308.2.1 Where a forward reach is unobstructed, the high forward reach shall be 48 inches (1220mm) maximum and the low forward reach shall be 15 inches (381mm) minimum above the finish floor or ground. [Section 308.2.1, ADA Accessibility Guidelines]

308.2.2 Where a high forward reach is over an obstruction, the clear floor space shall extend beneath the element for a distance not less than the required reach depth over the obstruction.

The high forward reach shall be 48 inches (1220mm) maximum where the reach depth is 20 inches (510mm) maximum. Where the reach depth exceeds 20 inches (510mm), the high forward reach shall be 44 inches (1120mm) maximum and the reach depth shall be 25 inches (635mm) maximum. [Section 308.2.2, ADA Accessibility Guidelines]

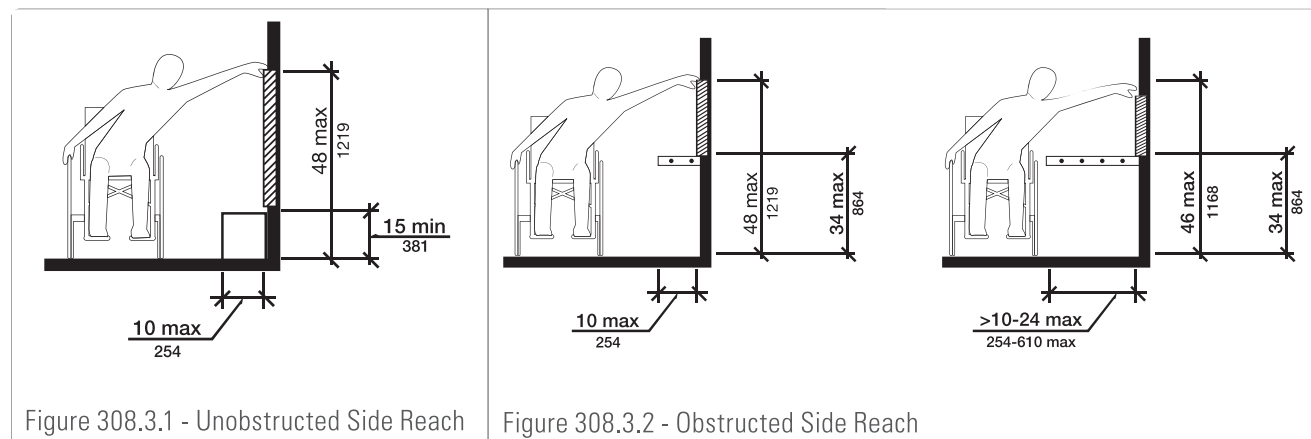


Dispenser Installation and Side Reach Obstructions

308.3.1 Where a clear floor or ground space allows a parallel approach to an element and the side reach is unobstructed, the high side reach shall be 48 inches (1220mm) maximum and the low side reach shall be 15 inches (380mm) minimum above the finish floor or ground.

EXCEPTION

An obstruction shall be permitted between the clear floor or ground space and the element where the depth of the obstruction is 10 inches (255mm) maximum.



308.3.2 Where a clear floor or ground space allows a parallel approach to an element and the high side reach is over an obstruction, the height of the obstruction shall be 34 inches (865mm) maximum and the depth of the obstruction shall be 24 inches (610mm) maximum.

The high side reach shall be 48 inches (1220mm) maximum for a reach depth of 10 inches (255mm) maximum. Where the reach depth exceeds 10 inches (255mm), the high side reach shall be 46 inches (1170mm) maximum for a reach depth of 24 inches (610mm) maximum. [Section 308.3, ADA Accessibility Guidelines]

Dispenser Installation in Water Closets and Toilet Compartments

604.7 Toilet paper dispensers shall comply with section 309.4 and shall be 7 inches (180mm) minimum and 9 inches (230mm) maximum in front of the water closet measured to the centerline of the dispenser. The outlet of the dispenser shall be 15 inches (380mm) minimum and 48 inches (1220mm) maximum above the finish floor and shall not be located behind grab bars. Dispensers shall not be of a type that controls delivery or that does not allow continuous paper flow. [Section 604.7, ADA Accessibility Guidelines]

ADVISORY 604.7 If toilet paper dispensers are installed above the side wall grab bar, the outlet of the toilet paper dispenser must be 48 inches (1220mm) maximum above the finish floor and the top of the gripping surface of the grab bar must be 33 inches (840mm) minimum and 36 inches (915mm) maximum above the finish floor.

